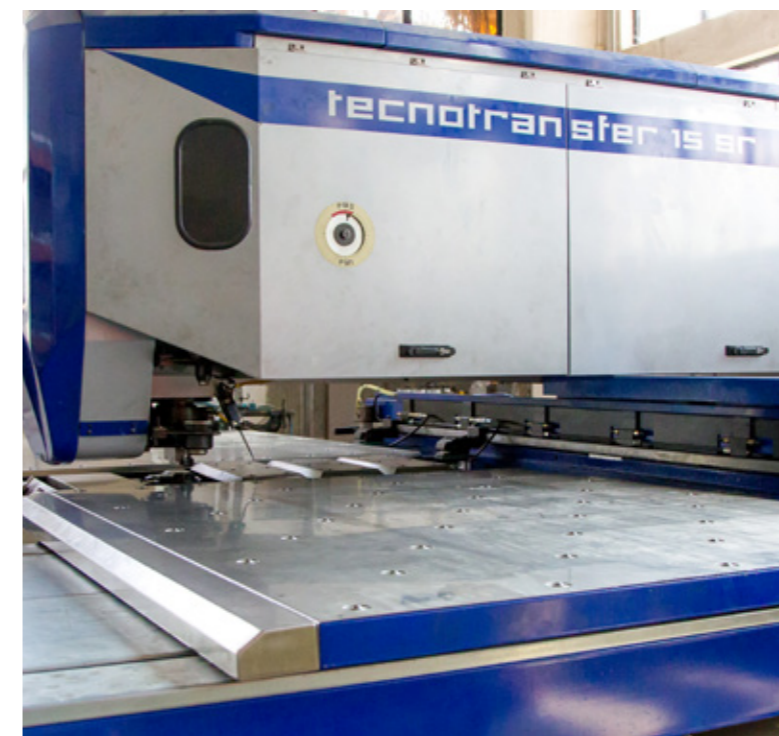


PROFESSIONAL LIGHTING  
**CATALOGUE 2021**



Designed & manufactured in Greece.





# PROFILE



Η εταιρία **Τσόνγκρης - Κονδύλης Ι.Κ.Ε.** ιδρύθηκε το 1969 και έκτοτε αποτελεί μια από τις μεγαλύτερες ελληνικές κατασκευαστικές εταιρείες στα συστήματα φωτισμού. Η εταιρεία, διανύοντας ήδη την έκτη δεκαετία ζωής, έχει δώσει το δυναμικό της παρόν τόσο στην εγχώρια αγορά όσο και στο εξωτερικό. Η συνεχόμενη επιτυχία της οφείλεται στην άριστη γνώση και μελέτη της τεχνολογίας του φωτισμού.

Έχοντας το βλέμμα μας συνεχώς στραμμένο στις εξελίξεις και τις καινοτομίες που προσφέρει η παγκόσμια αγορά του επαγγελματικού φωτισμού, η προσπάθειά μας συνοψίζεται πάντα γύρω από δύο μόνο λέξεις: κατασκευή φωτιστικού. Η μελέτη του φωτιστικού, ο σύγχρονος εξοπλισμός μηχανημάτων, τα σχεδιαστικά προγράμματα και το άρτιο εκπαιδευμένο προσωπικό συμβάλλουν στην επιτυχημένη πορεία της εταιρίας όλα αυτά τα χρόνια.

Το εργοστάσιο μας πληροί όλες τις απαραίτητες προϋποθέσεις για την κατασκευή ποιοτικών φωτιστικών. Ο σχεδιασμός του φωτιστικού καθορίζεται με βάση τις Ευρωπαϊκές προδιαγραφές, την ποιότητα, την ασφάλεια, την ευελιξία και την αντοχή.

Η **Τσόνγκρης - Κονδύλης Ι.Κ.Ε.** δίνει λύσεις φωτισμού για τους εκάστοτε χώρους χρησιμοποιώντας το πρόγραμμα μελέτης φωτισμού Relux και παρέχει την δυνατότητα κατασκευής φωτιστικών σε ειδικές διαστάσεις που καθορίζονται από εσάς. Η σχεδιαστική ομάδα υλοποιεί, προτείνει και κατασκευάζει το φωτιστικό σύμφωνα με τις προτάσεις σας λαμβάνοντας υπόψη όλες τις απαραίτητες παραμέτρους κάθε φορά για την κατασκευή ενός ποιοτικού φωτιστικού.

Η υλοποίηση του φωτιστικού πραγματοποιείται με τελευταίας τεχνολογίας μηχανήματα ακριβείας CNC, στράντζες, ψαλίδια, βαφείο και ένα άρτια εκπαιδευμένο προσωπικό που εγγυάται την ποιότητα της κατασκευής.

Η εταιρία διαθέτει πιστοποίηση κατά ISO 9001:2015.

**Tsongris - Kondilis Ltd.** was founded in 1969 and since then is one of the largest Greek lighting manufacturers. The company, for more than sixty years, has a continuous presence to the Greek market and as well as exports other countries. We owe our long lasting success to the excellent know-how and continuous study of lighting technology.

Firmly committed to the technological advance and innovations offered by the global market of professional lighting, our constant effort has always focused in two words: Luminaire Manufacturing. The study of lighting, traditional methods, modern equipment machinery, design software and specialized staff contribute to the success of the company all these years.

Our factory meets all the necessary specifications for the construction of high quality luminaires. The design of the luminaires is determined and based on European standards, quality, safety, flexibility and endurance.

**Tsongris - Kondilis Ltd.** provides lighting solutions for every space using the Relux software for illumination studies, where the rich database and photometric data provides solutions and recommendations for each application. The designing team proposes, implements and manufactures the luminaires according to the customer needs, taking into account all the necessary parameters for the manufacturing of quality luminaires.

The manufacturing of the luminaire is carried out by cutting edge machinery CNC, press-brakes, shearing tools, air hardening procedure and specialized staff that guaranteeing the quality of the production.

The company is certified according to ISO 9001:2015.

[www.ktlighting.gr](http://www.ktlighting.gr)  
[sales@ktfotismos.gr](mailto:sales@ktfotismos.gr)  
2106645237

# ASSOCIATES

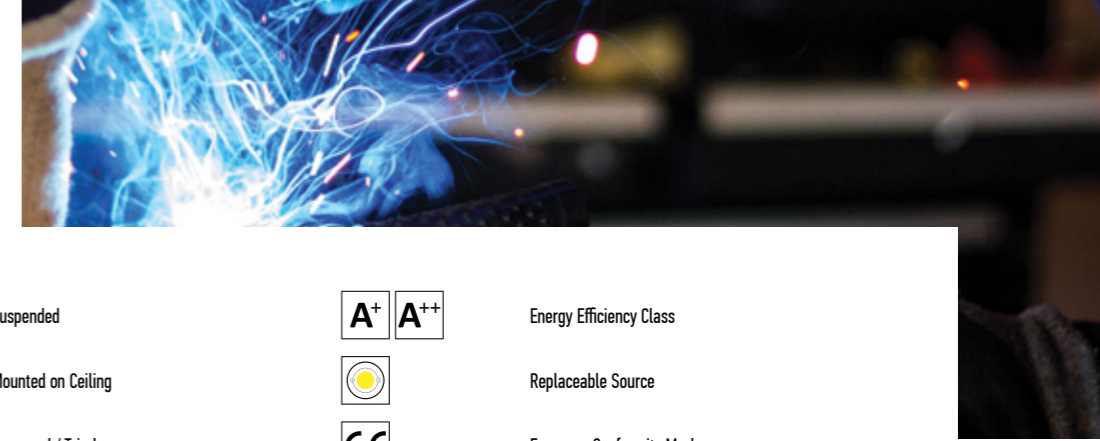


All these years of our factory's operation, the support of our associates was crucial for the design and construction of qualitative luminaires. The selection of associates is part of our development process, as we focus on the variety and the quality of their products.

Our associates are distinguished by their innovative products, as well as their long and successful presence in the held of professional lighting. The trust and the selection of valuable associates enable the support of our luminaires, providing all the necessary guarantees and certifications from our company, as well as from our associates



# SYMBOLS



	Suspended		Energy Efficiency Class
	Mounted on Ceiling		Replaceable Source
	Recessed / Trimless		European Conformity Mark
	Mounted on Wall		Grounding
	Up-Down Suspended / on Wall		Indoors / Outdoors
	Spotlight / Outdoor Projector / on Ground		Lighting Fitting Class I
	Batwing Asymmetrical		Emergency Light
	Hidden Lighting		Rectangular / Round Opening Cut
	Maintaining 70-80-90% of luminosity at 50.000 operating hours		Glass Thickness 4mm
	Optimized heat conduction		Operating voltage of lamp
	Upgradeable: Designed in accordance with regulation ZHAGA Book 7cat. LLE-L28w4		Socket of bulb
	Warranty: 5 years in conjunction with the corresponding driver		Circuit on board
	Luminaire type LED useable		Protection against penetration of solid objects larger than 12mm
	Dimmable / Non Dimmable		Protection against penetration of solid objects larger than 1mm and against splashes of water
	Height / Depth for wall recessed fittings		Protection against penetration of solid objects larger than 1mm and against jets of water
	Diameter / Dimensions		Protection against dust and splashes of water
	Movable / Fixed		Protection against dust and jets of water
	Without gear box / External gear box		Complete protection against dust and jets of water

**CE** All our products have been manufactured and tested in compliance to the general standard for lighting EN60593-1 of the E.E.C. and are marked with CE on their surface and packaging.

All specifications and product codes, may be altered without notice.

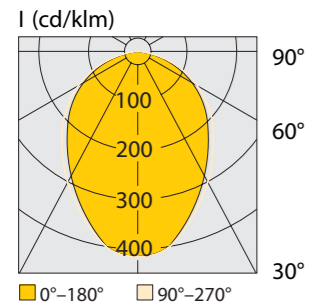
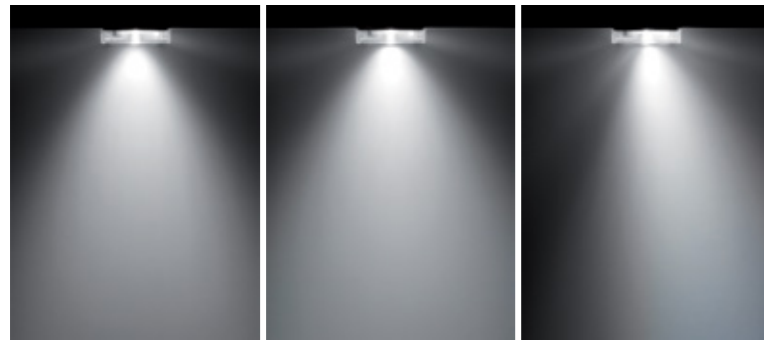
Assembly Instructions for LEDs / For mounting and installing LED components / Mandatory regulations

DIN VDE 0100	Erection of low voltage installations
EN 60598-1	Luminaires - part 1: general requirements and tests
EN 60838-2-2	Miscellaneous lampholders - part 2-2: particular requirements - connectors for LED-modules
EN 61347-1	Lamp controlgear - part 1: general and safety requirements
EN 61347-2-1	Controlgear - part 2-11: particular requirements for miscellaneous electronic circuits used with luminaires
EN 61347-2-13	Lamp controlgear - part 2-13: particular requirements for DC or AC supplied electronic controlgear for LED modules
EN 62031	LED modules for general lighting - safety specifications
EN 62384	DC or AC supplied control gear for LED modules - performance requirements
EN 55015	Limits and methods of measurement of radio disturbance characteristics of electrical lighting and similar equipment
EN 61000-3-2	Electromagnetic compatibility (EMC) - part 3-2: limits - limits for harmonic current emissions (equipment input current = 16 A per phase)
EN 61000-3-3 E	Electromagnetic compatibility (EMC) - part 3-3: limits - limitation of voltage fluctuations and flicker (equipment input current = 16 A per phase)
EN 61547	Equipment for general lighting purposes - EMC immunity requirements
EN 62471	Photobiological safety of lamps and lamp systems

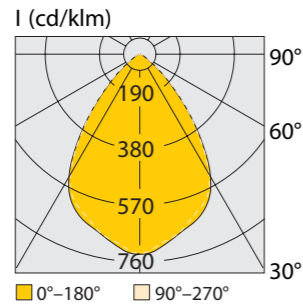


# ΦΩΤΟΜΕΤΡΙΚΕΣ ΚΑΜΠΥΛΕΣ

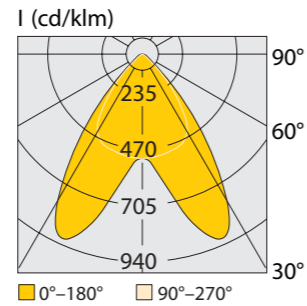
LEDLineSMDKit Gen.2



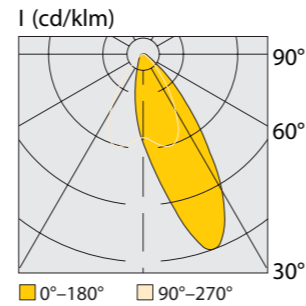
**Diffuse**



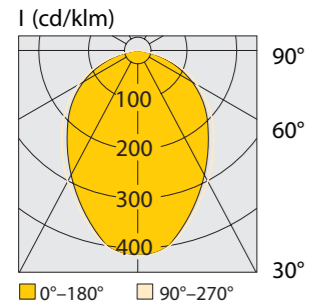
**Standard**



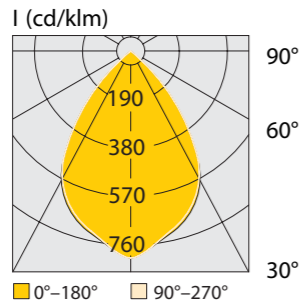
**Retail SYM**



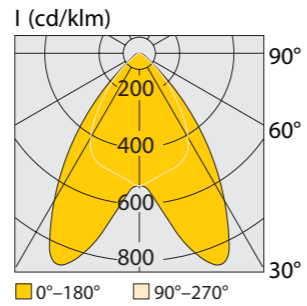
**Retail ASYM**



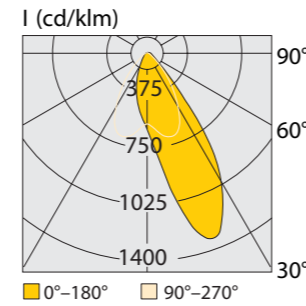
**HB - Diffuse**



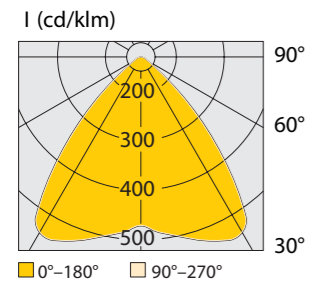
**HB - Standard**



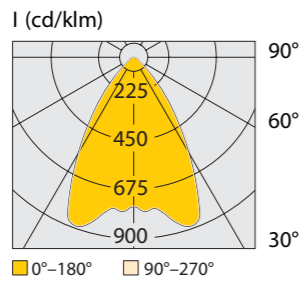
**HB - Retail SYM**



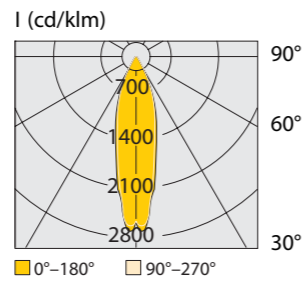
**HB - Retail ASYM**



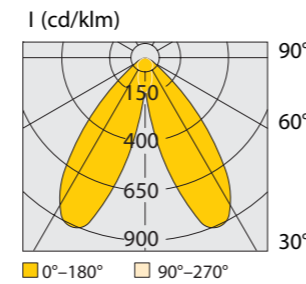
**Extra Wide 110° (preliminary)**



**Wide 60° (preliminary)**



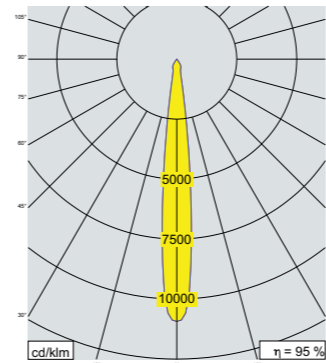
**Narrow 30° (preliminary)**



**Retail SYM II (preliminary)**

# ΦΩΤΟΜΕΤΡΙΚΕΣ ΚΑΜΠΥΛΕΣ

Ανακλαστήρες Αλουμίνιου για Osram και Bridgelux LED πυρήνες

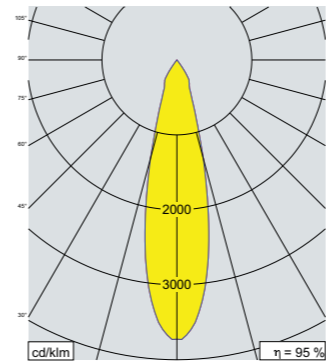


distance [m]	cone diameter [m]	illuminance [lx]
1.0	0.21	E(0°) 54610 E(C0) 6.0° 27377
2.0	0.42	E(0°) 13652 E(C0) 6.0° 6844
3.0	0.63	E(0°) 6068 E(C0) 6.0° 3042
4.0	0.84	E(0°) 3413 E(C0) 6.0° 1711
5.0	1.05	E(0°) 2184 E(C0) 6.0° 1099

Beam angle = 2x 6.0° = 12.0°



Ανακλαστήρας  
12°

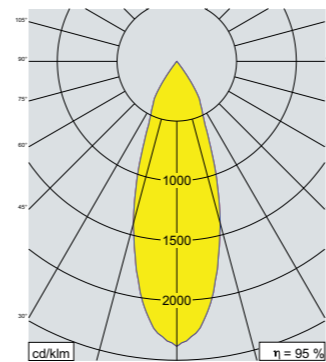


distance [m]	cone diameter [m]	illuminance [lx]
1.0	0.44	E(0°) 18608 E(C0) 12.5° 9156
2.0	0.89	E(0°) 4652 E(C0) 12.5° 2289
3.0	1.33	E(0°) 2068 E(C0) 12.5° 1017
4.0	1.77	E(0°) 1163 E(C0) 12.5° 572
5.0	2.22	E(0°) 744 E(C0) 12.5° 369

Beam angle = 2x 12° = 24.0°



Ανακλαστήρας  
24°

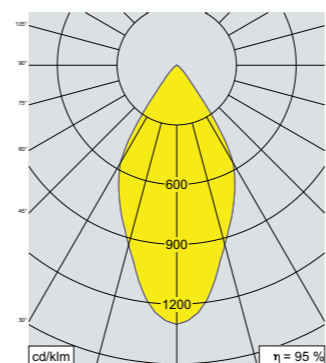


distance [m]	cone diameter [m]	illuminance [lx]
1.0	0.62	E(0°) 11911 E(C0) 17.3° 5708
2.0	1.23	E(0°) 2978 E(C0) 17.3° 1427
3.0	1.85	E(0°) 1323 E(C0) 17.3° 631
4.0	2.46	E(0°) 744 E(C0) 17.3° 357
5.0	3.08	E(0°) 478 E(C0) 17.3° 228

Beam angle = 2x 20° = 40°

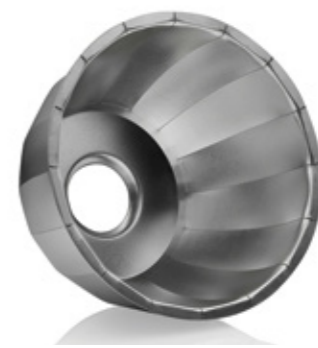


Ανακλαστήρας  
40°



distance [m]	cone diameter [m]	illuminance [lx]
1.0	1.00	E(0°) 6501 E(C0) 26.5° 2918
2.0	1.99	E(0°) 1625 E(C0) 26.5° 738
3.0	2.99	E(0°) 722 E(C0) 26.5° 324
4.0	3.99	E(0°) 406 E(C0) 26.5° 182
5.0	4.99	E(0°) 260 E(C0) 26.5° 112

Beam angle = 2x 30° = 60.0°

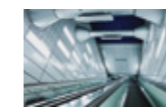


Ανακλαστήρας  
60°

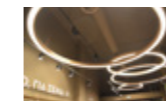
# COLOR CHART

 03 Μαύρο ματ Matte black	 29 Μαύρο Γυαή Illustr. black	 07 Λευκό Γυαή Illustr. white	 01 Λευκό White	 30 Καφέ σκουριά Brown rust	 41 Καφέ σκουριά Brown rust
 47 Καφέ Brown	 02 Λευκό σαγρέ Grained white	 31 Ral 9010 ματ Ral 9010 matte	 40 Κάστανο Σαγρέ	 43 Αλουμίνιο Σαγρέ Μεταίλ. Grained grey	 04 Ανθρακί Dark grey
 33 Λευκό Κρέμ Creme white	 39 Λευκό Μπέζ Beige white	 21 Γκρι Σκούρο Μάτ Military grey	 48 Γκρι Grey	 24 Κάστανο ματ	 21 Ανοδίωση Anodized
 09 Γκρι 7044 Μάτ Grey 7044 matte	 27 Μπλε Πετρόιλ Ocean blue	 26 Αλουμίνιο Aluminium	 46 Γαλάζιο Light blue	 12 Αλουμίνιο Σαγρέ Grained aluminium	 10 Γκρι 7044 Γυαλιστερό Grey 7044 shiny
 29 Πράσινο Σατινέ Satin green	 06 Κυπαρισί Moss green	 45 Πράσινο Green	 13 Λαχανί Yellow green	 11 Πράσινο Πετρόιλ Olive green	 19 Μπλε Ράφ Navy blue
 49 Φούξια Magenta	 38 Πορτοκαλί Orange	 15 Πορτοκαλί 1037 Orange 1037	 14 Κίτρινο Yellow	 22 Χρώμιο Chromium	 17 Κάστανο
 05 Sahara Γκρι Sahara Grey	 16 Μαύρο Σαγρέ Grained black	 36 Μπρουτζίνα Mustard yellow	 18 Χρώμιο ματ Satin nickel	 23 Χρυσό Gold	 28 Χρυσό ματ Satin gold
 20 Οξυντέ Bronze antique					

# CONTENTS



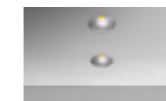
**Linear lights**  
Page 18



**Curves**  
Page 62



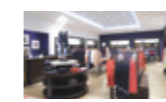
**Spotlight**  
Page 78



**Downlight**  
Page 108



**Loud Speakers**  
Page 146



**Mounted on the ceiling**  
Page 152



**Pendant Lights/ Decoration**  
Page 166



**Compositions**  
Page 188



**Outdoor Wall**  
Page 224



**Outdoor Projectors**  
Page 266



**Outdoor Recessed**  
Page 296



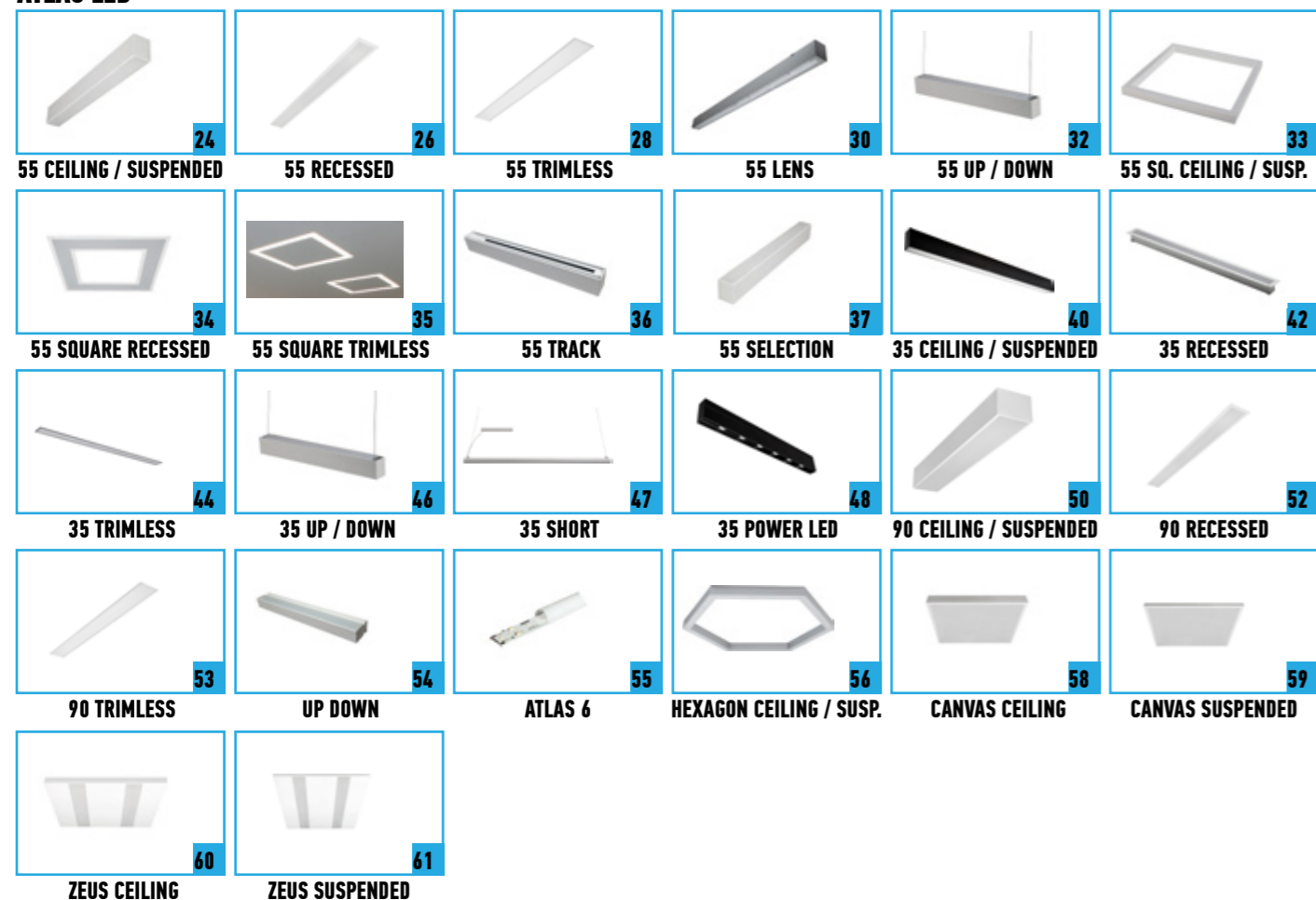
**Garden**  
Page 326



# PRODUCT SUMMARY

## LINEAR LED

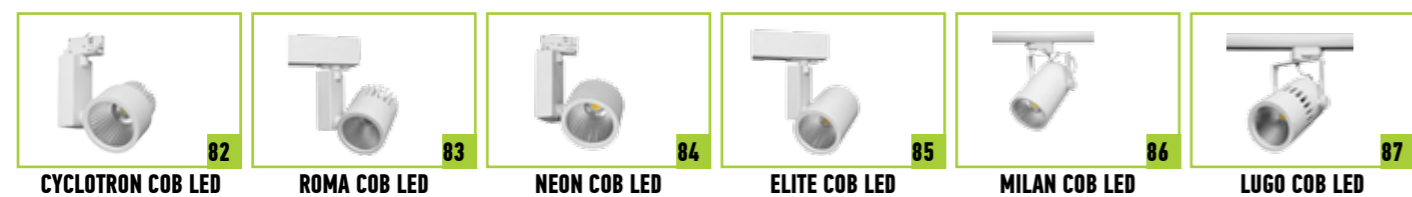
### ATLAS LED



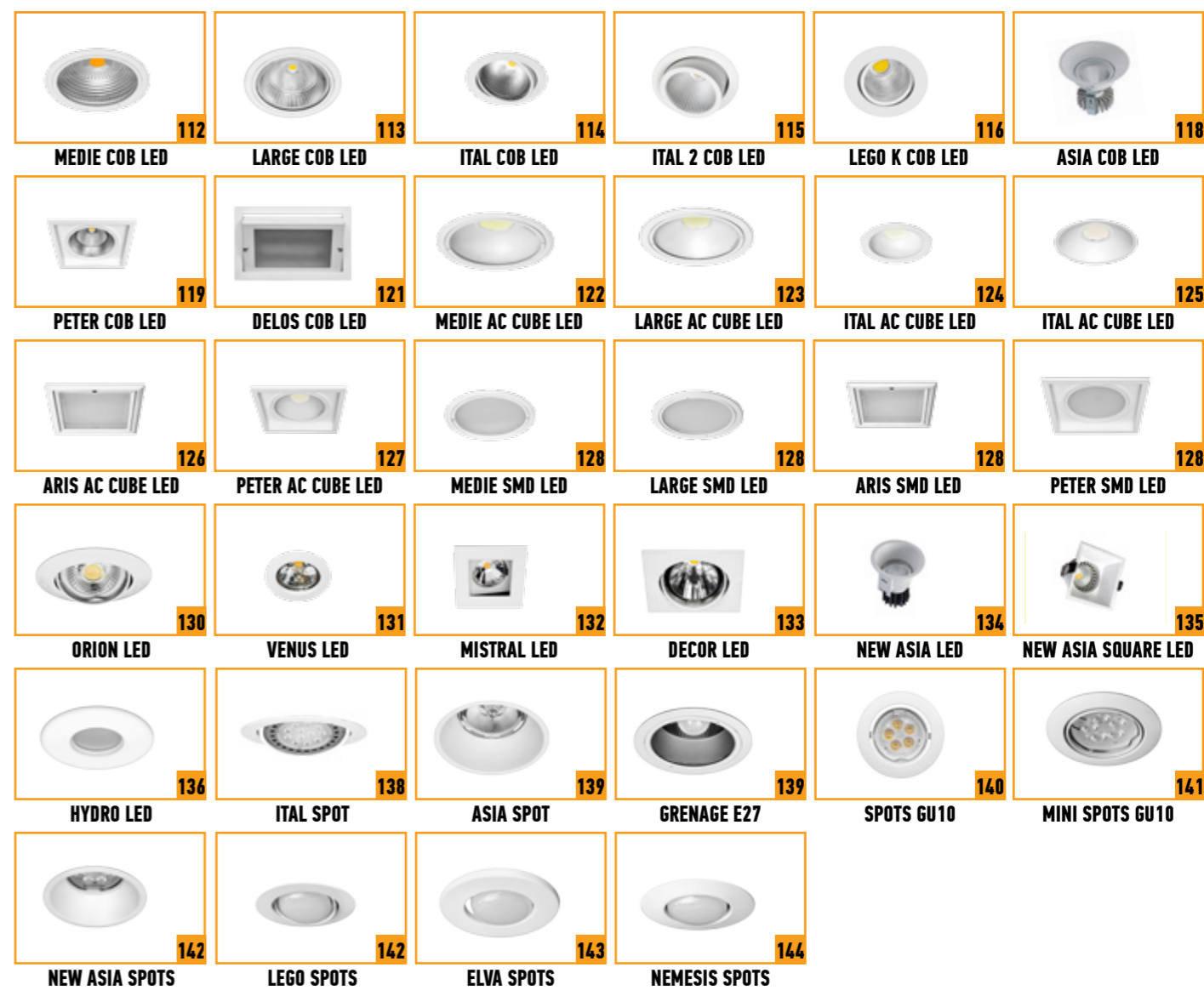
## CURVES



## SPOTLIGHT



## DOWNLIGHT

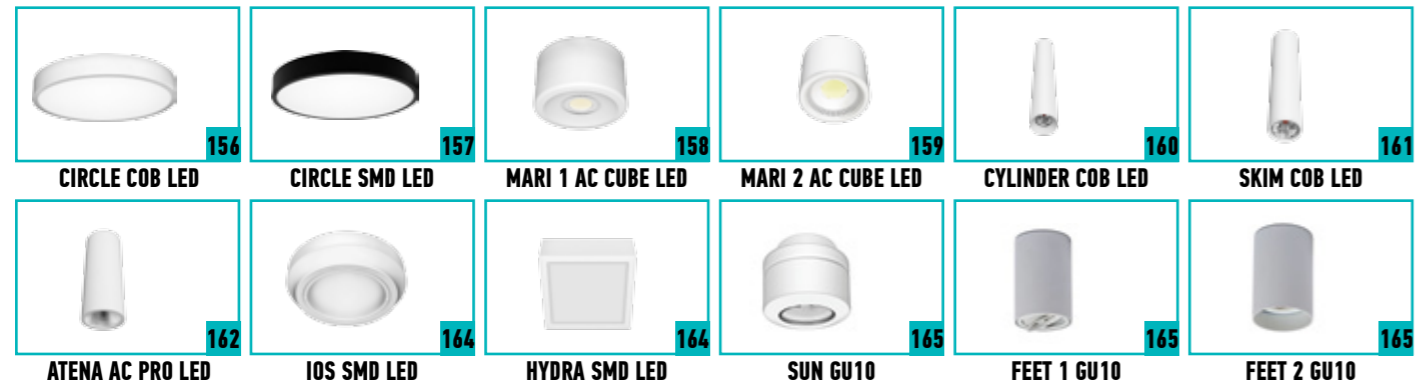




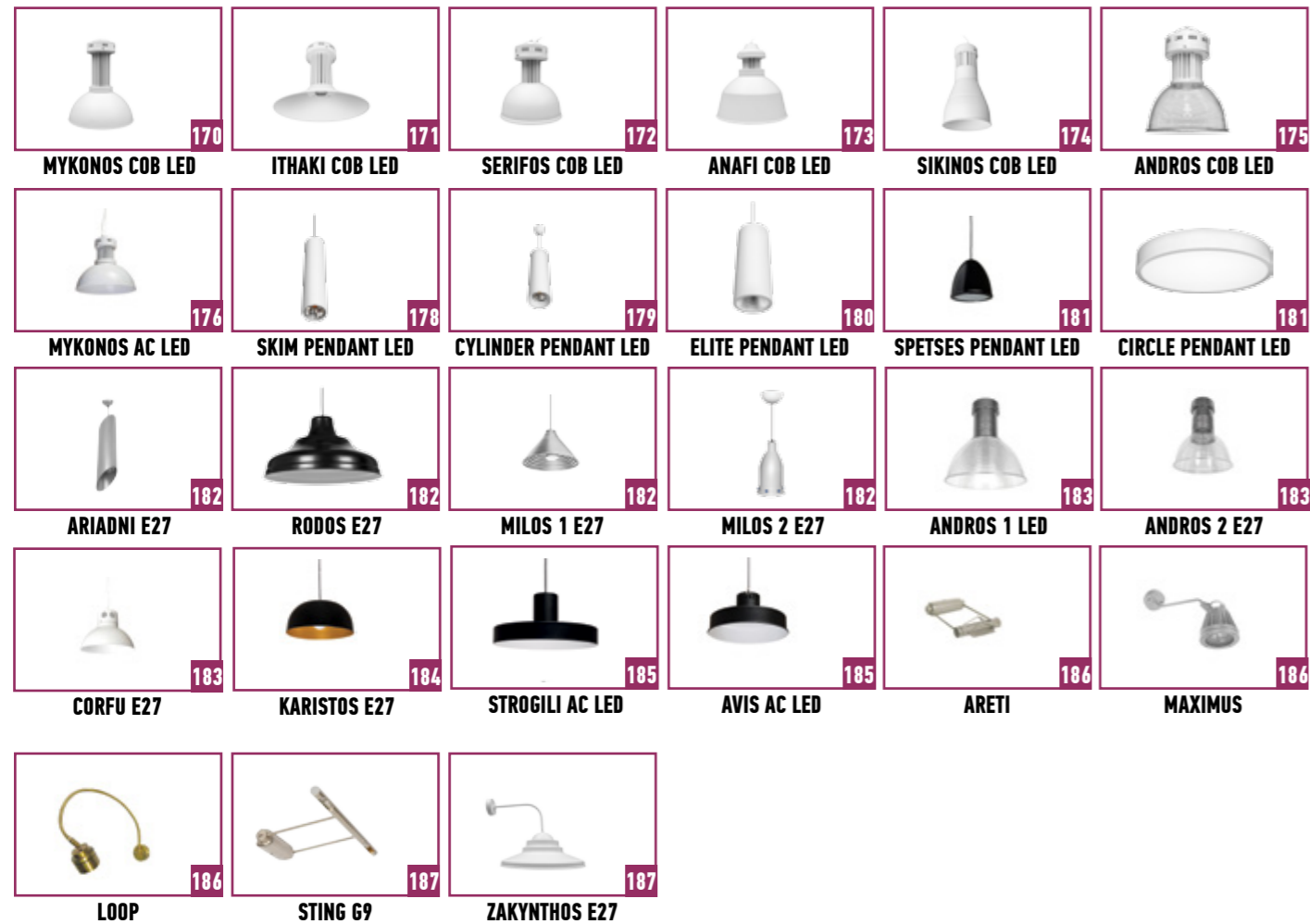
## LOUD SPEAKERS



## MOUNTED ON CEILING



## PENDANT - DECORATION



## COMPOSITION

























## OUTDOOR





























## OUTDOOR PROJECTORS

 271	 272	 274	 276	 277	 278
SIENA AC PRO LED	SIENA COB LED	SIENA R111 E27	VITA S COB LED	VITA L COIN LED	VITA S GU10
 279	 280	 281	 282	 283	 284
VITA L R111 E27	OXYGEN COB LED	OXYGEN GU10	FOCUS GROUND LED	FOCUS GROUND GU10	ALFA AC LED
 286	 287	 287	 289	 290	 291
TANGO GU10	LUNA GU10	CHIOS GU10	ALFA AC BRASS LED	OXYGEN BRASS COB LE	OXYGEN BRASS GU10
 292	 293	 294			
FOCUS 1 BRASS COB LED	FOCUS 1 BRASS GU10	CHIOS BRASS GU10			

## OUTDOOR RECESSED

 298	 300	 302	 303	 304	 305
SIENA AC LED	SIENA R111 E27	VITA S2 COB LED	VITA L2 COIN LED	VITA S2 GU10	VITA L2 R111 E27
 306	 307	 308	 309	 310	 312
OXYGEN 2 COB LED	OXYGEN 2 GU10	OXYGEN 3,4,5 GU10	ALFA 2 AC LED	TANGO 2,3,4 GU10	LUNA 2
 312	 314	 316	 316	 317	 318
CHIOS 2	REMO COB LED	REMO E27	CRONO G9	HERMES E27	ALFA 2 AC LED BRASS
 319	 320	 321	 322	 324	 325
DELTA BRASS	OXYGEN 2 BRASS COB LED	OXYGEN 2 BRASS GU10	CHIOS 2 BRASS	PLUS	POLES

## GARDEN

 330	 331	 332	 333	 334	 335
TOWER AC LED	HOPE AC LED	BRIDGE	EIFFEL LED	FOC LED	FOCER LED
 336	 337	 338	 338	 339	 339
ECO LED	STATUS LED	STATUS E27	FAROS E27	MINOS E27	FOSS E27
 340	 340	 341	 341	 342	 343
TOWER GU10	FOC GU10	HOPE GU10	FOCER GU10	FOC GU10	FOCER BRASS LED
 344	 345	 345	 345	 346	 347
EIFFEL BRASS LED	FOC BRASS LED	FOCER BRASS LED	FAROS BRASS LED	IONIA COB LED	POSEIDON COB LED
 348	 349				
STILOS	IRA				

# LINEAR LIGHTS





# ATLAS LED

35 - 55 - 90

Opal Diffuser



Light Absorption: 8,3%  
Angle Diffusion: >90°  
For general use  
(not suitable PC tasks).

Micropismatic



Light Absorption: 10%  
Angle Diffusion: 60°  
For offices and  
work spaces.

Striped Diffuser



Light Absorption: 10%  
For applications with  
smaller UGR.  
For extra comfort.

BODY  
SOURCE  
ELECTRIC EQUIPMENT  
OPTIC EQUIPMENT

Extruded aluminum, powder coated or anodized  
PrevalLED Linear LED Module of European origin  
Constant Current LED Driver: On/Off • Dali • Dim 1-10V with Dimmer • Phase Cut  
made from PMMA



WHITE (01)



BLACK (03)



ANODIZED (26)



MARBLE (53)



WALNUT (52)



BIRCH (54)



WENGE (51)

CHARACTERISTICS

CRi 80 • CCT 3000K - 4000K • Colour Consistency 3 - 4 SDCM • Ingress Protection IP 20  
LOR 78 • Power Factor >0,92

UPON REQUEST  
REGULATION

Constant Lumen Operation • CRi 90

SPECIAL APPLICATIONS

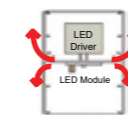
Manufactured in accordance with the Regulation EN 60598-1 and CE 93/68 EOK

AVAILABLE COLORS

Combination of architectural and decorative lighting

	APP. 1			APP. 2			APP. 3		
	4000K	3000K		4000K	3000K		4000K	3000K	
LENGTH (mm)	LUMEN		WATT	LUMEN		WATT	LUMEN		WATT
580	1900	1803	13.6	2943	2792	17.5	4100	3800	23.4
860	2850	2704	20.4	4415	4188	26.3	6150	5700	35.1
1140	3800	3606	27.2	5887	5584	35.1	8200	7600	46.8
1420	4750	4507	34	7358	6980	43.8	10250	9500	58.5
1700	5700	5408	40.8	8830	8376	52.6	12300	11400	70.2
1980	6650	6310	47.6	10302	9772	61.4	14350	13300	81.9
2260	7600	7211	54.4	11773	11168	70.1	16400	15200	93.6
2540	8550	8113	61.2	13245	12564	78.9	18450	17100	105.3
2820	9500	9014	68	14717	13960	87.7	20500	19000	117
3100	10450	9915	74.8	16188	15356	96.4	22550	20900	128.7
3380	11400	10817	81.6	17660	16752	105.2	24600	22800	140.4
3660	12350	11718	88.4	19132	18148	114.0	26650	24700	152.1
3940	13300	12620	95.2	20603	19544	122.7	28700	26600	163.8
4220	14250	13521	102	22075	20940	131.5	30750	28500	175.5
4500	16150	14422	115.6	23547	22336	140.3	34850	32300	198.9

✓ **Tc:45°C**  
Optimized heat conduction through "H" design extrusion



✓ **Seamless**  
Continuous illumination with linear or angular application



Maintaining 80% of luminosity at 50.000 operating hours



5 years Warranty in conjunction with the corresponding driver.



**ATLAS LED 55**  
MOUNTED ON WALL / CEILING - SUSPENDED



A premium LED luminaire, made of high quality extruded aluminum profile, which provides 120° continuous lighting.

Available in multiple dimensions and finishes (powder coated or anodized). Suitable for professional and/or commercial spaces and stores.

Optimal heat conduction through "H" designed aluminum extrusion.

Seamless lighting in linear or angular application.

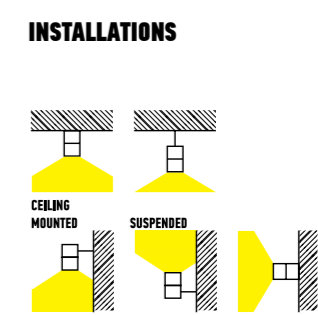
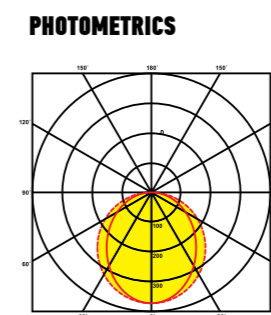
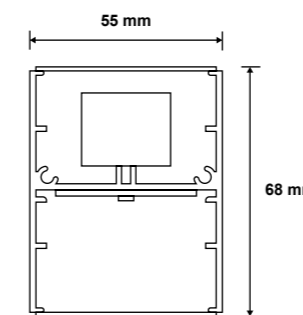
Code 96501 for mounting set, up to 1,5m long.

2 or more mounting sets required for suspended lights.

Base available for up-down installation.

CODE*	INSET	LENGTH (cm)		CRI	CCT	DRIVER	OPTIC	COLORS		
91	LOW (1)	058	282	80 (8)	3000 (30)	ON-OFF (C)	OPAL (0)	WHITE (01)		
		086	310					BLACK (03)		
	MEDIUM (2)	114	338			PUSH BUTTON (B)	STRIPED (S)	ANOD- IZED (26)		
		142	366					WALNUT (52)		
	HIGH (3)	170	394			90 (9)	4000 (40)	PHASE CUT (P)	MICRO- PRIS- MATIC (M)	BIRCH (54)
								DALI (D)		WENGE (51)
SAFETY (S)				MARBLE (53)						
FINAL CODE										
91	- (INSET)	--- (LENGTH)		- (CRI)	-- (CCT)	- (DRIVER)	- (OPTIC)	-- (COLORS)		

\*To create the final product code add after their original prefix the orange numbers or letters, inside the parentheses, according to your choice.



# ATLAS LED 55

RECESSED



A premium LED luminaire, made of high quality extruded aluminum profile, which provides 120° continuous lighting.

Available in multiple dimensions and finishes (powder coated or anodized).

Suitable for professional and/or commercial spaces and stores.

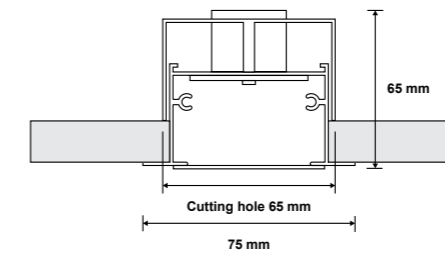
Optimal heat conduction through "H" designed aluminum extrusion.

Seamless lighting in linear or angular application.

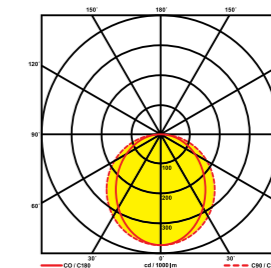


CODE*	INSET	LENGTH (cm)		CRI	CCT	DRIVER	OPTIC	COLORS	
81	LOW (1)	058	282	80 (8)	3000 (30)	ON-OFF (C)	OPAL (0)	WHITE (01)	
		086	310					BLACK (03)	
	MEDIUM (2)	114	338			PUSH BUTTON (B)	1-10V (V)	STRIPED (S)	ANODIZED (26)
		142	366						WALNUT (52)
	HIGH (3)	170	394			PHASE CUT (P)	4000 (40)	MICRO-PRIS-MATIC (M)	BIRCH (54)
		198	422						WENGE (51)
226		450	MARBLE (53)						
FINAL CODE									
81	- (INSET)	--- (LENGTH)		- (CRI)	-- (CCT)	- (DRIVER)	- (OPTIC)	-- (COLORS)	

\*To create the final product code add after their original prefix the orange numbers or letters, inside the parentheses, according to your choice.

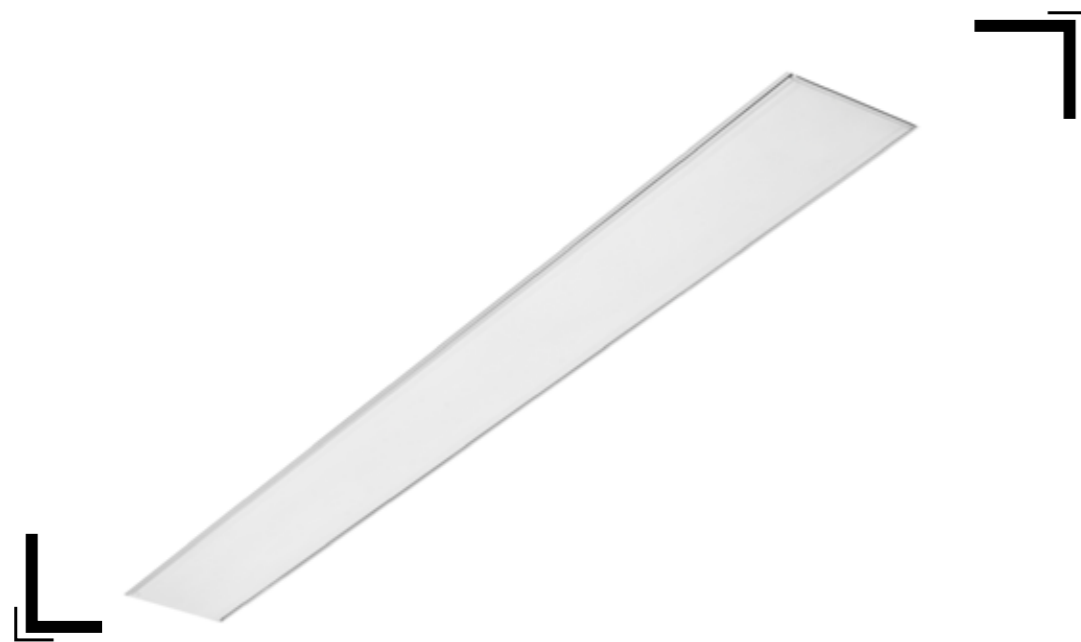


### PHOTOMETRICS



# ATLAS LED 55

TRIMLESS



A premium LED luminaire, made of high quality extruded aluminum profile, which provides 120° continuous lighting.

Available in multiple dimensions and finishes (powder coated or anodized)

Suitable for professional and/or commercial spaces and stores.

Optimal heat conduction through "H" designed aluminum extrusion.

Seamless lighting in linear or angular application.

Corner bead included for easy ceiling mounting.

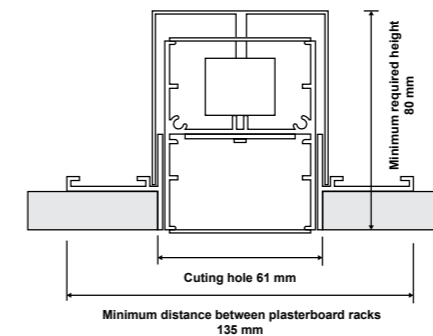
Ability for total or partial or mounting.



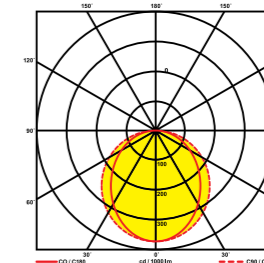
Ability to adjust luminaire's height.

CODE*	INSET	LENGTH (cm)		CRI	CCT	DRIVER	OPTIC	COLORS
71	LOW (1)	058	282	80 (8)	3000 (30)	ON-OFF (C)	OPAL (0)	WHITE (01)
		086	310					BLACK (03)
	MEDIUM (2)	114	338			1-10V (V)	STRIPED (S)	ANODIZED (26)
		142	366					WALNUT (52)
	HIGH (3)	170	394			PHASE CUT (P)	MICRO-PRIS-MATIC (M)	BIRCH (54)
		198	422					DALI (D)
226		450	SAFETY (S)	MARBLE (53)				
FINAL CODE								
71	- (INSET)	--- (LENGTH)		- (CRI)	-- (CCT)	- (DRIVER)	- (OPTIC)	-- (COLORS)

\*To create the final product code add after their original prefix the orange numbers or letters, inside the parentheses, according to your choice.



### PHOTOMETRICS





**ATLAS LED 55 LENS**  
MOUNTED ON WALL / CEILING - SUSPENDED



A premium LED luminaire, made of high quality extruded aluminum profile, which provides 60° continuous lighting.

Available in multiple dimensions and finishes (powder coated or anodized).

Suitable for professional and/or commercial spaces and stores.  
Available with linear louvers for lower UGR.

Optimal heat conduction through "H" designed aluminum extrusion.

Seamless lighting in linear or angular application.  
Optical Medium: PMMA Opal Diffuser, 60°, 110°, Asymmetric, Batwing Code 96501 for mounting set, up to 1,5m long.

2 or more mounting sets required for suspended lights.

Base available for up-down installation.  
Inset: From 4550 Lm – 144 Lm/Watt To 7000 Lm – 160 Lm/Watt



Louver Oval

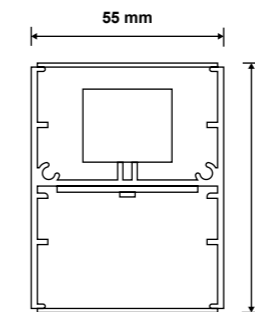


Flat

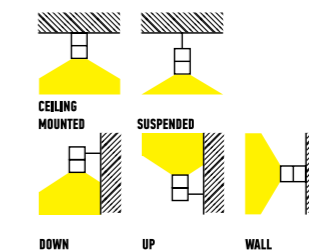
CODE*	INSET	LENGTH (cm)	CRI	CCT	DRIVER	OPTIC	COLORS
L1	20.9 (20)	058	80 (8)	3000 (30)	ON-OFF (C)	FLAT (F)	WHITE (01)
	30.4 (30)	086					BLACK (03)
L2	41.9 (41)	114			PUSH BUTTON (B)		ANODIZED (26)
	52.4 (51)	142			1-10V (V)		WALNUT (52)
L3	62.9 (61)	170		4000 (40)	PHASE CUT (P)	LOUVER OVAL (O)	BIRCH (54)
	73.4 (71)	198			DALI (D)		WENGE (51)
L4	83.4 (82)	226			SAFETY (S)		MARBLE (53)
FINAL CODE							
-- (LENS)	- (INSET)	--- (LENGTH)	- (8)	-- (CCT)	- (DRIVER)	- (OPTIC)	-- (COLORS)

\*To create the final product code add after their original prefix the orange numbers or letters, inside the parentheses, according to your choice.

	Lm/Watt
4000K	140
3000K	122



INSTALLATIONS



L1: 30° WIDE  
L2: EXTRA WIDE  
L3: ASSIMETRIC  
L4: BATWING



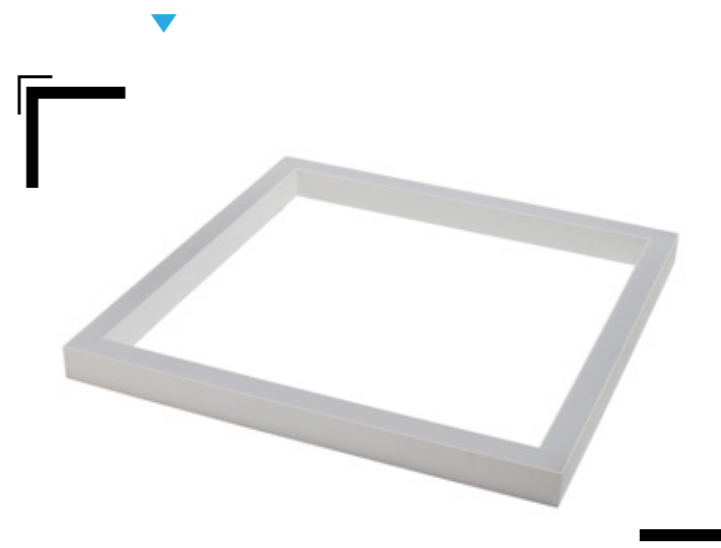
### ATLAS LED 55 UP DOWN

MOUNTED ON WALL - SUSPENDED



### ATLAS SQUARE LED 55

MOUNTED ON CEILING - SUSPENDED



A premium LED luminaire, made of high quality extruded aluminum profile, which provides 120° continuous lighting.

Available in multiple dimensions and finishes (powder coated or anodized).

Suitable for professional and/or commercial spaces and stores.

Optimal heat conduction through "H" designed aluminum extrusion.

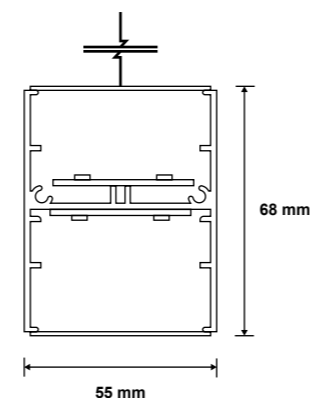
Seamless lighting in linear or angular application.

Code 96501 for mounting set, up to 1,5m long.

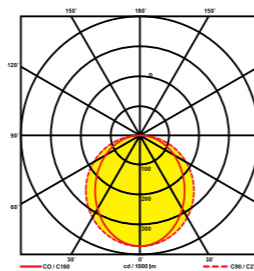
4 or more mounting sets required for suspended lights.

A premium LED luminaire, made of high quality extruded aluminum profile, which provides 120° continuous lighting. Available in multiple dimensions and finishes (powder coated or anodized). Suitable for professional and/or commercial spaces and stores. Optimal heat conduction through "H" designed aluminum extrusion. Seamless lighting in linear or angular application. Code 96501 for mounting set, up to 1,5m long. 2 or more mounting sets required for suspended lights. Base available for up-down installation.

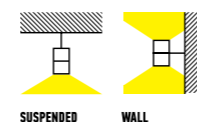
CODE*	INSET	LENGTH (cm)		CRI	CCT	DRIVER	OPTIC	COLORS	
95	LOW (1)	058	282	80 (8)	3000 (30)	ON-OFF (C)	OPAL (0)	WHITE (01)	
		086	310					BLACK (03)	
	MEDIUM (2)	114	338					ANODIZED (26)	
		142	366	WALNUT (52)					
	HIGH (3)	170	394		PHASE CUT (P)	MICRO-PRISMATIC (M)	BIRCH (54)		
		198	422				WENGE (51)		
		226	450	MARBLE (53)					
	FINAL CODE								
	95	(INSET)	(LENGTH)		(CRI)	(CCT)	(DRIVER)	(OPTIC)	(COLORS)



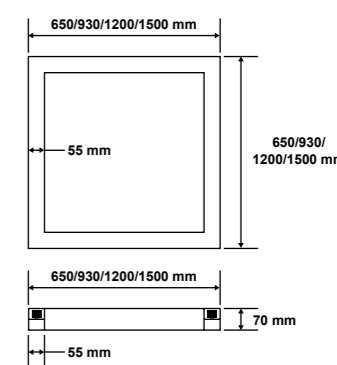
PHOTOMETRICS



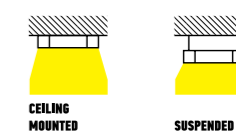
INSTALLATIONS



CODE*	INSET	LENGTH (cm)		CRI	CCT	DRIVER	OPTIC	COLORS	
96	LOW (1)	065		80 (8)	3000 (30)	ON-OFF (C)	OPAL (0)	WHITE (01)	
								BLACK (03)	
	MEDIUM (2)	093						ANODIZED (26)	
				WALNUT (52)					
	HIGH (3)	120			PHASE CUT (P)	MICRO-PRISMATIC (M)	BIRCH (54)		
		150					WENGE (51)		
				MARBLE (53)					
	FINAL CODE								
	96	(INSET)	(LENGTH)		(CRI)	(CCT)	(DRIVER)	(OPTIC)	(COLORS)

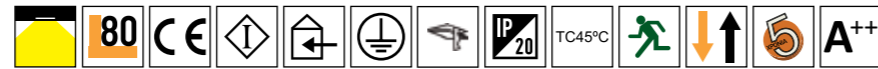


INSTALLATIONS



\*To create the final product code add after their original prefix the orange numbers or letters, inside the parentheses, according to your choice.

\*To create the final product code add after their original prefix the orange numbers or letters, inside the parentheses, according to your choice.



## ATLAS SQUARE LED 55

RECESSED



A premium LED luminaire, made of high quality extruded aluminum profile, which provides 120° continuous lighting.

Available in multiple dimensions and finishes (powder coated or anodized).

Suitable for professional and/or commercial spaces and stores.

Optimal heat conduction through "H" designed aluminum extrusion.

Seamless lighting in linear or angular application.

## ATLAS SQUARE LED 55

TRIMLESS



A premium LED luminaire, made of high quality extruded aluminum profile, which provides 120° continuous lighting.

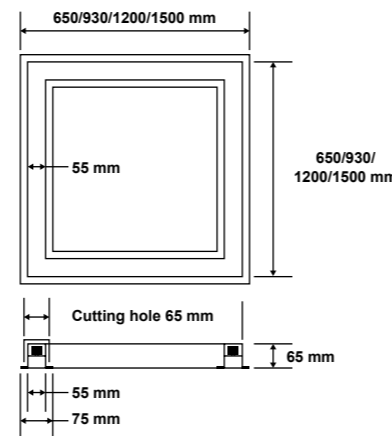
Available in multiple dimensions and finishes (powder coated or anodized).

Suitable for professional and/or commercial spaces and stores.

Optimal heat conduction through "H" designed aluminum extrusion.

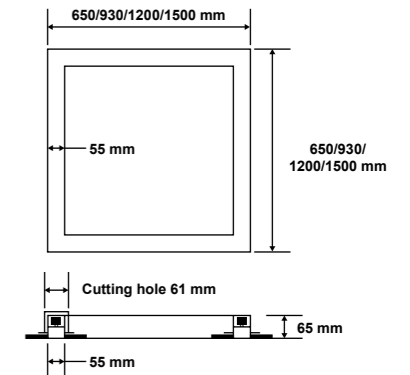
Seamless lighting in linear or angular application.

CODE*	INSET	LENGTH (cm)	CRI	CCT	DRIVER	OPTIC	COLORS
98	LOW (1)	065	80 (8)	3000 (30)	ON-OFF (C)	OPAL (0)	WHITE (01)
							BLACK (03)
							ANODIZED (26)
	MEDIUM (2)	093			PUSH BUTTON (B)	STRIPED (S)	WALNUT (52)
							1-10V (V)
							PHASE CUT (P)
	HIGH (3)	120	DALI (D)	MICRO- PRISMATIC (M)	BIRCH (54)		
					150	SAFETY (S)	WENGE (51)
							MARBLE (53)
FINAL CODE							
98	- (INSET)	--- (LENGTH)	- (CRI)	-- (CCT)	- (DRIVER)	- (OPTIC)	-- (COLORS)



\*To create the final product code add after their original prefix the orange numbers or letters, inside the parentheses, according to your choice.

CODE*	INSET	LENGTH (cm)	CRI	CCT	DRIVER	OPTIC	COLORS
97	LOW (1)	065	80 (8)	3000 (30)	ON-OFF (C)	OPAL (0)	WHITE (01)
							BLACK (03)
							ANODIZED (26)
	MEDIUM (2)	093			PUSH BUTTON (B)	STRIPED (S)	WALNUT (52)
							1-10V (V)
							PHASE CUT (P)
	HIGH (3)	120	DALI (D)	MICRO- PRISMATIC (M)	BIRCH (54)		
					150	SAFETY (S)	WENGE (51)
							MARBLE (53)
FINAL CODE							
97	- (INSET)	--- (LENGTH)	- (CRI)	-- (CCT)	- (DRIVER)	- (OPTIC)	-- (COLORS)



\*To create the final product code add after their original prefix the orange numbers or letters, inside the parentheses, according to your choice.



## ATLAS LED 55 TRACK

MOUNTED ON CEILING - SUSPENDED - TRIMLESS



Available in multiple dimensions and finishes (powder coated or anodized).

Suitable for professional and/or commercial spaces and stores.

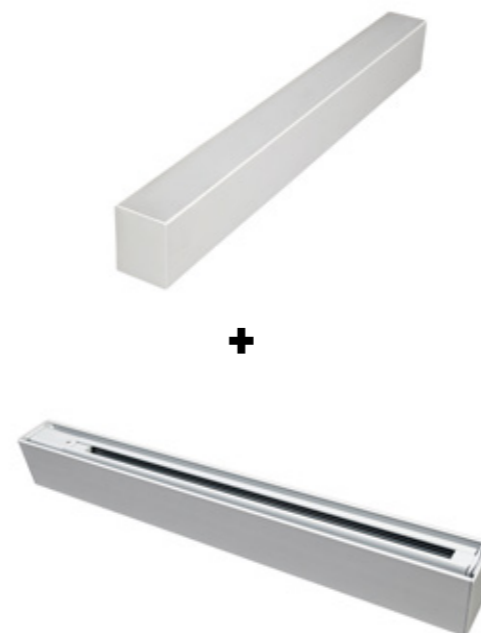
With built-in 3 phase track for plug n' play installation.

Designed for ceiling, pendant and trimless applications.

## ATLAS 55 SELECTION

MOUNTED ON CEILING - SUSPENDED

### COMBINATION EXAMPLE



Available in multiple dimensions and finishes (powder coated or anodized).

Suitable for professional and/or commercial spaces and stores.

Ability for combination of linear lights with a wide range of tracklights with adapter.

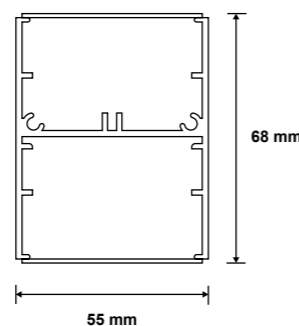
Placement of three phase track anywhere into the profile, to cover all desirable places of spotlight use.

Optimal heat conduction through "H" designed aluminum extrusion.

Code 96501 for mounting set, up to 1,5m long.

2 or more mounting sets required for suspended lights.

CODE*	INSET	LENGTH (cm)	COLORS
9	CEILING (1)	050	WHITE (01)
		100	
	SUSPENDED (2)	150	BLACK (03)
		200	
	TRIMLESS (3)	250	ANODIZED (26)
RECESSED (4)	300		
FINAL CODE			
9	- (INSET)	--- (LENGTH)	-- (COLORS)



\*To create the final product code add after their original prefix the orange numbers or letters, inside the parentheses, according to your choice.

## LINEAR LIGHTS

### ATLAS LED 55 CLOSED

MOUNTED ON CEILING - SUSPENDED - RECESSED



Available in multiple dimensions and finishes (powder coated or anodized).

Suitable for professional and/or commercial spaces and stores.

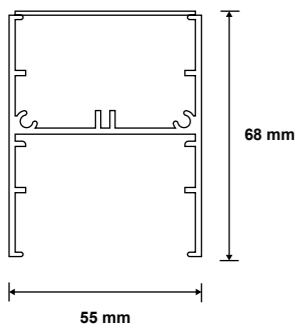
Optimal heat conduction through "H" designed aluminum extrusion.

Code 96501 for mounting set, up to 1,5m long.

2 or more mounting sets required for suspended lights.

Many tracklight options available.

CODE	LENGTH (cm)
915405	50
915410	100
915415	150





**ATLAS LED 35**  
MOUNTED ON WALL / CEILING - SUSPENDED



A premium LED luminaire, made of high quality extruded aluminum profile, which provides 120° continuous lighting.

Available in multiple dimensions and finishes (powder coated or anodized). Suitable for professional and/or commercial spaces and stores.

Optimal heat conduction through "H" designed aluminum extrusion.

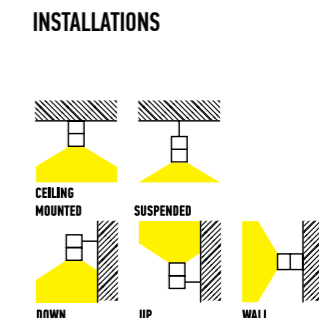
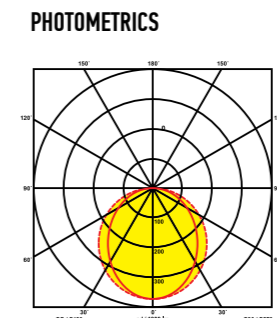
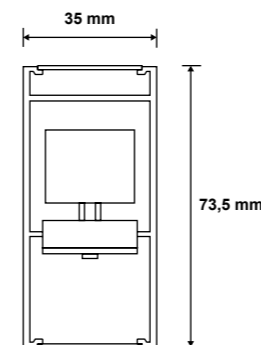
Seamless lighting in linear or angular application. Code 96501 for mounting set, up to 1,5m long.

2 or more mounting sets required for suspended lights.

Base available for up-down installation.

CODE*	INSET	LENGTH (cm)		CRI	CCT	DRIVER	OPTIC	COLORS		
20	LOW (1)	058	282	80 (8)	3000 (30)	ON-OFF (C)	OPAL (0)	WHITE (01)		
		086	310					BLACK (03)		
	MEDIUM (2)	114	338					PUSH BUTTON (B)	ANODIZED (26)	
		142	366			WALNUT (52)				
	HIGH (3)	170	394			DALI (D)		4000 (40)	BIRCH (54)	
		198	422						WENGE (51)	
		226	450	SAFETY (S)	MARBLE (53)					
	FINAL CODE									
	20	- (INSET)	--- (LENGTH)		- (CRI)	-- (CCT)		- (DRIVER)	0	-- (COLORS)

\*To create the final product code add after their original prefix the orange numbers or letters, inside the parentheses, according to your choice.



# ATLAS LED 35

RECESSED



A premium LED luminaire, made of high quality extruded aluminum profile, which provides 120° continuous lighting.

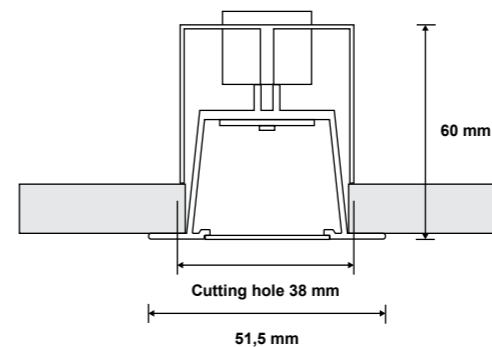
Available in multiple dimensions and finishes (powder coated or anodized). Suitable for professional and/or commercial spaces and stores.

Optimal heat conduction through "H" designed aluminum extrusion.

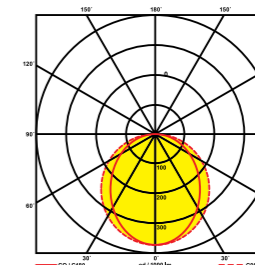
Seamless lighting in linear or angular application.

CODE*	INSET	LENGTH (cm)		CRI	CCT	DRIVER	OPTIC	COLORS			
40	LOW (1)	058	282	80 (8)	3000 (30)	ON-OFF (C)	OPAL (0)	WHITE (01)			
		086	310					BLACK (03)			
	MEDIUM (2)	114	338			PUSH BUTTON (B)		ANOD- IZED (26)			
		142	366					1-10V (V)	WALNUT (52)		
	HIGH (3)	170	394			PHASE CUT (P)		90 (9)	4000 (40)	DALI (D)	BIRCH (54)
		198	422								SAFETY (S)
226		450	MARBLE (53)								
FINAL CODE											
40	- (INSET)	- - - (LENGTH)	- (CRI)	- - (CCT)	- (DRIVER)	0	- - (COL- ORS)				

\*To create the final product code add after their original prefix the orange numbers or letters, inside the parentheses, according to your choice.



### PHOTOMETRICS



# ATLAS LED 35

TRIMLESS



A premium LED luminaire, made of high quality extruded aluminum profile, which provides 120° continuous lighting.

Available in multiple dimensions and finishes (powder coated or anodized).

Suitable for professional and/or commercial spaces and stores.

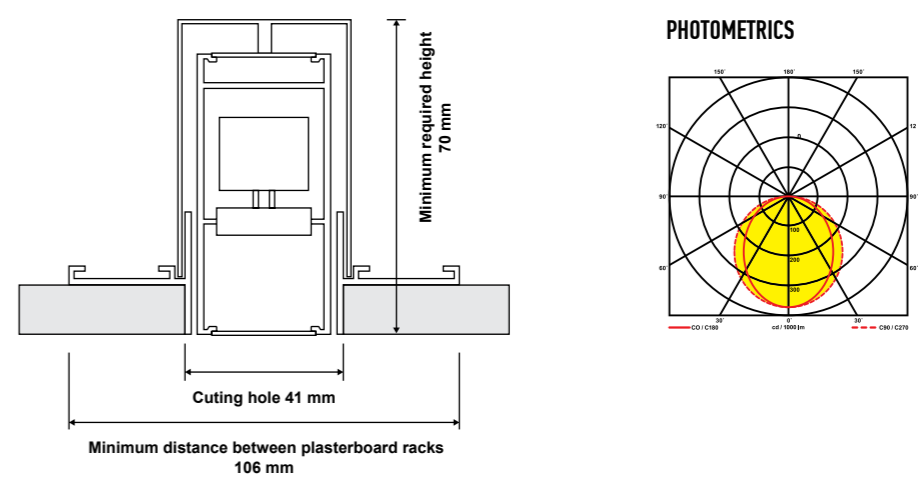
Optimal heat conduction through "H" designed aluminum extrusion.

Seamless lighting in linear or angular application.

Corner bead included for easy ceiling mounting. Capability for total or partial or mounting.

CODE*	INSET	LENGTH (cm)		CRI	CCT	DRIVER	OPTIC	COLORS			
39	LOW (1)	058	282	80 (8)	3000 (30)	ON-OFF (C)	OPAL (0)	WHITE (01)			
		086	310					BLACK (03)			
	MEDIUM (2)	114	338			PUSH BUTTON (B)		ANODIZED (26)			
		142	366					WALNUT (52)			
	HIGH (3)	170	394			PHASE CUT (P)		90 (9)	4000 (40)	DALI (D)	BIRCH (54)
		198	422								WENGE (51)
226		450	SAFETY (S)	MARBLE (53)							
FINAL CODE											
39	- (INSET)	--- (LENGTH)	-- (CRI)	-- (CCT)	- (DRIVER)	0	-- (COLORS)				

\*To create the final product code add after their original prefix the orange numbers or letters, inside the parentheses, according to your choice.







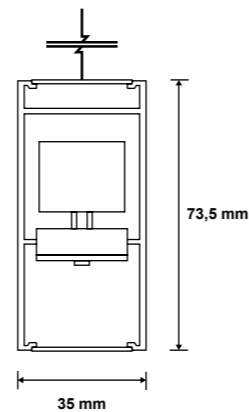
## ATLAS LED 35 UP DOWN

MOUNTED ON WALL / CEILING - SUSPENDED

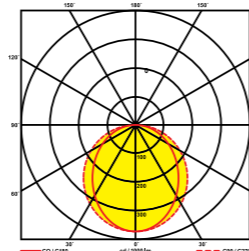


A premium LED luminaire, made of high quality extruded aluminum profile, which provides 120° continuous lighting. Available in multiple dimensions and finishes (powder coated or anodized). Suitable for professional and/or commercial spaces and stores. Optimal heat conduction through "H" designed aluminum extrusion. Seamless lighting in linear or angular application. Code 96501 for mounting set, up to 1,5m long. 2 or more mounting sets required for suspended lights. Base available for up-down installation.

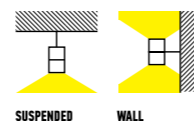
CODE*	INSET	LENGTH (cm)		CRI	CCT	DRIVER	OPTIC	COLORS		
41	LOW (1)	058	282	80 (8)	3000 (30)	ON-OFF (C)	OPAL (0)	WHITE (01)		
		086	310					BLACK (03)		
	MEDIUM (2)	114	338					ANODIZED (26)		
		142	366	WALNUT (52)						
	HIGH (3)	170	394	90 (9)	4000 (40)	PHASE CUT (P)		BIRCH (54)		
		198	422			DALI (D)		WENGE (51)		
		226	450			SAFETY (S)		MARBLE (53)		
	FINAL CODE									
	41	(INSET)	(LENGTH)		(CRI)	(CCT)		(DRIVER)	0	(COLORS)



### PHOTOMETRICS



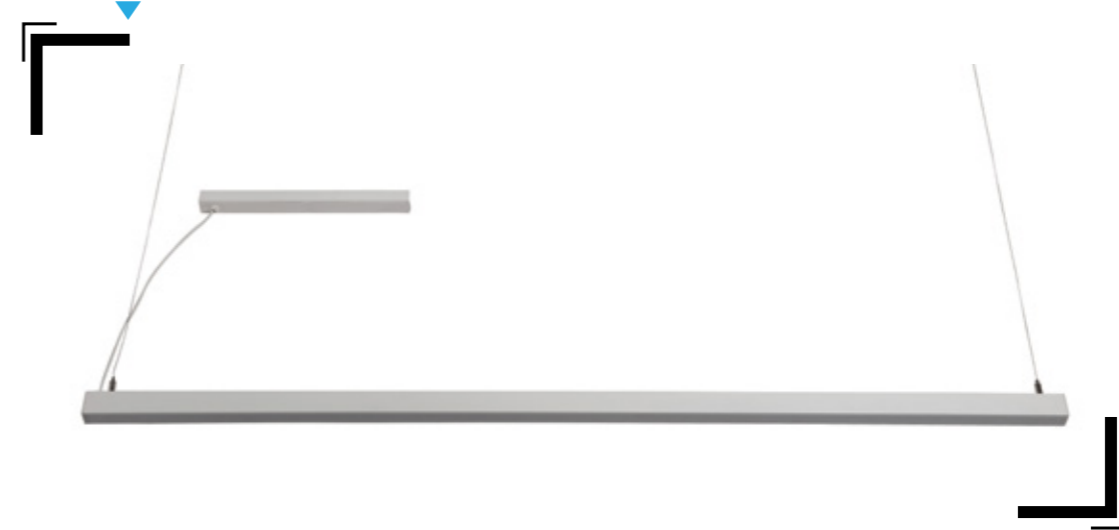
### INSTALLATIONS



\*To create the final product code add after their original prefix the orange numbers or letters, inside the parentheses, according to your choice.

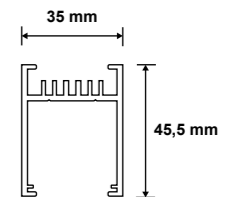
## ATLAS LED 35 SHORT

SUSPENDED

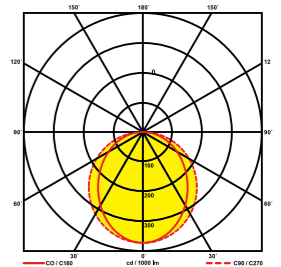


A premium LED luminaire, made of high quality extruded aluminum profile, which provides 120° continuous lighting. Available in multiple dimensions and finishes (powder coated or anodized). Suitable for professional and/or commercial spaces and stores. Optimal heat conduction through "H" designed aluminum extrusion. Seamless lighting in linear or angular application. Code 96501 for mounting set, up to 1,5m long. 2 or more mounting sets required for suspended lights. Base available for down installation.

CODE*	INSET	LENGTH (cm)		CRI	CCT	DRIVER	OPTIC	COLORS		
21	LOW (1)	058	282	80 (8)	3000 (30)	ON-OFF (C)	OPAL (0)	WHITE (01)		
		086	310					BLACK (03)		
	MEDIUM (2)	114	338					ANODIZED (26)		
		142	366	WALNUT (52)						
	HIGH (3)	170	394	90 (9)	4000 (40)	PHASE CUT (P)		BIRCH (54)		
		198	422			DALI (D)		WENGE (51)		
		226	450			SAFETY (S)		MARBLE (53)		
	FINAL CODE									
	21	(INSET)	(LENGTH)		(CRI)	(CCT)		(DRIVER)	0	(COLORS)



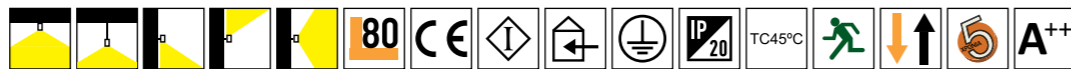
### PHOTOMETRICS



### INSTALLATIONS



\*To create the final product code add after their original prefix the orange numbers or letters, inside the parentheses, according to your choice.



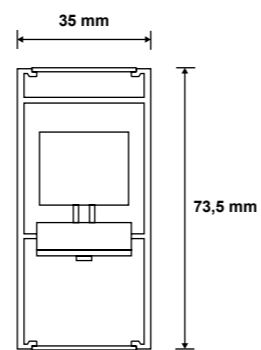
## ATLAS 35 POWER LED

MOUNTED ON WALL / CEILING - SUSPENDED

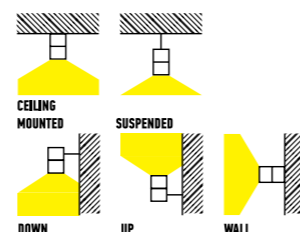


A premium LED luminaire, made of high quality extruded aluminum profile, which provides 30° -60° continuous lighting. Available in multiple dimensions and finishes (powder coated or anodized). Suitable for professional and/or commercial spaces and stores. Optimal heat conduction through "H" designed aluminum extrusion. Code 96501 for mounting set, up to 1,5m long. 2 or more mounting sets required for suspended lights. Base available for up-down installation.

CODE*	WATT	LENGTH (cm)	CRI	CCT	DRIVER	OPTIC	COLORS
50	16	048	80 (8)	3000 (30)	ON-OFF (C)	OPAL (0)	WHITE (01)
	33	096					BLACK (03)
	50	144					ANODIZED (26)
	67	192		4000 (40)	PUSH BUTTON (B)		WALNUT (52)
	84	240		BIRCH (54)			
				WENGE (51)			
						MARBLE (53)	
FINAL CODE							
50	-- (WATT)	--- (LENGTH)	8	-- (CCT)	- (DRIVER)	0	-- (COLORS)



### INSTALLATIONS

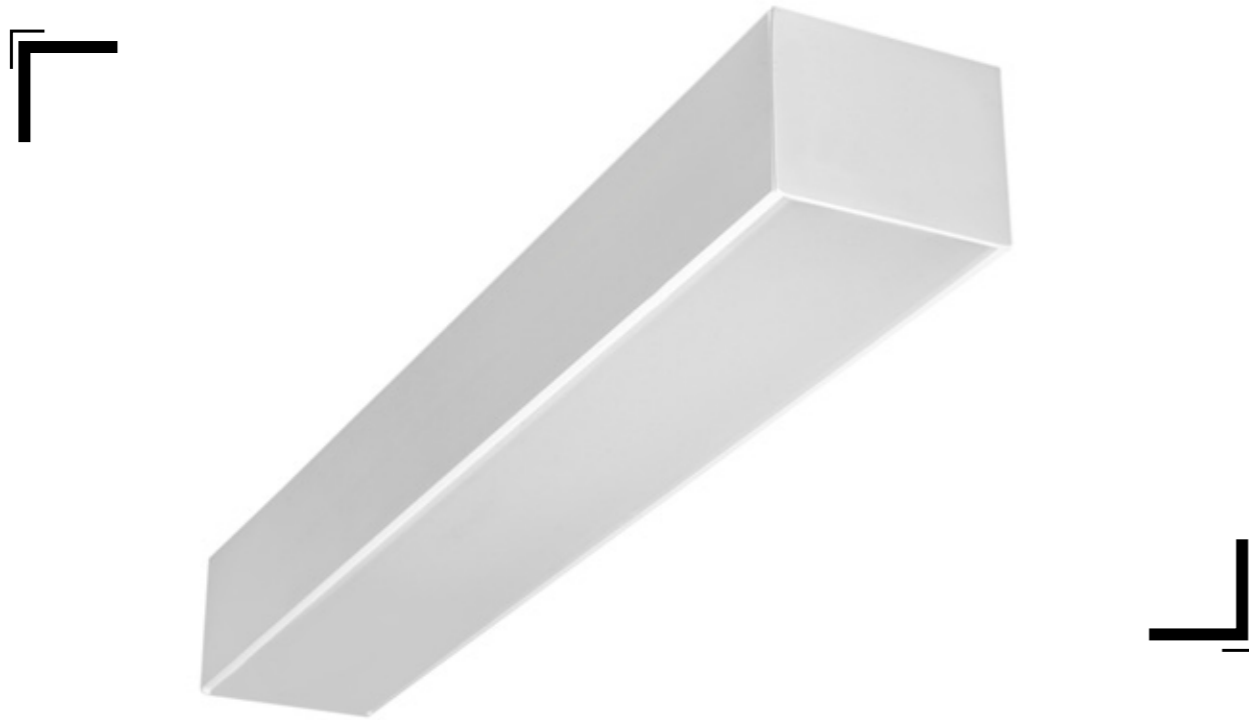


\*To create the final product code add after their original prefix the orange numbers or letters, inside the parentheses, according to your choice.



# ATLAS LED 90

MOUNTED ON WALL / CEILING - SUSPENDED



A premium LED luminaire, made of high quality extruded aluminum profile, which provides 120° continuous lighting.

Available in multiple dimensions and finishes (powder coated or anodized). Suitable for professional and/or commercial spaces and stores.

Optimal heat conduction through "H" designed aluminum extrusion.

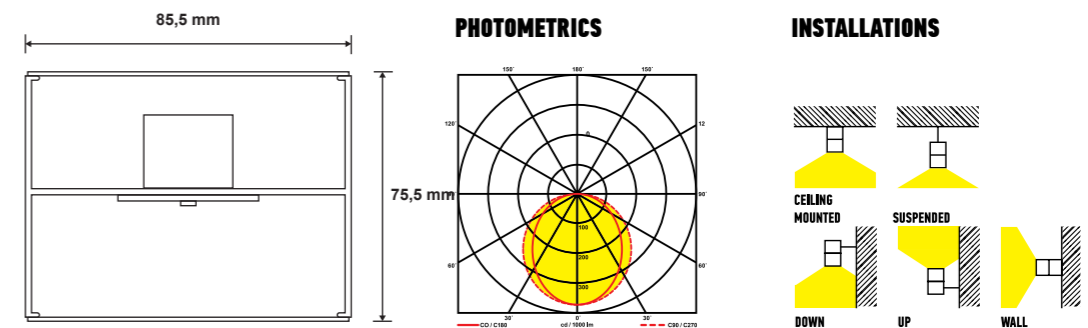
Seamless lighting in linear or angular application. Code 96501 for mounting set, up to 1,5m long.

2 or more mounting sets required for suspended lights.

Base available for up-down installation.

CODE*	INSET	LENGTH (cm)		CRI	CCT	DRIVER	OPTIC	COLORS
92	LOW (1)	058	282	80 (8)	3000 (30)	ON-OFF (C)	OPAL (0)	WHITE (01)
		086	310					BLACK (03)
	MEDIUM (2)	114	338			PUSH BUTTON (B)	STRIPED (S)	ANODIZED (26)
		142	366					WALNUT (52)
	HIGH (3)	170	394			PHASE CUT (P)	MICRO-PRISMATIC (M)	BIRCH (54)
		198	422					DALI (D)
226		450	SAFETY (S)	MARBLE (53)				
FINAL CODE								
92	- (INSET)	--- (LENGTH)		- (CRI)	-- (CCT)	- (DRIVER)	- (OPTIC)	-- (COLORS)

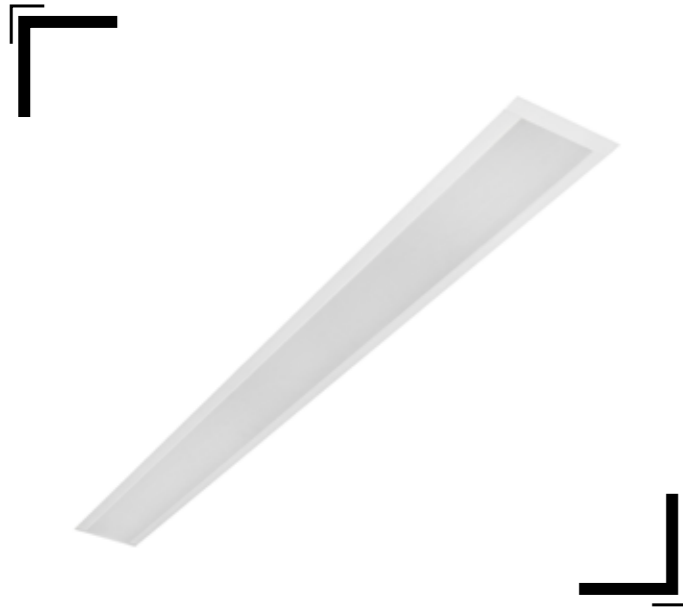
\*To create the final product code add after their original prefix the orange numbers or letters, inside the parentheses, according to your choice.





## ATLAS LED 90

RECESSED



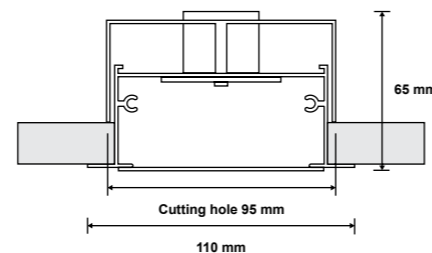
A premium LED luminaire, made of high quality extruded aluminum profile, which provides 120° continuous lighting.

Available in multiple dimensions and finishes (powder coated or anodized).

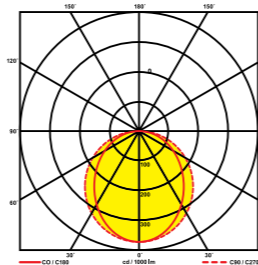
Suitable for professional and/or commercial spaces and stores.

Optimal heat conduction through "H" designed aluminum extrusion.

Seamless lighting in linear or angular application.



### PHOTOMETRICS

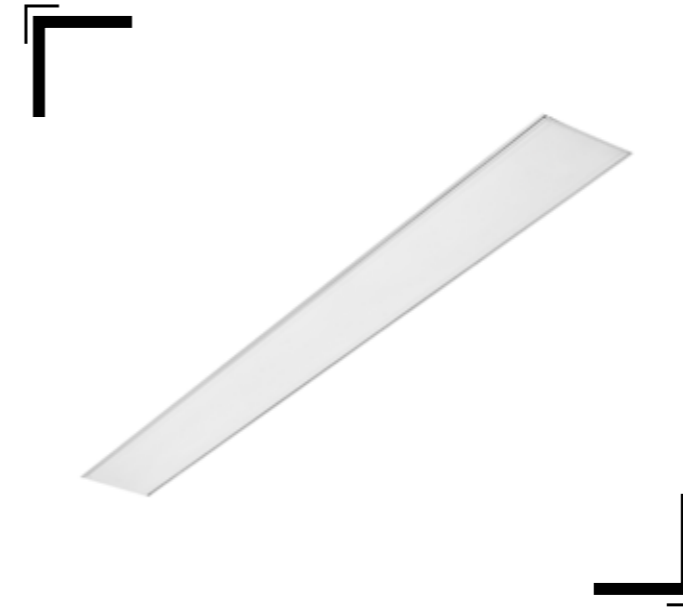


CODE*	INSET	LENGTH (cm)		CRI	CCT	DRIVER	OPTIC	COLORS	
82	LOW (1)	058	282	80 (8)	3000 (30)	ON-OFF (C)	OPAL (0)	WHITE (01)	
		086	310					BLACK (03)	
	MEDIUM (2)	114	338			PUSH BUTTON (B)	STRIPED (S)	ANODIZED (26)	
		142	366					WALNUT (52)	
	HIGH (3)	170	394			PHASE CUT (P)	MICRO-PRISMATIC (M)	BIRCH (54)	
		198	422					WENGE (51)	
		226	450	MARBLE (53)					
	FINAL CODE								
	82	- (INSET)	--- (LENGTH)	- (CRI)	-- (CCT)	- (DRIVER)	- (OPTIC)	-- (COLORS)	

\*To create the final product code add after their original prefix the orange numbers or letters, inside the parentheses, according to your choice.

## ATLAS LED 90

TRIMLESS



A premium LED luminaire, made of high quality extruded aluminum profile, which provides 120° continuous lighting.

Available in multiple dimensions and finishes (powder coated or anodized).

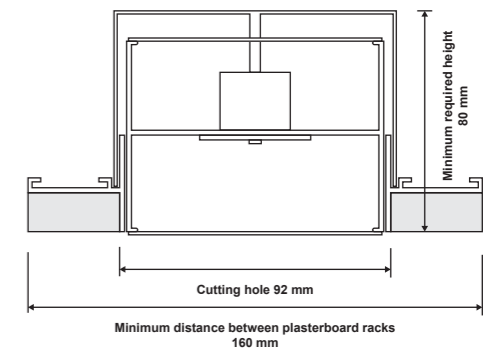
Suitable for professional and/or commercial spaces and stores.

Optimal heat conduction through "H" designed aluminum extrusion.

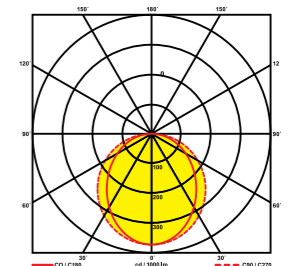
Seamless lighting in linear or angular application.

Corner bead included for easy ceiling mounting.

Capability for total or partial mounting.



### PHOTOMETRICS



CODE*	INSET	LENGTH (cm)		CRI	CCT	DRIVER	OPTIC	COLORS	
72	LOW (1)	058	282	80 (8)	3000 (30)	ON-OFF (C)	OPAL (0)	WHITE (01)	
		086	310					BLACK (03)	
	MEDIUM (2)	114	338			PUSH BUTTON (B)	STRIPED (S)	ANODIZED (26)	
		142	366					WALNUT (52)	
	HIGH (3)	170	394			PHASE CUT (P)	MICRO-PRISMATIC (M)	BIRCH (54)	
		198	422					WENGE (51)	
		226	450	MARBLE (53)					
	FINAL CODE								
	72	- (INSET)	--- (LENGTH)	- (CRI)	-- (CCT)	- (DRIVER)	- (OPTIC)	-- (COLORS)	

\*To create the final product code add after their original prefix the orange numbers or letters, inside the parentheses, according to your choice.



## UP DOWN WALL LED LIGHT

MOUNTED ON WALL



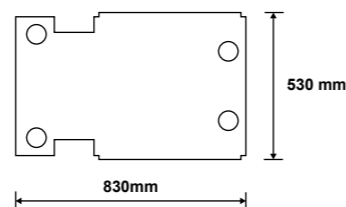
A premium LED luminaire, made of high quality extruded aluminum profile, which provides 120° continuous lighting.

Available in multiple dimensions and finishes (powder coated or anodized).

Suitable for bathrooms or balconies.

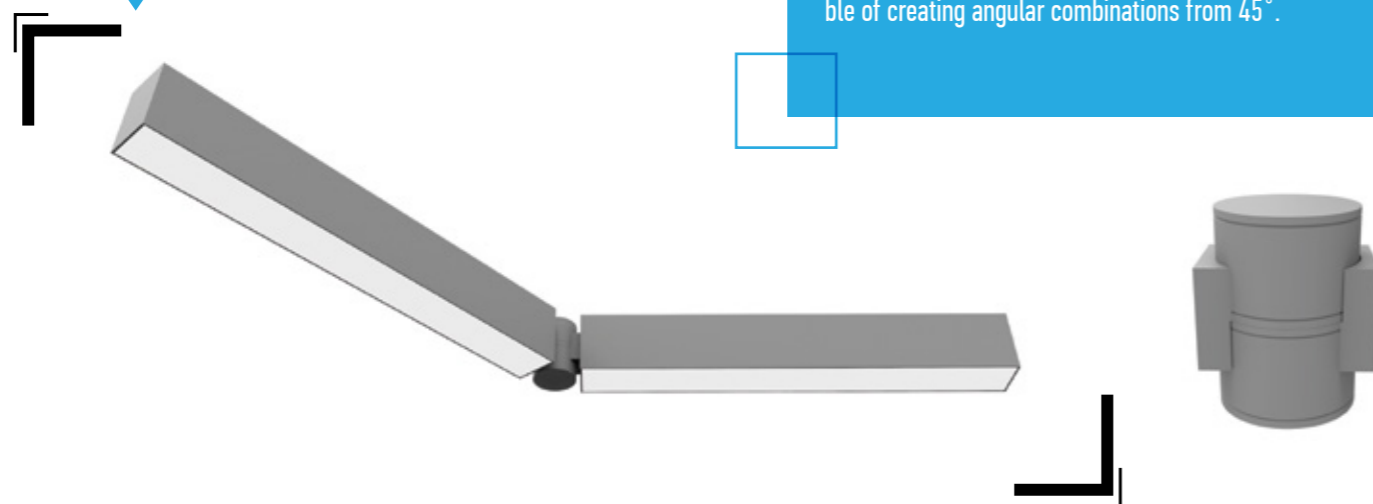
Seamless lighting in linear application.

CODE	LENGHT (cm)	3000 KELVIN	4000 KELVIN	WATT
		LUMEN		
310205820	058	3600	3850	28,2
310308620	086	5400	5760	42,3
310411420	114	7200	7680	56,4
310514220	142	9000	9600	70,5



## ATLAS JOINT

SUSPENDED



Rotating joint from for connecting Atlas 55. Capable of creating angular combinations from 45°.



## ATLAS 6 LED

HIDDEN LIGHTING



A premium LED luminaire, with a high quality steel body. Suitable for professional and/or commercial spaces and stores. Available in White / Black / Anodized.

### BODY

Steel, powder coated

### SOURCE

PrevaLED Linear LED Module of European origin

### ELECTRIC EQUIPMENT

Constant Current LED Driver: On/Off • Push Button  
• Dali • Dim 1-10V with Dimmer • Emergency

### OPTIC EQUIPMENT

PMMA Opal Diffuser

### CHARACTERISTICS

CRI 80 • CCT 3000K - 4000K • Colour Consistency 3 - 4 SDCM • Ingress protection IP 20 • LOR 78 • Power Factor 0,92

### UPON REQUEST

Constant Lumen Operation • CRI 90

### REGULATION

Manufactured in accordance with the Regulation EN 60598-1 and CE 93/68 EOK

### SPECIAL APPLICATIONS

Combination of architectural and decorative lighting

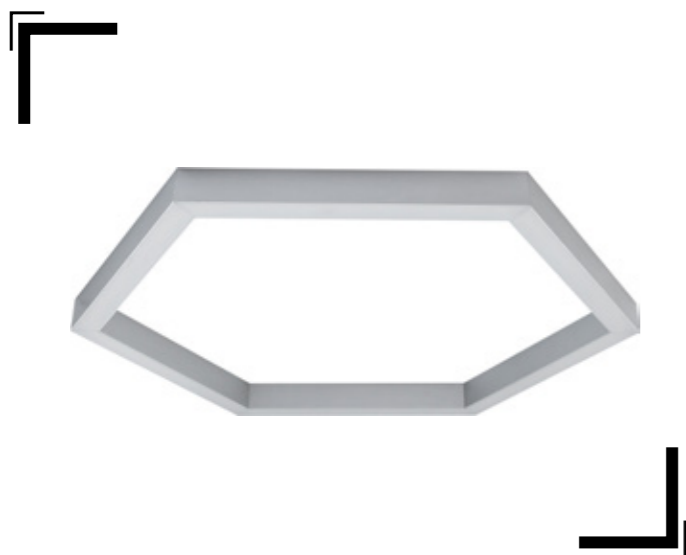
CODE*	INSET	LENGTH (cm)	CRI	CCT	DRIVER	DIFFUSER			
28	LOW (1)	058	80 (8)	3000 (30)	ON-OFF (C)	WITHOUT DIFFUSER (01)			
		086							
	MEDIUM (2)	114			1-10V (V)				
		142							
	HIGH (3)	170			90 (9)		4000 (40)	PHASE CUT (P)	WITH DIFFUSER (02)
		198						DALI (D)	
226		SAFETY (S)							
FINAL CODE									
28	- (INSET)	--- (LENGTH)	- (CRI)	-- (CCT)	- (DRIVER)	-- (DIFFUSER)			

\*To create the final product code add after their original prefix the orange numbers or letters, inside the parentheses, according to your choice.



## ATLAS LED 55 HEXAGON

MOUNTED ON WALL / CEILING - SUSPENDED



A premium LED luminaire, made of high quality extruded aluminum profile, which provides 120° continuous lighting.

Available in multiple dimensions and finishes (powder coated or anodized).

Suitable for professional and/or commercial spaces and stores.

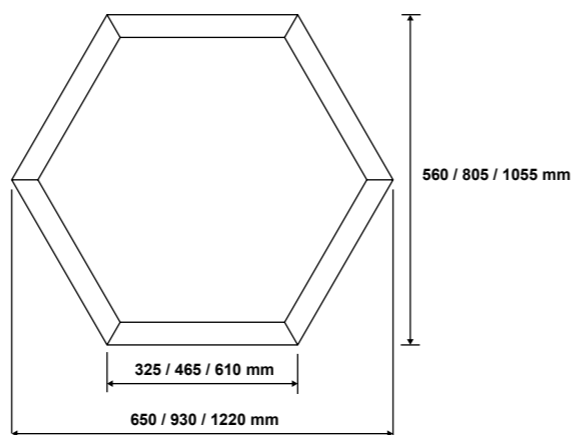
Optimal heat conduction through "H" designed aluminum extrusion.

Seamless lighting in linear or angular application. Code 96501 for mounting set, up to 1,5m long.

4 or more mounting sets required for suspended lights.

Base available for up-down installation.

CODE*	INSET	MAX RADIUS (cm)	CRI	CCT	DRIVER	OPTIC	COLORS
49	LOW (1)	065	80 (8)	3000 (30)	ON-OFF (C)	OPAL (0)	WHITE (01)
							BLACK (03)
	MEDIUM (2)	093			PUSH BUTTON (B)	STRIPED (S)	ANODIZED (26)
							WALNUT (52)
	HIGH (3)	122			PHASE CUT (P)	MICRO-PRIS-MATIC (M)	BIRCH (54)
							DALI (D)
		SAFETY (S)		MARBLE (53)			
FINAL CODE							
72	- (INSET)	--- (LENGTH)	- (CRI)	-- (CCT)	- (DRIVER)	- (OPTIC)	-- (COLORS)



\*To create the final product code add after their original prefix the orange numbers or letters, inside the parentheses, according to your choice.



## CANVAS LED MOUNTED ON CEILING



A premium LED luminaire, with a high quality steel body. Suitable for professional and/or commercial spaces and stores. Available in White / Black / Anodized.

**BODY**  
Steel, powder coated

**SOURCE**  
PrevaLED Linear LED Module of European origin

**ELECTRIC EQUIPMENT**  
Constant Current LED Driver: On/Off • Push Button • Dali • Dim 1-10V with Dimmer • Emergency

**OPTIC EQUIPMENT**  
PMMA Opal Diffuser

**CHARACTERISTICS**  
CRI 80 • CCT 3000K - 4000K • Colour Consistency 3 - 4 SDCM  
• Ingress protection IP 20 • LOR 78 • Power Factor 0,92

**UPON REQUEST**  
Constant Lumen Operation • CRI 90

**REGULATION**  
Manufactured in accordance with the Regulation EN 60598-1 and CE 93/68 EOK

**SPECIAL APPLICATIONS**  
Combination of architectural and decorative lighting

## CANVAS LED RECESSED



A premium LED luminaire, with a high quality steel body. Suitable for professional and/or commercial spaces and stores. Available in White / Black / Anodized.

**BODY**  
Steel, powder coated

**SOURCE**  
PrevaLED Linear LED Module of European origin

**ELECTRIC EQUIPMENT**  
Constant Current LED Driver: On/Off • Push Button • Dali • Dim 1-10V with Dimmer • Emergency

**OPTIC EQUIPMENT**  
PMMA Opal Diffuser

**CHARACTERISTICS**  
CRI 80 • CCT 3000K - 4000K • Colour Consistency 3 - 4 SDCM  
• Ingress protection IP 20 • LOR 78 • Power Factor 0,92

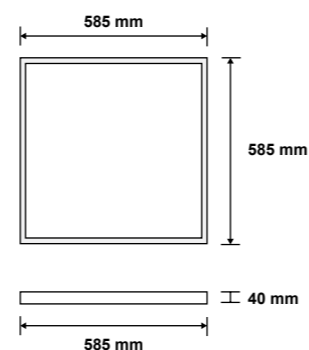
**UPON REQUEST**  
Constant Lumen Operation • CRI 90

**REGULATION**  
Manufactured in accordance with the Regulation EN 60598-1 and CE 93/68 EOK

**SPECIAL APPLICATIONS**  
Combination of architectural and decorative lighting

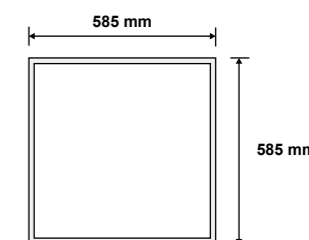
CODE	LENGHT (cm)	3000 KELVIN	4000 KELVIN	WATT
LUMEN				
9545808	58,5x58,5	5568	5848	42,8
9545811	58,5x58,5	10396	10920	72,8

\*Add "D" prefix for Dimmable source.



CODE	LENGHT (cm)	3000 KELVIN	4000 KELVIN	WATT
LUMEN				
4545808	58,5x58,5	5568	5848	42,8
4545811	58,5x58,5	10396	10920	72,8

\*Add "D" prefix for Dimmable source.





## ZEUS LED MOUNTED ON CEILING



A premium LED luminaire, with a high quality steel body. Suitable for professional and/or commercial spaces and stores. Available in White / Black / Anodized.

**BODY**  
Steel, powder coated

**SOURCE**  
PrevaLED Linear LED Module of European origin

**ELECTRIC EQUIPMENT**  
Constant Current LED Driver: On/Off • Push Button • Dali • Dim 1-10V with Dimmer • Emergency

**OPTIC EQUIPMENT**  
PMMA Opal Diffuser

**CHARACTERISTICS**  
CRI 80 • CCT 3000K - 4000K • Colour Consistency 3 - 4 SDCM • Ingress protection IP 20 • LOR 78 • Power Factor >0,92

**UPON REQUEST**  
Constant Lumen Operation • CRI 90

**REGULATION**  
Manufactured in accordance with the Regulation EN 60598-1 and CE 93/68 EOK

**SPECIAL APPLICATIONS**  
Combination of architectural and decorative lighting

## ZEUS LED RECESSED



A premium LED luminaire, with a high quality steel body. Suitable for professional and/or commercial spaces and stores. Available in White / Black / Anodized.

**BODY**  
Steel, powder coated

**SOURCE**  
PrevaLED Linear LED Module of European origin

**ELECTRIC EQUIPMENT**  
Constant Current LED Driver: On/Off • Push Button • Dali • Dim 1-10V with Dimmer • Emergency

**OPTIC EQUIPMENT**  
PMMA Opal Diffuser

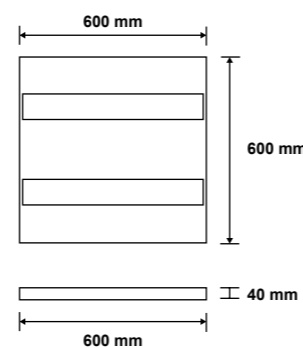
**CHARACTERISTICS**  
CRI 80 • CCT 3000K - 4000K • Colour Consistency 3 - 4 SDCM • Ingress protection IP 20 • LOR 78 • Power Factor 0,92

**UPON REQUEST**  
Constant Lumen Operation • CRI 90

**REGULATION**  
Manufactured in accordance with the Regulation EN 60598-1 and CE 93/68 EOK

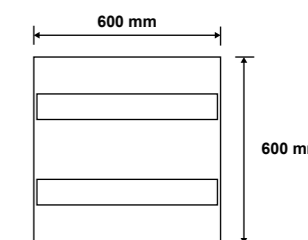
**SPECIAL APPLICATIONS**  
Combination of architectural and decorative lighting

CODE	LENGHT (cm)	3000 KELVIN	4000 KELVIN	WATT
		LUMEN		
94411408	60x60	2784	2924	21,4
94411411	60x60	5198	5460	36,4
94411420	60x60	7200	7680	56,4



\*Add "D" prefix for Dimmable source.

CODE	LENGHT (cm)	3000 KELVIN	4000 KELVIN	WATT
		LUMEN		
84411408	60x60	2784	2924	21,4
84411411	60x60	5198	5460	36,4
84411420	60x60	7200	7680	56,4



\*Add "D" prefix for Dimmable source.

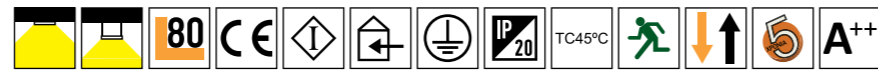


# **CURVES**





ΓΙΑ ΣΕΝΑ ≡



# RADIUS

MOUNTED ON CEILING - SUSPENDED

A premium circular LED luminaire, made of high quality extruded aluminum profile, which provides 120° continuous lighting. Available in multiple dimensions and finishes (powder coated or anodized). Suitable for professional and/or commercial spaces and stores.

Code 96504 for mounting set, up to 1,5m long.  
3 or more mounting sets required for suspended lights.

Code 1656 for ceiling base.



**BODY**  
Aluminum, powder coated

**SOURCE**  
PrevaLED Linear LED Module of European origin

**ELECTRIC EQUIPMENT**  
Constant Current LED Driver: On/Off • Push Button • Dali • Dim 1-10V with Dimmer • Push Button

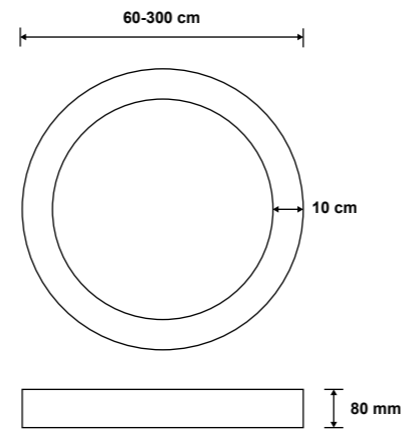
**OPTIC EQUIPMENT**  
PMMA Opal Diffuser

**CHARACTERISTICS**  
CRI 80 • CCT 3000K - 4000K • Colour Consistency <3SDCM • LOR 90 • Power Factor 0,96 • 50.000 hrs

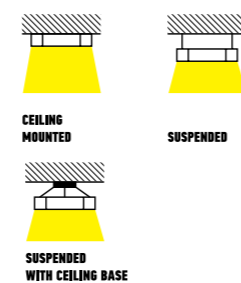
**REGULATION**  
Manufactured in accordance with the Regulation EN 60598-1 and CE 93/68 EOK

**SPECIAL APPLICATIONS**  
Combination of architectural and decorative lighting

DIAM. (cm)	60	90	120	150	200
	LUMEN				
3000 Kelvin	7144	11430	17146	21432	28576
4000 Kelvin	7530	12048	18072	22590	30120



### INSTALLATIONS



CODE*	WATT	DIAM. (cm)	KELVIN	DRIVER	COLORS
512	045	060	3000 (3)	ON-OFF (C)	WHITE (01)
	072	090			BLACK (03)
	108	120		PUSH BUTTON (B)	ANODIZED (26)
	135	150	4000 (4)	1-10V (V)	WALNUT (52)
	180	200		DALI (D)	BIRCH (54)
				SAFETY (S)	WENGE (51)
FINAL CODE					
512	--- (WATT)	--- (DIAM.)	-- (KELVIN)	- (DRIVER)	-- (COLORS)

\*To create the final product code add after their original prefix the orange numbers or letters, inside the parentheses, according to your choice.



**DISC**

MOUNTED ON CEILING - SUSPENDED

A premium circular LED luminaire, made of high quality extruded aluminum profile, which provides 120° continuous lighting. Available in multiple dimensions and finishes (powder coated or anodized) Suitable for professional and/or commercial spaces and stores.

Code 96504 for mounting set, up to 1,5m long. 3 or more mounting sets required for suspended lights.

Code 1656 for ceiling base.



**BODY**

Aluminum, powder coated

**SOURCE**

PrevaLED Linear LED Module of European origin

**ELECTRIC EQUIPMENT**

Constant Current LED Driver: On/Off • Push Button • Dali • Dim 1-10V with Dimmer • Push Button

**OPTIC EQUIPMENT**

PMMA Opal Diffuser

**CHARACTERISTICS**

CRI 80 • CCT 3000K - 4000K • Colour Consistency <3SDCM • LOR 90 • Power Factor 0,96 • 50.000 hrs

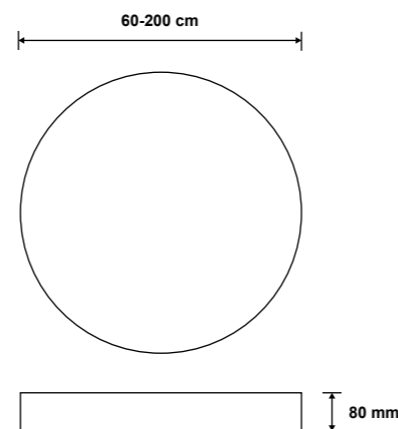
**REGULATION**

Manufactured in accordance with the Regulation EN 60598-1 and CE 93/68 EOK

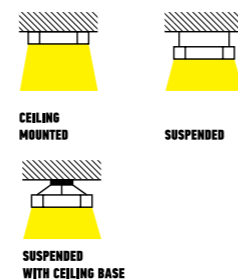
**SPECIAL APPLICATIONS**

Combination of architectural and decorative lighting

DIAM. (cm)	60	90	120	150	200
	LUMEN				
3000 Kelvin	5730	13140	21060	35040	74460
4000 Kelvin	6150	14100	22600	37600	79900

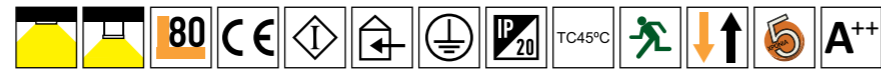


**INSTALLATIONS**



CODE*	WATT	DIAM. (cm)	KELVIN	DRIVER	COLORS
532	043	060	3000 (3)	ON-OFF (C)	WHITE (01)
	108	090			BLACK (03)
	169	120		4000 (4)	PUSH BUTTON (B)
	288	150	WALNUT (52)		
	612	200	1-10V (V)		
				DALI (D)	WENGE (51)
			SAFETY (S)	MARBLE (53)	
FINAL CODE					
532	--- (WATT)	--- (DIAM.)	-- (KELVIN)	- (DRIVER)	-- (COLORS)

\*To create the final product code add after their original prefix the orange numbers or letters, inside the parentheses, according to your choice.



# RING

MOUNTED ON CEILING - SUSPENDED



A premium square or rectangular LED luminaire, made of high quality extruded aluminum profile, which provides 120° continuous lighting.

Available in multiple dimensions and finishes (powder coated or anodized). Suitable for professional and/or commercial spaces and stores.

Code 96504 for mounting set, up to 1,5m long.

4 or more mounting sets required for suspended lights.

Available custom width of optical medium, upon request.

**BODY**  
Aluminum, powder coated

**SOURCE**  
PrevaLED Linear LED Module of European origin

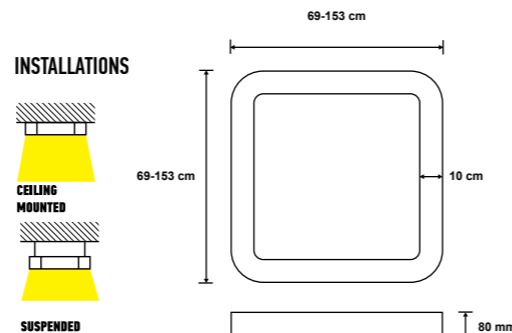
**ELECTRIC EQUIPMENT**  
Constant Current LED Driver: On/Off • Push Button • Dali • Dim 1-10V with Dimmer • Push Button

**OPTIC EQUIPMENT**  
PMMA Opal Diffuser

**CHARACTERISTICS**  
CRI 80 • CCT 3000K - 4000K • Colour Consistency <3SDCM • LOR 90 • Power Factor 0,96 • 50.000 hrs

**REGULATION**  
Manufactured in accordance with the Regulation EN 60598-1 and CE 93/68 EOK

**SPECIAL APPLICATIONS**  
Combination of architectural and decorative lighting



SIDE. (cm)	69	97	125	153
	LUMEN			
3000 Kelvin	11430	17145	22860	28756
4000 Kelvin	12048	18072	24096	30120

CODE*	WATT	SIDE (cm)	CCT	DRIVER	COLORS	
622	072	069	3000 (3)	ON-OFF (C)	WHITE (01)	
					BLACK (03)	
	108	097		PUSH BUTTON (B)	ANODIZED (26)	
					WALNUT (52)	
	144	125		4000 (4)	1-10V (V)	BIRCH (54)
						DALI (D)
180	153	SAFETY (S)	MARBLE (53)			
			FINAL CODE			
622	(WATT)	(DIAM.)	(KELVIN)		(DRIVER)	(COLORS)

\*To create the final product code add after their original prefix the orange numbers or letters, inside the parentheses, according to your choice.

# PANEL

MOUNTED ON CEILING - SUSPENDED



A premium square or rectangular LED luminaire, made of high quality extruded aluminum profile, which provides 120° continuous lighting.

Available in multiple dimensions and finishes (powder coated or anodized). Suitable for professional and/or commercial spaces and stores.

Code 96504 for mounting set, up to 1,5m long.

4 or more mounting sets required for suspended lights.

Available custom width of optical medium, upon request.

**BODY**  
Aluminum, powder coated

**SOURCE**  
PrevaLED Linear LED Module of European origin

**ELECTRIC EQUIPMENT**  
Constant Current LED Driver: On/Off • Push Button • Dali • Dim 1-10V with Dimmer • Push Button

**OPTIC EQUIPMENT**  
PMMA Opal Diffuser

**CHARACTERISTICS**  
CRI 80 • CCT 3000K - 4000K • Colour Consistency <3SDCM • LOR 90 • Power Factor 0,96 • 50.000 hrs

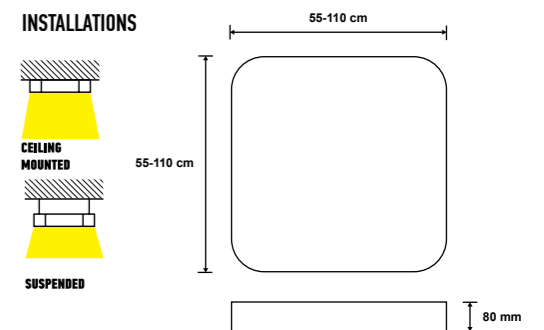
**REGULATION**  
Manufactured in accordance with the Regulation EN 60598-1 and CE 93/68 EOK

**SPECIAL APPLICATIONS**  
Combination of architectural and decorative lighting

SIDE. (cm)	55x55	110x110	55x82,5	55x110
	LUMEN			
3000 Kelvin	9640	38560	14460	19280
4000 Kelvin	10170	40680	15255	20340

CODE*	WATT	SIDE (cm)	KELVIN	DRIVER	COLORS	
732	065	55x55 (05)	3000 (30)	ON-OFF (C)	WHITE (01)	
					BLACK (03)	
	260	110x110 (11)		PUSH BUTTON (B)	ANODIZED (26)	
					WALNUT (52)	
	098	55x82,5 (82)		4000 (40)	1-10V (V)	BIRCH (54)
						DALI (D)
130	55x110 (10)	SAFETY (S)	MARBLE (53)			
			FINAL CODE			
732	(WATT)	(SIZE)	(KELVIN)		(DRIVER)	(COLORS)

\*To create the final product code add after their original prefix the orange numbers or letters, inside the parentheses, according to your choice.





# SNAKE

MOUNTED ON CEILING - SUSPENDED



A premium curved LED luminaire, made of high quality extruded aluminum profile, which provides 120° continuous lighting.

Available in multiple dimensions and finishes (powder coated or anodized).

Suitable for professional and/or commercial spaces and stores.

Code 96504 for mounting set, up to 1,5m long.

2 or more mounting sets required for suspended lights.

**BODY**  
Aluminum, powder coated

**SOURCE**  
PrevaLED Linear LED Module of European origin

**ELECTRIC EQUIPMENT**  
Constant Current LED Driver: On/Off • Push Button • Dali • Dim 1-10V with Dimmer • Push Button

**OPTIC EQUIPMENT**  
PMMA Opal Diffuser

**CHARACTERISTICS**  
CRI 80 • CCT 3000K - 4000K • Colour Consistency <3SDCM • LOR 90 • Power Factor 0,96 • 50.000 hrs

**REGULATION**  
Manufactured in accordance with the Regulation EN 60598-1 and CE 93/68 EOK

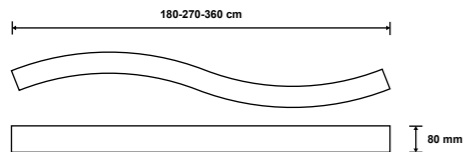
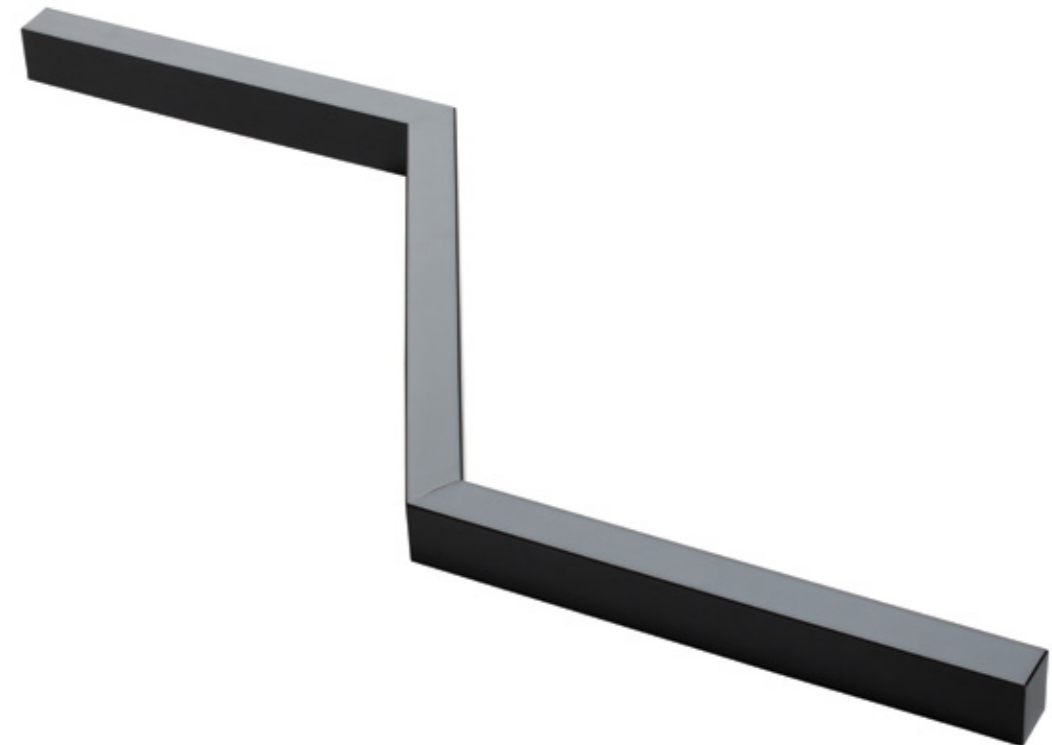
**SPECIAL APPLICATIONS**  
Combination of architectural and decorative lighting

# SPECIAL CONSTRUCTIONS

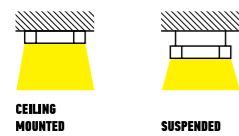
## AYGO



## ZING



### INSTALLATIONS

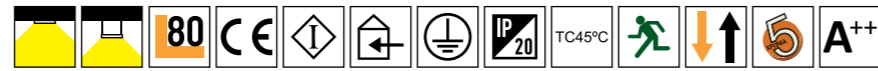


LENGTH (cm)	180	270	360
LUMEN			
3000 Kelvin	8572	12859	17145
4000 Kelvin	9036	13554	18072

CODE*	WATT	LENGTH (cm)	CCT	DRIVER	COLORS	
852	054	180	3000 (3)	ON-OFF (C)	WHITE (01)	
					BLACK (03)	
				PUSH BUTTON (B)	ANODIZED (26)	
	WALNUT (52)					
	081	270		4000 (4)	1-10V (V)	BIRCH (54)
					DALI (D)	WENGE (51)
SAFETY (S)			MARBLE (53)			
FINAL CODE						
852	--- (WATT)	--- (DIAM.)	-- (KELVIN)		- (DRIVER)	-- (COLORS)

\*To create the final product code add after their original prefix the orange numbers or letters, inside the parentheses, according to your choice.

# LINEAR LIGHTS



Suitable for offices and conference halls, where quality lighting, without glare is demanded. Interior profiles of pre anodized pressed aluminum.  
 Manufactured for the new generation of lamps T5/T16 G5 with electronic transformer, ordinary or DIMMABLE (DALI or 1-10), in accordance with EN 60598-1, EN 60598-2-1 standards.  
 Code 96504 for mounting set, up to 1,5m long.  
 2 mounting sets required for suspended lights.  
 With louver the "L" prefix must be added after length declaration.

## ATLAS 1 MOUNTED ON CEILING - SUSPENDED



Dimensions (cm):  
 With 1 lamp: 5,5x60/90/120/150  
 With 2 lamps: 9,0x60/90/120/150

CODE*	LAMPS	WATT/LAMP	LENGTH (cm)	COLORS**
9	1	14	60	WHITE (01)
		24	(06)	
		21	90	
	2	39	(09)	BLACK (03)
		28	120	
		54	(12)	
		35	150	ANODIZED (26)
		49	(15)	
		80		
FINAL CODE				
9	- (LAMPS)	-- (WATT)	--- (LENGTH)	-- (COLORS)

\*To create the final product code add after their original prefix the orange numbers or letters, inside the parentheses, according to your choice.  
 \*\*More colors upon request.  
 \*\*\*Add "D" prefix for Dimmable source.

## ATLAS 2 RECESSED



Dimensions (cm):  
 With 1 lamp: 5,5x58,5/88,5/118,5/14,5  
 With 2 lamps: 9,0x60/90/120/150

CODE*	LAMPS	WATT/LAMP	LENGTH (cm)	COLORS**
8	1	14	60	WHITE (01)
		24	(06)	
		21	90	
	2	39	(09)	BLACK (03)
		28	120	
		54	(12)	
		35	150	ANODIZED (26)
		49	(15)	
		80		
FINAL CODE				
8	- (LAMPS)	-- (WATT)	--- (LENGTH)	-- (COLORS)

\*To create the final product code add after their original prefix the orange numbers or letters, inside the parentheses, according to your choice.  
 \*\*More colors upon request.  
 \*\*\*Add "D" prefix for Dimmable source.

Profiles of pre anodized aluminum.  
 Manufactured for the new generation of lamps T5/T16 G5 with electronic transformer, ordinary or DIMMABLE (DALI or 1-10).  
 Support of the framework in the plaster with non-visible recessed frame.  
 With louver the "L" prefix must be added after length declaration.

Interior for installation on a drywall panel to create concealed lighting.  
 Galvanized steel body for the placement of the lamp.

## ATLAS 4 JOLE TRIMLESS



Dimensions (cm):  
 With 1 lamp: 12x65/95/125/155  
 With 2 lamps: 15,5x59/89/119/149

LAMPS	WATT/LAMP	LENGTH (cm)
1	14	60
	24	(06)
	21	90
2	39	(09)
	28	120
	54	(12)
	35	150
	49	(15)
	80	
FINAL CODE		
- (LAMPS)	-- (WATT)	--- (LENGTH)

\*To create the final product code add after their original prefix the orange numbers or letters, inside the parentheses, according to your choice.  
 \*\*Add "D" prefix for Dimmable source.

## ATLAS 6 MOUNTED ON CEILING



Dimensions (cm):  
 With 1 lamp: 6x60/90/120/150  
 With 2 lamps: 9x60/90/120/150

REFLECTOR	LAMPS	WATT/LAMP	LENGTH (cm)
NO REFLECTOR (3)	1	14	60
		24	(06)
		21	90
WITH REFLECTOR (4)	2	39	(09)
		28	120
		54	(12)
		35	150
		49	(15)
		80	
FINAL CODE			
- (REFLECTOR)	- (LAMPS)	-- (WATT)	--- (LENGTH)

\*To create the final product code add after their original prefix the orange numbers or letters, inside the parentheses, according to your choice.  
 \*\*Add "D" prefix for Dimmable source.

# PARTS & COMPONENTS

## DIFFUSERS

### OPAL



ATLAS 35 93002  
ATLAS 55 91001  
ATLAS 90 92001

### MICROPRISMATIC



ATLAS 55 91005

### STRIPED



ATLAS 55 91006

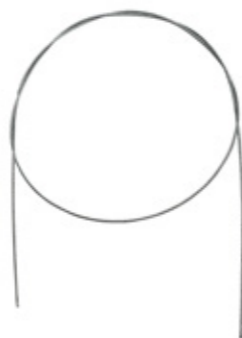
## MOUNTING SET FOR ATLAS: 96501



## MOUNTING SET FOR RADIUS / DISC / RING / PANEL / SNAKE: 96504



## MOUNTING WIRE 202020



## CONNECTIONS

### ANGULAR



ATLAS 55 94400  
ATLAS 90 96450

### DIRECT



ATLAS 55 96350

### STAR



ATLAS 55 96451

### CROSS



ATLAS 55 96452

## END CAPS



ATLAS 35 91007



ATLAS 55 92003



ATLAS 90 92004



ATLAS JOINT 92008

## CEILING BASES

### CEILING BASE ROUND



1656

### CEILING BASE RECTANGULAR



1657

### CABLE ROSETTE



656809

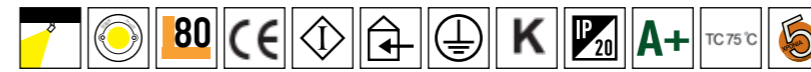


# SPOTLIGHT





# SPOTLIGHT



<b>BODY</b>	Die cast aluminum
<b>SOURCE</b>	Chip On Board (COB) LED Module
<b>ELECTRIC EQUIPMENT</b>	Constant Current LED Driver: On/Off • Dali • Dim 1-10V with Dimmer • Phase Cut
<b>CHARACTERISTICS</b>	CRi 80 • Colour Consistency <3SDCM • LOR 90 • Power Factor 0,96
<b>UPON REQUEST</b>	Constant Lumen Operation • CCT 2700K - 3500K - 5000K • CRi 90 & 97
<b>REGULATION</b>	Manufactured in accordance with the Regulation EN 60598-1 and CE 93/68/EOK
<b>SPECIAL APPLICATIONS</b>	For food and meat stores
<b>AVAILABLE</b>	Based on wall mounting (prefix A) • Και με βάση για επίτοιχνη στήριξη (πρόθεμα A)
<b>ACCESSORY</b>	Barndoors, code 20-K038-468622  Honeycomb, code 272128

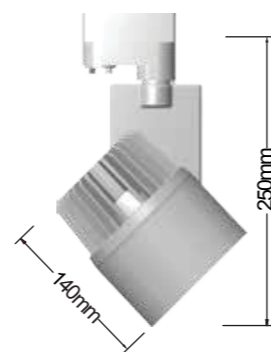
COLOUR TEMPERATURE KELVIN	16,2W @500mA		23,2W @700mA		30,4W @900mA		35,9W @1050mA		49,3W @1400mA	
	Lm	Lm/W	Lm	Lm/W	Lm	Lm/W	Lm	Lm/W	Lm	Lm/W
3000K	2854	176	3899	168	4888	161	5596	156	7247	147
4000K	3011	186	4115	177	5159	170	5907	165	7638	155

\*Luminus flux & power consumption of led. Φωτεινή ροή & κατανάλωση πυρήνα led.

## CYCLOTRON COB LED



CODE*	WATT	KELVIN	CRI	REFLECTOR DEGREES	LED DRIVER	COLOUR
78	16,2W (16)	3000K (30)	80 (80)	12° (12)	ON - OFF (C)	WHITE (-01)
	23,2W (22)			24° (24)	DALI (D)	BLACK (-03)
	30,4W (31)			40° (40)	1 - 10 V WITH DIM (I)	ALUMINUM (-26)
	35,9W (38)	4000K (40)	97 (97)	60° (60)	PHASE CUT (P)	OTHER*** (-XX)
	49,3W (48)			BASE MOUNTING** (A)		
	FINAL CODE					
78	-- (WATT)	-- (KELVIN)	-- (CRI)	-- (REFLECTOR DEGREES)	-- (LED DRIVER)	-- (COLOUR)

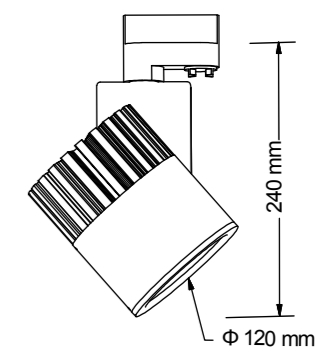


\* Για να δημιουργήσετε τον τελικό κωδικό του προϊόντος που επιθυμείτε, προσθέστε μετά τον αρχικό κωδικό τους πορτοκαλί αριθμούς ή γράμματα που βρίσκονται μέσα στις παρενθέσεις ανάλογα με την επιλογή σας. \*\*Πρόθεμα "A" για στήριξη με βάση οροφής. \*\*\*Διαθέσιμο και σε άλλα χρώματα από το χρωματολόγιο στη σελίδα 10.

## ROMA COB LED

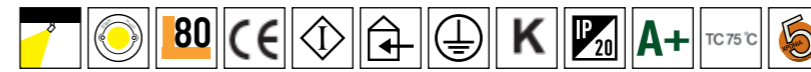


CODE*	WATT	KELVIN	CRI	REFLECTOR DEGREES	LED DRIVER	COLOUR
14	16,2W (16)	3000K (30)	80 (80)	12° (12)	ON - OFF (C)	WHITE (-01)
	23,2W (22)			24° (24)	DALI (D)	BLACK (-03)
	30,4W (31)			40° (40)	1 - 10 V WITH DIM (I)	ALUMINUM (-26)
	35,9W (38)	4000K (40)	97 (97)	60° (60)	PHASE CUT (P)	OTHER*** (-XX)
	49,3W (48)			BASE MOUNTING** (A)		
	FINAL CODE					
14	-- (WATT)	-- (KELVIN)	-- (CRI)	-- (REFLECTOR DEGREES)	-- (LED DRIVER)	-- (COLOUR)



\* To create the final product code add after their original prefix the orange numbers or letters, inside the parentheses, according to your choice. \*\*Prefix "A" for based on wall mounting. \*\*\*Available in other colours, see page 10.

# SPOTLIGHT



<b>BODY</b>	Die cast aluminum
<b>SOURCE</b>	Chip On Board (COB) LED Module
<b>ELECTRIC EQUIPMENT</b>	Constant Current LED Driver: On/Off • Dali • Dim 1-10V with Dimmer • Phase Cut
<b>CHARACTERISTICS</b>	CRI 80 • Colour Consistency <3SDCM • LOR 90 • Power Factor 0,96
<b>UPON REQUEST</b>	Constant Lumen Operation • CCT 2700K - 3500K - 5000K • CRI 90 & 97
<b>REGULATION</b>	Manufactured in accordance with the Regulation EN 60598-1 and CE 93/68/EOK
<b>SPECIAL APPLICATIONS</b>	For food and meat stores
<b>AVAILABLE</b>	Based on wall mounting (prefix A) • Και με βάση για επίτοιχνη στήριξη (πρόθεμα A)
<b>ACCESSORY</b>	Barndoors, code 20-K038-468622  Honeycomb, code 272128 

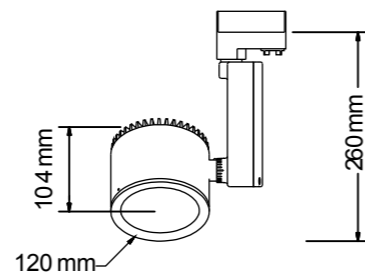
COLOUR TEMPERATURE KELVIN	16,2W @500mA		23,2W @700mA		30,4W @900mA		35,9W @1050mA		49,3W @1400mA	
	Lm	Lm/W	Lm	Lm/W	Lm	Lm/W	Lm	Lm/W	Lm	Lm/W
3000K	2854	176	3899	168	4888	161	5596	156	7247	147
4000K	3011	186	4115	177	5159	170	5907	165	7638	15

\*Luminus flux & power consumption of led. Φωτεινή ροή & κατανάλωση πυρήνα led.

## NEON COB LED



CODE*	WATT	KELVIN	CRI	REFLECTOR DEGREES	LED DRIVER	COLOUR	
05	16,2W (16)	3000K (30)	80 (80)	12° (12)	ON - OFF (C)	WHITE (-01)	
	23,2W (22)			24° (24)	DALI (D)	BLACK (-03)	
	30,4W (30)	4000K (40)	90 (90)	40° (40)	1 - 10 V WITH DIM (I)	ALUMINUM (-26)	
	35,9W (35)			60° (60)	PHASE CUT (P)	OTHER*** (-XX)	
	BASE MOUNTING** (A)						OTHER*** (-XX)
	FINAL CODE						
	05	-- (WATT)	-- (KELVIN)	-- (CRI)	-- (REFLECTOR DEGREES)	-- (LED DRIVER)	-- (COLOUR)

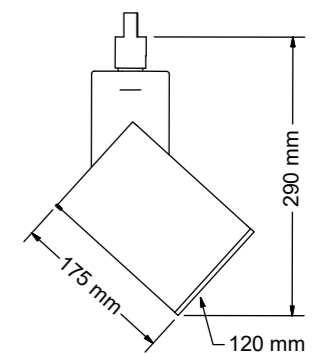


\* Για να δημιουργήσετε τον τελικό κωδικό του προϊόντος που επιθυμείτε, προσθέστε μετά τον αρχικό κωδικό τους πορτοκαλί αριθμούς ή γράμματα που βρίσκονται μέσα στις παρενθέσεις ανάλογα με την επιλογή σας. \*\*Πρόθεμα "A" για στήριξη με βάση οροφής. \*\*\*Διαθέσιμο και σε άλλα χρώματα από το χρωματολόγιο στη σελίδα 10.

## ELITE COB LED





CODE*	WATT	KELVIN	CRI	REFLECTOR DEGREES	LED DRIVER	COLOUR	
10	16,2W (16)	3000K (30)	80 (80)	12° (12)	ON - OFF (C)	WHITE (-01)	
	23,2W (22)			24° (24)	DALI (D)	BLACK (-03)	
	30,4W (27)	4000K (40)	90 (90)	40° (40)	1 - 10 V WITH DIM (I)	ALUMINUM (-26)	
	35,9W (32)			60° (60)	PHASE CUT (P)	OTHER*** (-XX)	
	BASE MOUNTING** (A)						OTHER*** (-XX)
	FINAL CODE						
	10	-- (WATT)	-- (KELVIN)	-- (CRI)	-- (REFLECTOR DEGREES)	-- (LED DRIVER)	-- (COLOUR)



\* To create the final product code add after their original prefix the orange numbers or letters, inside the parentheses, according to your choice. \*\*Prefix "A" for based on wall mounting. \*\*\*Available in other colours, see page 10.

# SPOTLIGHT



<b>BODY</b>	Aluminum
<b>SOURCE</b>	Chip On Board (COB) LED Module
<b>ELECTRIC EQUIPMENT</b>	Constant Current LED Driver: On/Off • Dali • Phase Cut
<b>CHARACTERISTICS</b>	CRi 80 • Colour Consistency <3SDCM • LOR 92 • Power Factor 0,96
<b>UPON REQUEST</b>	Constant Lumen Operation • CCT 2700K - 3500K - 5000K • CRi 90 & 97
<b>REGULATION</b>	Manufactured in accordance with the Regulation EN 60598-1 and CE 93/68/EOK
<b>AVAILABLE</b>	Based on wall mounting (prefix A) • Και με βάση για επίτοιχη στήριξη (πρόθεμα A)
<b>ACCESSORY</b>	Barndoors, code 20-K038-468622  Honeycomb, code 272128 

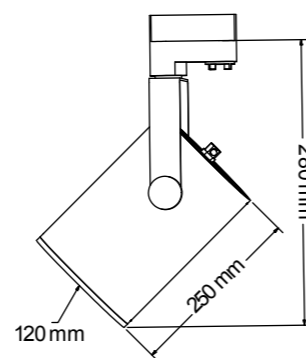
COLOUR TEMPERATURE KELVIN	16,2W @500mA		23,2W @700mA		30,4W @900mA		35,9W @1050mA		49,3W @1400mA	
	Lm	Lm/W	Lm	Lm/W	Lm	Lm/W	Lm	Lm/W	Lm	Lm/W
3000K	2854	176	3899	168	4888	161	5596	156	7247	147
4000K	3011	186	4115	177	5159	170	5907	165	7638	155

\*Luminous flux & power consumption of led. Φωτεινή ροή & κατανάλωση πυρήνα led.

## MILAN COB LED



CODE*	WATT	KELVIN	CRI	REFLECTOR DEGREES	LED DRIVER	COLOUR
55	16,2W (16)	3000K (30)	80 (80)	12° (12)	ON - OFF (C)	WHITE (-01)
	23,2W (22)			24° (24)	DALI (D)	BLACK (-03)
	30,4W (31)		4000K (40)	90 (90)	40° (40)	PHASE CUT (P)
	35,9W (38)	97 (97)			60° (60)	BASE MOUNTING** (A)
	49,3W (42)					
	FINAL CODE					
55	-- (WATT)	-- (KELVIN)	-- (CRI)	-- (REFLECTOR DEGREES)	-- (LED DRIVER)	-- (COLOUR)

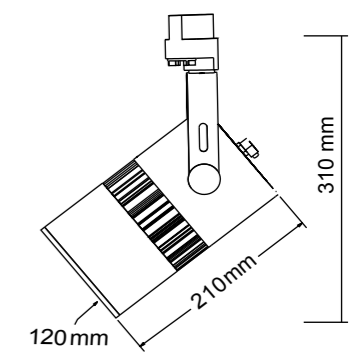


\* Για να δημιουργήσετε τον τελικό κωδικό του προϊόντος που επιθυμείτε, προσθέστε μετά τον αρχικό κωδικό τους πορτοκαλί αριθμούς ή γράμματα που βρίσκονται μέσα στις παρενθέσεις ανάλογα με την επιλογή σας. \*\*Πρόθεμα "A" για στήριξη με βάση οροφής. \*\*\*Διαθέσιμο και σε άλλα χρώματα από το χρωματολόγιο στη σελίδα 10.

## LUGO COB LED

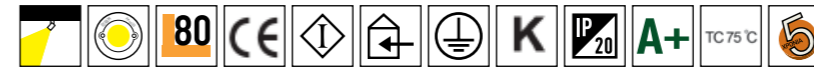


CODE*	WATT	KELVIN	CRI	REFLECTOR DEGREES	LED DRIVER	COLOUR
71	16,2W (16)	3000K (30)	80 (80)	12° (12)	ON - OFF (C)	WHITE (-01)
	23,2W (22)			24° (24)	DALI (D)	BLACK (-03)
	30,4W (31)		4000K (40)	90 (90)	40° (40)	PHASE CUT (P)
	35,9W (38)	97 (97)			60° (60)	BASE MOUNTING** (A)
	49,3W (42)					
	FINAL CODE					
71	-- (WATT)	-- (KELVIN)	-- (CRI)	-- (REFLECTOR DEGREES)	-- (LED DRIVER)	-- (COLOUR)



\* To create the final product code add after their original prefix the orange numbers or letters, inside the parentheses, according to your choice. \*\*Prefix "A" for based on wall mounting. \*\*\*Available in other colours, see page 10.

# SPOTLIGHT



<b>BODY</b>	Aluminum (RUBIN) • Die cast aluminum (NISSOS)
<b>SOURCE</b>	Chip On Board (COB) LED Module
<b>ELECTRIC EQUIPMENT</b>	Constant Current LED Driver: On/Off • Dali • Dim 1-10V with Dimmer • Phase Cut
<b>CHARACTERISTICS</b>	CRI 80 • Colour Consistency <3SDCM • Power Factor 0,96
<b>UPON REQUEST</b>	Constant Lumen Operation • CCT 2700K - 3500K - 5000K • CRI 90 & 97
<b>REGULATION</b>	Manufactured in accordance with the Regulation EN 60598-1 and CE 93/68/EOK
<b>SPECIAL APPLICATIONS</b>	For food and meat stores
<b>AVAILABLE</b>	Based on wall mounting (prefix A) • Και με βάση για επίτοιχνη στήριξη (πρόθεμα A)
<b>ACCESSORY</b>	Barndoors, code 20-K038-468622  Honeycomb, code 272128 

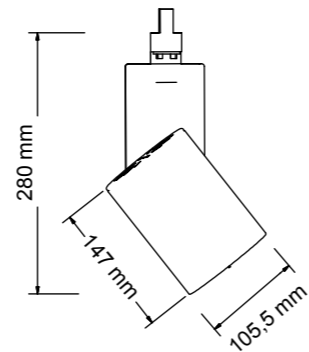
COLOUR TEMPERATURE KELVIN	16,2W @500mA		19,7W @600mA		23,2W @700mA		26,7W @800mA	
	Lm	Lm/W	Lm	Lm/W	Lm	Lm/W	Lm	Lm/W
3000K	2854	176	3384	172	3899	168	4400	165
4000K	3011	186	3571	181	4115	177	4644	174

\*Luminous flux & power consumption of led. Φωτεινή ροή & κατανάλωση πυρήνα led.

## RUBIN COB LED



CODE*	WATT	KELVIN	CRI	REFLECTOR DEGREES	LED DRIVER	COLOUR	
21	16,2W (16)	3000K (30)	80 (80)	12° (12)	ON - OFF (C)	WHITE (-01)	
				24° (24)	DALI (D)	BLACK (-03)	
	19,7W (22)		90 (90)	40° (40)	1 - 10 V WITH DIM (I)	ALUMINUM (-26)	
				60° (60)	PHASE CUT (P)	OTHER*** (-XX)	
	23,2W (33)	4000K (40)	97 (97)	BASE MOUNTING** (A)			
	26,7W (27)						
	FINAL CODE						
	21	-- (WATT)	-- (KELVIN)	-- (CRI)	-- (REFLECTOR DEGREES)	-- (LED DRIVER)	-- (COLOUR)

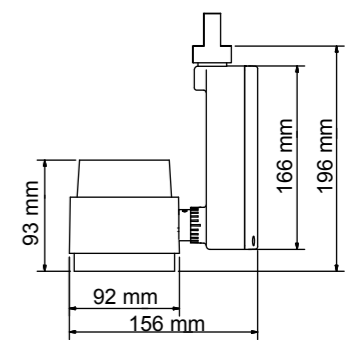


\* Για να δημιουργήσετε τον τελικό κωδικό του προϊόντος που επιθυμείτε, προσθέστε μετά τον αρχικό κωδικό τους πορτοκαλί αριθμούς ή γράμματα που βρίσκονται μέσα στις παρενθέσεις ανάλογα με την επιλογή σας. \*\*Πρόθεμα "A" για στήριξη με βάση οροφής. \*\*\*Διαθέσιμο και σε άλλα χρώματα από το χρωματολόγιο στη σελίδα 10.

## NISSOS COB LED



CODE*	WATT	KELVIN	CRI	REFLECTOR DEGREES	LED DRIVER	COLOUR	
03	16,2W (16)	3000K (30)	80 (80)	12° (12)	ON - OFF (C)	WHITE (-01)	
				24° (24)	DALI (D)	BLACK (-03)	
	19,7W (22)		90 (90)	40° (40)	1 - 10 V WITH DIM (I)	ALUMINUM (-26)	
				60° (60)	PHASE CUT (P)	OTHER*** (-XX)	
	23,2W (23)	4000K (40)	97 (97)	BASE MOUNTING** (A)			
	26,7W (27)						
	FINAL CODE						
	03	-- (WATT)	-- (KELVIN)	-- (CRI)	-- (REFLECTOR DEGREES)	-- (LED DRIVER)	-- (COLOUR)



\* To create the final product code add after their original prefix the orange numbers or letters, inside the parentheses, according to your choice. \*\*Prefix "A" for based on wall mounting. \*\*\*Available in other colours, see page 10.



## SPOTLIGHT



<b>BODY</b>	Aluminum
<b>SOURCE</b>	Chip On Board (COB) LED Module
<b>ELECTRIC EQUIPMENT</b>	Constant Current LED Driver: On/Off • Dali • Dim 1-10V with Dimmer • Phase Cut
<b>CHARACTERISTICS</b>	CRi 80 • Colour Consistency <3SDCM • LOR 90 • Power Factor 0,96
<b>UPON REQUEST</b>	Constant Lumen Operation • CCT 2700K - 3500K - 5000K • CRi 90 & 97
<b>REGULATION</b>	Manufactured in accordance with the Regulation EN 60598-1 and CE 93/68/EOK
<b>SPECIAL APPLICATIONS</b>	For food and meat stores
<b>AVAILABLE</b>	Based on wall mounting (prefix A) • Και με βάση για επίτοιχη στήριξη (πρόθεμα A)
<b>ACCESSORY</b>	Barndoors, code 20-K038-468622  Honeycomb, code 272128 

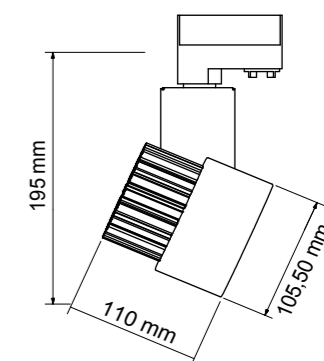
## FLAFY COB LED



COLOUR TEMPERATURE KELVIN	16,2W @500mA		19,7W @600mA		23,2W @700mA		26,7W @800mA	
	Lm	Lm/W	Lm	Lm/W	Lm	Lm/W	Lm	Lm/W
3000K	2854	176	3384	172	3899	168	4400	165
4000K	3011	186	3571	181	4115	177	4644	174

\*Luminus flux & power consuption of led. Φωτεινή ροή & κατανάλωση πυρίνα led.

CODE*	WATT	KELVIN	CRI	REFLECTOR DEGREES	LED DRIVER	COLOUR
15	16,2W (16)	3000K (30)	80 (80)	12° (12)	ON - OFF (C)	WHITE (-01)
	19,7W (22)				DALI (D)	BLACK (-03)
	23,2W (23)	4000K (40)	90 (90)	24° (24)	1 - 10 V WITH DIM (I)	ALUMINUM (-26)
	26,7W (27)				PHASE CUT (P)	OTHER*** (-XX)
BASE MOUNTING** (A)						
FINAL CODE						
15	-- (WATT)	-- (KELVIN)	-- (CRI)	-- (REFLECTOR DEGREES)	-- (LED DRIVER)	-- (COLOUR)



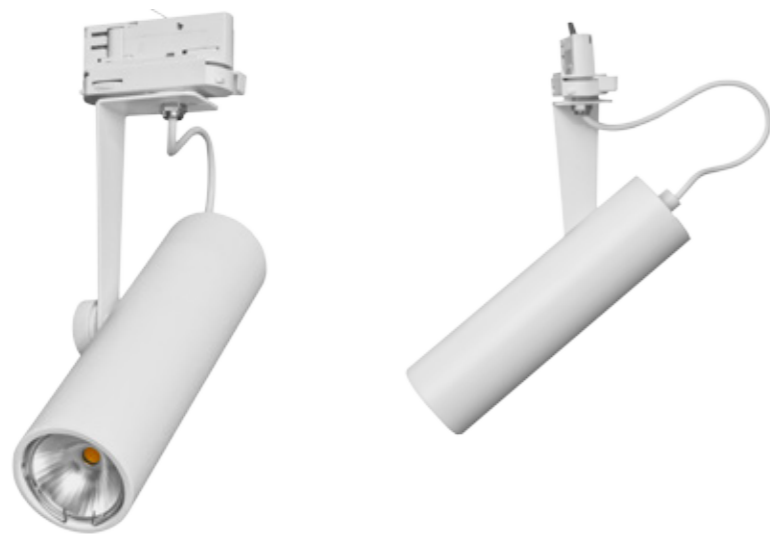
\* To create the final product code add after their original prefix the orange numbers or letters, inside the parentheses, according to your choice. \*\*Prefix "A" for based on wall mounting. \*\*\*Available in other colours, see page 10.

## SPOTLIGHT



<b>BODY</b>	Aluminum
<b>SOURCE</b>	Chip On Board (COB) LED Module • VOSSL0H ActiveLine LED Module • BRIDGELUX V10
<b>ELECTRIC EQUIPMENT</b>	On/Off • Push Button • Dali • Phase Cut
<b>CHARACTERISTICS</b>	CRi 80 • Colour Consistency <3SDCM • LOR 92 • Power Factor 0,97 • Ingress protection IP 20
<b>REGULATION</b>	Manufactured in accordance with the Regulation EN 60598-1 and CE 93/68/EOK
<b>AVAILABLE</b>	Based on wall mounting (prefix A) • Και με βάση για επίτοιχη στήριξη (πρόθεμα A)

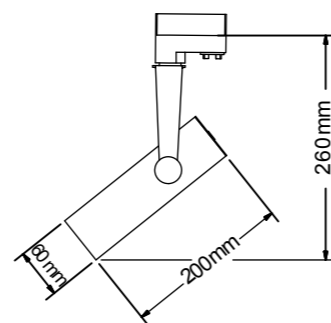
## SLIM COB LED



COLOUR TEMPERATURE KELVIN	6.2W @350mA		9.3W @350mA		11.2W @420mA	
	Lm	Lm/W	Lm	Lm/W	Lm	Lm/W
3000K	615	99	1200	129	1440	129
4000K	645	104	1252	135	1502	134

\*Luminous flux & power consumption of led. Φωτεινή ροή & κατανάλωση πυρήνα led.

CODE*	WATT	KELVIN	CRI	REFLECTOR DEGREES	LED DRIVER	COLOUR
19	6W (06)	3000K (30)	80 (80)	12° (12)	ON - OFF (C)	WHITE (-01)
	9W (09)			25° (25)	DALI (D)	BLACK (-03)
		10W (10)			36° (36)	PUSH BUTTON (B)
	PHASE CUT (P)			OTHER*** (-XX)		
BASE MOUNTING** (A)						
FINAL CODE						
19	-- (WATT)	-- (KELVIN)	-- (CRI)	-- (REFLECTOR DEGREES)	-- (LED DRIVER)	-- (COLOUR)

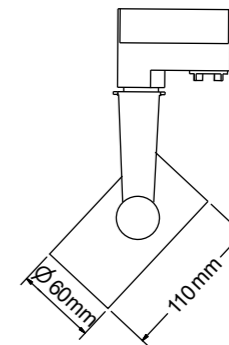


\* Για να δημιουργήσετε τον τελικό κωδικό του προϊόντος που επιθυμείτε, προσθέστε μετά τον αρχικό κωδικό τους πορτοκαλί αριθμούς ή γράμματα που βρίσκονται μέσα στις παρενθέσεις ανάλογα με την επιλογή σας. \*\*Πρόθεμα "A" για στήριξη με βάση οροφής. \*\*\*Διαθέσιμο και σε άλλα χρώματα από το χρωματολόγιο στη σελίδα 10.



<b>BODY</b>	Aluminum
<b>SOURCE</b>	Chip On Board (COB) LED Module • Osram PrevaLED Coin 50 G2 Module
<b>ELECTRIC EQUIPMENT</b>	On/Of • Phase Cut
<b>CHARACTERISTICS</b>	CRi 80 • Colour Consistency <3SDCM • LOR 92 • Power Factor 0,97 • Ingress protection IP 20
<b>REGULATION</b>	Manufactured in accordance with the Regulation EN 60598-1 and CE 93/68/EOK
<b>AVAILABLE</b>	Based on wall mounting (prefix A) • Και με βάση για επίτοιχη στήριξη (πρόθεμα A)

## LIKA MINI COIN

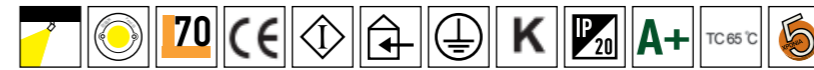




CODE*	CHARACTERISTICS
703799541511	COIN COB, 1430LM, 830, 24 μοίρες
711199541511	COIN COB, 1510LM, 840, 24 μοίρες

\*Prefix "A" for based on wall mounting. Available in other colours, see page 10.



# SPOTLIGHT



<b>BODY</b>	Die cast aluminum
<b>SOURCE</b>	OSRAM AC PRO LED Module 230 V and VOSSLOH SCWABE (ON BOARD)
<b>ELECTRIC EQUIPMENT</b>	On/Off
<b>CHARACTERISTICS</b>	CRi 83 • LOR 92 • Power Factor 0,98 • Ingress protection IP 20
<b>REGULATION</b>	Manufactured in accordance with the Regulation EN 60598-1 and CE 93/68/EOK
<b>AVAILABLE</b>	Based on wall mounting (prefix A) • Και με βάση για επίτοιχη στήριξη (πρόθεμα A)
<b>ACCESSORY</b>	Barndoors, code 20-K038-468622  Honeycomb, code 272128 

COLOUR TEMPERATURE KELVIN	20W		33,3W		40W	
	Lm	Lm/W	Lm	Lm/W	Lm	Lm/W
3000	1816	91	2724	82	3800	99
4000	1871	94	2806	84	3920	98

\*Luminus flux & power consumption of led. Φωτεινή ροή & κατανάλωση πυρήνα led.

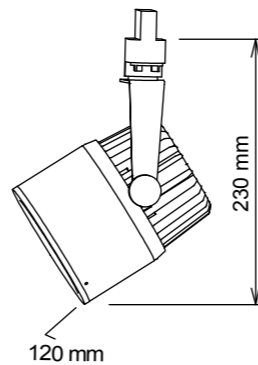
## CYCLOTRON AC LED



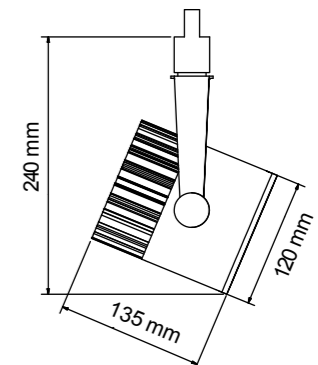
## ROMA AC LED



CODE*	WATT	KELVIN	CRI	REFLECTOR DEGREES	LED DRIVER	COLOUR
79	20W (15)	3000K (30)	80 (80)	12° (12)	ON - OFF (C)	WHITE (-01)
	33,3W (20)			24° (24)		BLACK (-03)
		40W (40)		40° (40)	BASE MOUNTING** (A)	ALUMINUM (-26)
				4000K (40)	60° (60)	
FINAL CODE						
79	-- (WATT)	-- (KELVIN)	-- (CRI)	-- (REFLECTOR DEGREES)	-- (LED DRIVER)	-- (COLOUR)



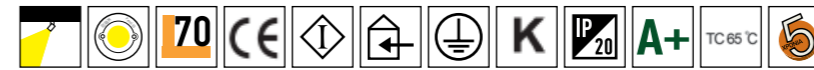
CODE*	WATT	KELVIN	CRI	REFLECTOR DEGREES	LED DRIVER	COLOUR
13	20W (20)	3000K (30)	80 (80)	12° (12)	ON - OFF (C)	WHITE (-01)
	33,3W (30)			24° (24)		BLACK (-03)
		40W (40)		40° (40)	BASE MOUNTING** (A)	ALUMINUM (-26)
				4000K (40)	60° (60)	
FINAL CODE						
13	-- (WATT)	-- (KELVIN)	-- (CRI)	-- (REFLECTOR DEGREES)	-- (LED DRIVER)	-- (COLOUR)



\* Για να δημιουργήσετε τον τελικό κωδικό του προϊόντος που επιθυμείτε, προσθέστε μετά τον αρχικό κωδικό τους πορτοκαλί αριθμούς ή γράμματα που βρίσκονται μέσα στις παρενθέσεις ανάλογα με την επιλογή σας. \*\*Πρόθεμα "A" για στήριξη με βάση οροφής. \*\*\*Διαθέσιμο και σε άλλα χρώματα από το χρωματολόγιο στη σελίδα 10.

\* To create the final product code add after their original prefix the orange numbers or letters, inside the parentheses, according to your choice. \*\*Prefix "A" for based on wall mounting. \*\*\*Available in other colours, see page 10.

# SPOTLIGHT

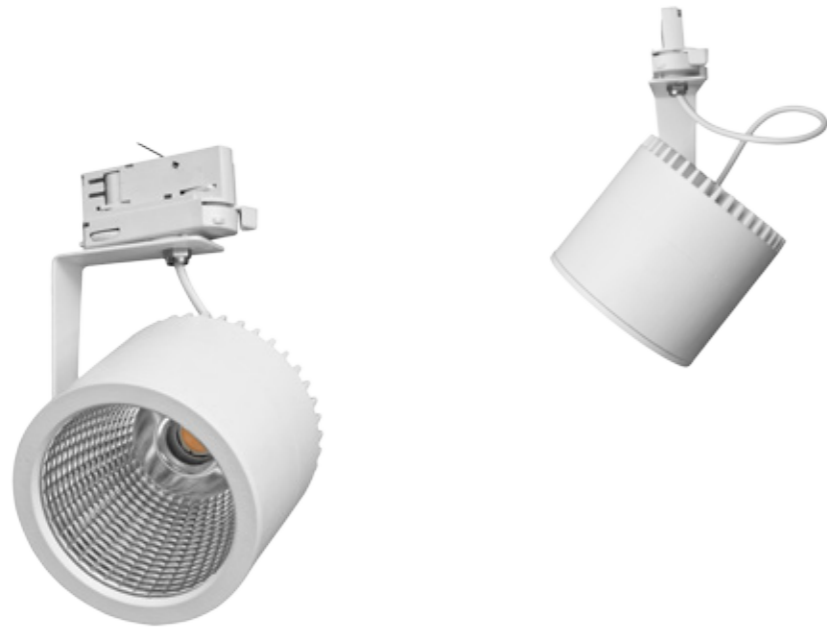


**BODY** Die cast aluminum  
**SOURCE** OSRAM AC PRO LED Module 230 V and VOSSLOH SCWABE (ON BOARD)  
**ELECTRIC EQUIPMENT** On/Off  
**CHARACTERISTICS** CRi 83 • LOR 92 • Power Factor 0,98 • Ingress protection IP 20  
**REGULATION** Manufactured in accordance with the Regulation EN 60598-1 and CE 93/68/EOK  
**AVAILABLE** Based on wall mounting (prefix A) • Και με βάση για επίτοιχη στήριξη (πρόθεμα A)  
**ACCESSORY** Barndoors, code 20-K038-468622 Honeycomb, code 272128

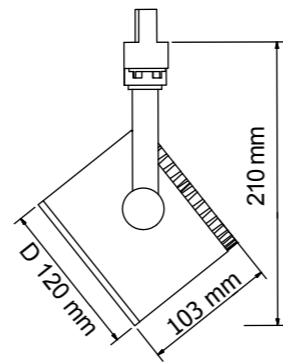
COLOUR TEMPERATURE KELVIN	20W		33,3W	
	Lm	Lm/W	Lm	Lm/W
3000	1816	91	2724	82
4000	1871	94	2806	84

\*Luminous flux & power consumption of led. Φωτεινή ροή & κατανάλωση πυρίνα led.

## NEON AC LED



CODE*	WATT	KELVIN	CRI	REFLECTOR DEGREES	LED DRIVER	COLOUR
06	20W (20)	3000K (30)	80 (80)	12° (12)	ON - OFF (C)	WHITE (-01)
				24° (24)		BLACK (-03)
	33,3W (32)	4000K (40)		40° (40)	BASE MOUNTING** (A)	ALUMINUM (-26)
				60° (60)		OTHER*** (-XX)
FINAL CODE						
06	-- (WATT)	-- (KELVIN)	-- (CRI)	-- (REFLECTOR DEGREES)	-- (LED DRIVER)	-- (COLOUR)

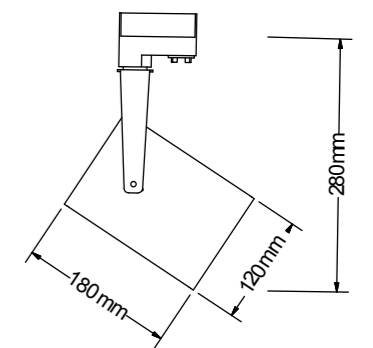


\* Για να δημιουργήσετε τον τελικό κωδικό του προϊόντος που επιθυμείτε, προσθέστε μετά τον αρχικό κωδικό τους πορτοκαλί αριθμούς ή γράμματα που βρίσκονται μέσα στις παρενθέσεις ανάλογα με την επιλογή σας. \*\*Πρόθεμα "A" για στήριξη με βάση οροφής. \*\*\*Διαθέσιμο και σε άλλα χρώματα από το χρωματολόγιο στη σελίδα 10.

## ELITE AC LED

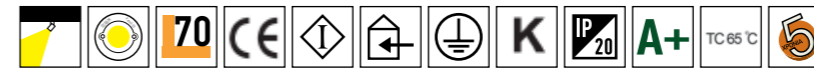




CODE*	WATT	KELVIN	CRI	REFLECTOR DEGREES	LED DRIVER	COLOUR
10	20W (20)	3000K (30)	80 (80)	12° (12)	ON - OFF (C)	WHITE (-01)
				24° (24)		BLACK (-03)
	33,3W (33)	4000K (40)		40° (40)	BASE MOUNTING** (A)	ALUMINUM (-26)
				60° (60)		OTHER*** (-XX)
FINAL CODE						
10	-- (WATT)	-- (KELVIN)	-- (CRI)	-- (REFLECTOR DEGREES)	-- (LED DRIVER)	-- (COLOUR)



\* To create the final product code add after their original prefix the orange numbers or letters, inside the parentheses, according to your choice. \*\*Prefix "A" for based on wall mounting. \*\*\*Available in other colours, see page 10.

# SPOTLIGHT



<b>BODY</b>	Aluminum (RUBIN AC LED) • Die cast aluminum (NISSOS AC LED)
<b>SOURCE</b>	Osram AC PRO LED Module 230 V (RUBIN AC LED) • OSRAM PrevaLED Core AC G2 230 V (NISSOS AC LED) (ON BOARD)
<b>ELECTRIC EQUIPMENT</b>	On/Off
<b>CHARACTERISTICS</b>	CRi 83 • LOR 92 • Power Factor 0,98 • Ingress protection IP 20
<b>REGULATION</b>	Manufactured in accordance with the Regulation EN 60598-1 and CE 93/68/EOK
<b>AVAILABLE</b>	Based on wall mounting (prefix A) • Και με βάση για επίτοιχη στήριξη (πρόθεμα A)
<b>ACCESSORY</b>	Barndoors, code 20-K038-468622  Honeycomb, code 272128 

COLOUR TEMPERATURE KELVIN	20W	
	Lm	Lm/W
3000K	1816	91
4000K	1871	94

\*Luminous flux & power consumption of led. Φωτεινή ροή & κατανάλωση πυρήνα led.

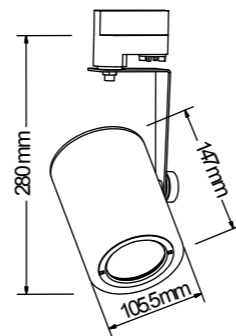
## RUBIN AC LED



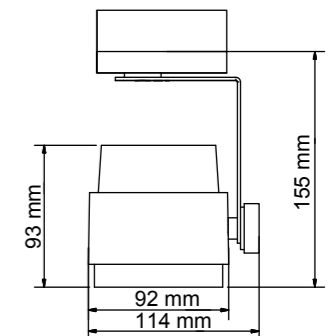
## NISSOS AC LED



CODE*	WATT	KELVIN	CRI	REFLECTOR DEGREES	LED DRIVER	COLOUR
21	20W (20)	3000K (30)	80 (80)	12° (12)	ON - OFF (C)	WHITE (-01)
				40° (40)		BLACK (-03)
		4000K (40)		BASE MOUNTING** (A)	ALUMINUM (-26)	
					OTHER*** (-XX)	
FINAL CODE						
21	-- (WATT)	-- (KELVIN)	-- (CRI)	-- (REFLECTOR DEGREES)	-- (LED DRIVER)	-- (COLOUR)



CODE*	WATT	KELVIN	CRI	REFLECTOR DEGREES	LED DRIVER	COLOUR
04	20W (20)	3000K (30)	80 (80)	12° (12)	ON - OFF (C)	WHITE (-01)
				40° (40)		BLACK (-03)
		4000K (40)		BASE MOUNTING** (A)	ALUMINUM (-26)	
					OTHER*** (-XX)	
FINAL CODE						
04	-- (WATT)	-- (KELVIN)	-- (CRI)	-- (REFLECTOR DEGREES)	-- (LED DRIVER)	-- (COLOUR)





\* Για να δημιουργήσετε τον τελικό κωδικό του προϊόντος που επιθυμείτε, προσθέστε μετά τον αρχικό κωδικό τους πορτοκαλί αριθμούς ή γράμματα που βρίσκονται μέσα στις παρενθέσεις ανάλογα με την επιλογή σας. \*\*Πρόθεμα "A" για στήριξη με βάση οροφής. \*\*\*Διαθέσιμο και σε άλλα χρώματα από το χρωματολόγιο στη σελίδα 10.

\* To create the final product code add after their original prefix the orange numbers or letters, inside the parentheses, according to your choice. \*\*Prefix "A" for based on wall mounting. \*\*\*Available in other colours, see page 10.

# SPOTLIGHT



<b>BODY</b>	Aluminum
<b>SOURCE</b>	Osrn AC PRO LED Module 230 V (ON BOARD)
<b>ELECTRIC EQUIPMENT</b>	On/Off
<b>CHARACTERISTICS</b>	CRi 83 • LOR 92 • Power factor 0,98 • Ingress protection IP 20
<b>REGULATION</b>	Manufactured in accordance with the Regulation EN 60598-1 and CE 93/68/EOK
<b>AVAILABLE</b>	Based on wall mounting (prefix A) • Και με βάση για επίτοιχη στήριξη (πρόθεμα A)
<b>ACCESSORY</b>	Barndoors, code 20-K038-468622  Honeycomb, code 272128 

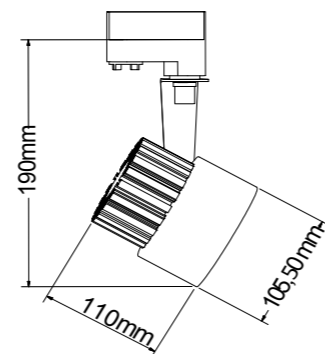
# FLAFY AC LED



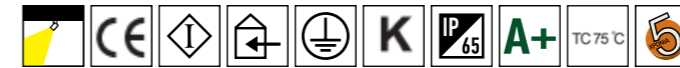
COLOUR TEMPERATURE KELVIN	20W	
	Lm	Lm/W
3000K	1816	91
4000K	1871	94

\*Luminous flux & power consumption of led. Φωτεινή ροή & κατανάλωση πυρίνη led.

CODE*	WATT	KELVIN	CRI	REFLECTOR DEGREES	LED DRIVER	COLOUR
16	20W (20)	3000K (30)	80 (80)	12° (12)	ON - OFF (C)	WHITE (-01)
				40° (40)		BLACK (-03)
		4000K (40)		BASE MOUNTING** (A)	ALUMINUM (-26)	
					OTHER*** (-XX)	
FINAL CODE						
16	-- (WATT)	-- (KELVIN)	-- (CRI)	-- (REFLECTOR DEGREES)	-- (LED DRIVER)	-- (COLOUR)



\* Για να δημιουργήσετε τον τελικό κωδικό του προϊόντος που επιθυμείτε, προσθέστε μετά τον αρχικό κωδικό τους πορτοκαλί αριθμούς ή γράμματα που βρίσκονται μέσα στις παρενθέσεις ανάλογα με την επιλογή σας. \*\*Πρόθεμα "A" για στήριξη με βάση οροφής. \*\*\*Διαθέσιμο και σε άλλα χρώματα από το χρωματολόγιο στη σελίδα 10.



<b>BODY</b>	Die cast aluminum
<b>SOURCE</b>	VOSSLOH ReadyLine COB (ON BOARD)
<b>ELECTRIC EQUIPMENT</b>	On/Off
<b>CHARACTERISTICS</b>	CRi 80 • Colour Consistency <3SDCM • LOR 92 • Power Factor 0,95 • Ingress protection IP 65
<b>REGULATION</b>	Manufactured in accordance with the Regulation EN 60598-1 and CE 93/68/EOK
<b>AVAILABLE</b>	Based on wall mounting (prefix A) • Και με βάση για επίτοιχη στήριξη (πρόθεμα A)

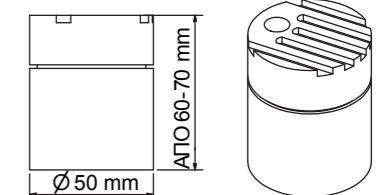
# ALFA AC LED



COLOUR TEMPERATURE KELVIN	4W		6W		8W	
	Lm	Lm/W	Lm	Lm/W	Lm	Lm/W
3000K	352	88	498	83	656	82
4000K	368	92	522	87	688	86

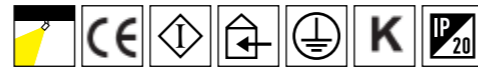
\*Luminous flux & power consumption of led. Φωτεινή ροή & κατανάλωση πυρίνη led.



CODE*	WATT	KELVIN	CRI	REFLECTOR DEGREES	LED DRIVER	COLOUR
7028	4W (4)	3000K (3)	80 (8)	24° (24)	ON - OFF (C)	WHITE (-01)
						BLACK (-03)
	6W (6)	4000K (4)		BASE MOUNTING** (A)	ALUMINUM (-26)	
					OTHER*** (-XX)	
8W (8)						
	FINAL CODE					
7028	-- (WATT)	-- (KELVIN)	-- (CRI)	-- (REFLECTOR DEGREES)	-- (LED DRIVER)	-- (COLOUR)



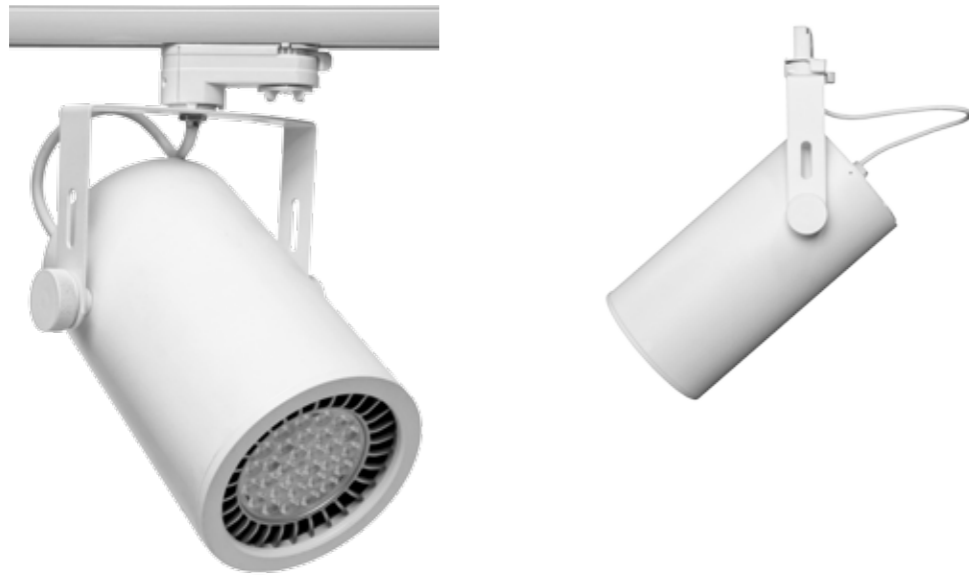
\* To create the final product code add after their original prefix the orange numbers or letters, inside the parentheses, according to your choice. \*\*Prefix "A" for based on wall mounting. \*\*\*Available in other colours, see page 10.

## SPOTLIGHT

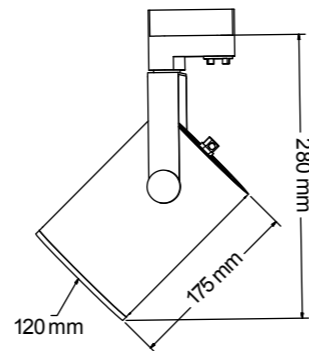


<b>BODY</b>	Die cast aluminum
<b>LAMP HOLDER</b>	G 53 12 V • GU 10 • E 27
<b>ELECTRIC EQUIPMENT</b>	On/Off • Dimmable Led Driver
<b>REGULATION</b>	Manufactured in accordance with the Regulation EN 60598-1 and CE 93/68/EOK
<b>AVAILABLE</b>	Based on wall mounting (prefix A) • Και με βάση για επίτοιχνη στήριξη (πρόθεμα A)
<b>ACCESSORY</b>	Barndoors, code 20-K038-468622  Honeycomb, code 272128 

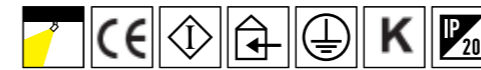
## FIVOS



CODE*	CHARACTERISTICS
711198541511	COIN COB, 2800LM, 830, 24 degrees
711199541634	COIN COB, 4300LM, 830, 24 degrees
71111 - __ (COLOUR)	R111 WITH TRANSFORMER max 100W 12V
10111 - __ (COLOUR)	ES111 230V GU10
10112 - __ (COLOUR)	E 27



\* Πρόθεμα "A" για στήριξη με βάση οροφής. Διαθέσιμο και σε άλλα χρώματα από το χρωματολόγιο στη σελίδα 10.

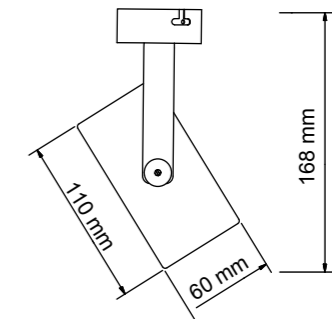


<b>BODY</b>	Aluminum
<b>LAMP HOLDER</b>	GU 10
<b>REGULATION</b>	Manufactured in accordance with the Regulation EN 60598-1 and CE 93/68/EOK
<b>AVAILABLE</b>	Based on wall mounting (prefix A) • Και με βάση για επίτοιχνη στήριξη (πρόθεμα A)

## LIKA



CODE*	CHARACTERISTICS
7030 - __ (COLOUR)*	WITHOUT LAMP
7038-01-38	WHITE ORANGE CROWN
7038-01-03	WHITE BLACK CROWN
7038-01-34	WHITE BURGUNDY CROWN
7038-03-01	BLACK WHITE CROWN
7038-03-38	BLACK BURGUNDY CROWN
7038-03-34	BLACK ORANGE CROWN
7038-26-01	ALUMINUM WHITE CROWN
7038-26-38	ALUMINUM ORANGE CROWN
7038-26-34	ALUMINUM BURGUNDY CROWN



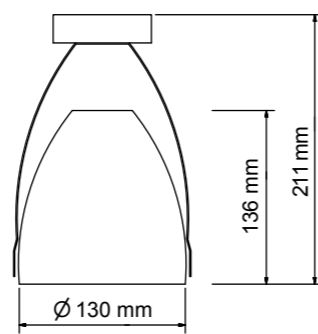
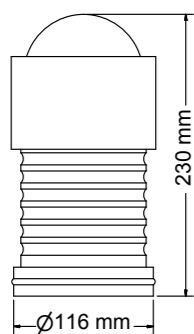
\* Prefix "A" for based on wall mounting. Available in other colours, see page 10.

## SPOTLIGHT

<b>BODY</b>	Aluminum
<b>LAMP HOLDER</b>	G 53 12 V • GU 10 • E 27
<b>REGULATION</b>	Manufactured in accordance with the Regulation EN 60598-1 and CE 93/68/EOK
<b>AVAILABLE</b>	Based on wall mounting (prefix A) • Και με βάση για επίτοιχη στήριξη (πρόθεμα A)

## MINI GOTHIC

## ORFEAS



CODE*	CHARACTERISTICS
7511-1- __ (COLOUR)	AR 111 1X100W 12V WITH ELECTRONIC TRANSFORMER
7535 - __ (COLOUR)	E 27
7575 - __ (COLOUR)	GU 10

\* Πρόθεμα "A" για στήριξη με βάση οροφής. Διαθέσιμο και σε άλλα χρώματα από το χρωματολόγιο στη σελίδα 10.

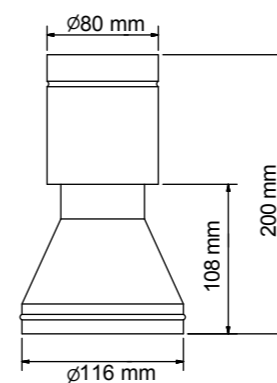
CODE*	CHARACTERISTICS
7111/1- __ (COLOUR)	AR 111 1X100W 12V WITH ELECTRONIC TRANSFORMER
7175 - __ (COLOUR)	GU 10

\* Πρόθεμα "A" για στήριξη με βάση οροφής. Διαθέσιμο και σε άλλα χρώματα από το χρωματολόγιο στη σελίδα 10.



<b>BODY</b>	Aluminum
<b>LAMP HOLDER</b>	G 53 • GU 10 • E 27
<b>REGULATION</b>	Manufactured in accordance with the Regulation EN 60598-1 and CE 93/68/EOK
<b>AVAILABLE</b>	Based on wall mounting (prefix A) Και με βάση για επίτοιχη στήριξη (πρόθεμα A)

## STAR

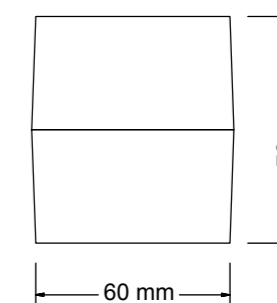


CODE*	CHARACTERISTICS
7211 - __ (COLOUR)	AR 111 1X100W 12V WITH ELECTRONIC TRANSFORMER
7225 - __ (COLOUR)	GU10
7230 - __ (COLOUR)	E27

\* Prefix "A" for based on wall mounting. Available in other colours, see page 10.

<b>BODY</b>	Die cast aluminum
<b>LAMP HOLDER</b>	GU 10
<b>REGULATION</b>	Manufactured in accordance with the Regulation EN 60598-1 and CE 93/68/EOK

## HALL



CODE*	CHARACTERISTICS	EXTERNAL DIMENSION
720	GU10	6X6cm height 7cm

\* Available in other colours, see page 10.

# SPOTLIGHT

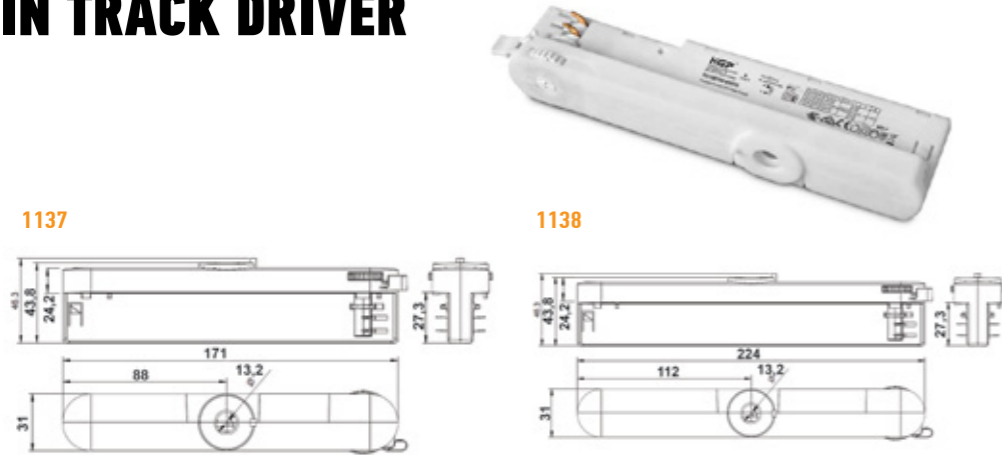


**PRODUCT DESCRIPTION** Different power range adjustable with DIP switch • Constant current LED driver • Lifetime up to 50000 hours • Insulation Class: I,II • Temperature protection comply with EN61347-2-13 CE 5 Years warranty

**PERFORMANCE** Case: Polycarbonate, fire-protection rating: 94-V0 conformed with ROHS • Red copper alloy contacts 2KV surge • Ingress protection: IP20

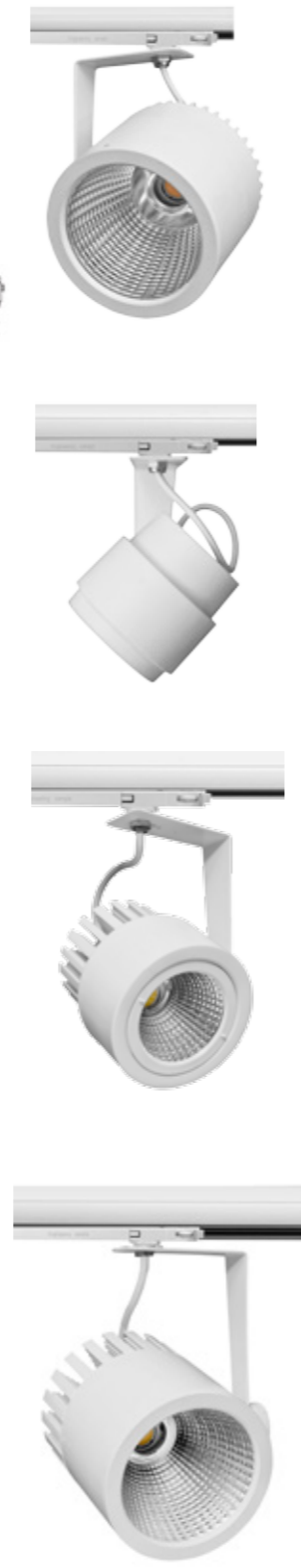
**PROTECTIONS** Over-load protection • No-load protection • Short Circuit protection • Under-voltage protection

## IN TRACK DRIVER














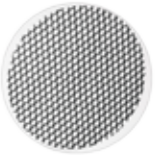
CODE	DESCRIPTION
1137-01	WHITE 20W 0,15-0,5A 42V
1137-03	BLACK 20W 0,15-0,5A 42V
1138-01	WHITE 42W 0,3-1,05A 42V
1138-03	BLACK 42W 0,3-1,05A 42V

DESCRIPTION	VALUE	UNIT
Rated input voltage range	220-240	V ac
Rated input voltage	230	V ac
Rated input frequency range	50...60	Hz
Rated input current	0.11	A
Max. input current	0.12	A
Rated input power	50	W
Power factor	0.9	
Total harmonic distortion	20	%
Efficiency	85	%
Input voltage AC range	202...254	V ac
Input frequency AC range	47.5...63	Hz
Isolation input to output	SELV	
Regulation method	Constant Current	
Output voltage	10...42	V dc
Output voltage max.	60	V
Output current	0.15...0.5	A
Output current tolerance	± 5	%
Output current ripple LF	≤ 4	%
Output power	5...20	W



## SPOTLIGHT - ACCESSORIES



																		
<table border="1"> <thead> <tr> <th>CODE</th> <th>DESCRIPTION</th> </tr> </thead> <tbody> <tr> <td>1110</td> <td>ADAPTOR - 3PHASE TRACK</td> </tr> </tbody> </table>	CODE	DESCRIPTION	1110	ADAPTOR - 3PHASE TRACK	<table border="1"> <thead> <tr> <th>CODE</th> <th>DESCRIPTION</th> </tr> </thead> <tbody> <tr> <td>1112</td> <td>POWER ADAPTOR - 3PHASE TRACK</td> </tr> </tbody> </table>	CODE	DESCRIPTION	1112	POWER ADAPTOR - 3PHASE TRACK	<table border="1"> <thead> <tr> <th>CODE</th> <th>DESCRIPTION</th> </tr> </thead> <tbody> <tr> <td>1129</td> <td>LINEAR ADAPTOR - 3PHASE TRACK</td> </tr> </tbody> </table>	CODE	DESCRIPTION	1129	LINEAR ADAPTOR - 3PHASE TRACK				
CODE	DESCRIPTION																	
1110	ADAPTOR - 3PHASE TRACK																	
CODE	DESCRIPTION																	
1112	POWER ADAPTOR - 3PHASE TRACK																	
CODE	DESCRIPTION																	
1129	LINEAR ADAPTOR - 3PHASE TRACK																	
																		
<table border="1"> <thead> <tr> <th>CODE</th> <th>DESCRIPTION</th> </tr> </thead> <tbody> <tr> <td>1111</td> <td>COVER - 3PHASE TRACK</td> </tr> </tbody> </table>	CODE	DESCRIPTION	1111	COVER - 3PHASE TRACK	<table border="1"> <thead> <tr> <th>CODE</th> <th>DESCRIPTION</th> </tr> </thead> <tbody> <tr> <td>1132</td> <td>90 DEGREES CONNECTOR - 3PHASE TRACK</td> </tr> </tbody> </table>	CODE	DESCRIPTION	1132	90 DEGREES CONNECTOR - 3PHASE TRACK	<table border="1"> <thead> <tr> <th>CODE</th> <th>DESCRIPTION</th> </tr> </thead> <tbody> <tr> <td>1136</td> <td>FLEXIBLE CONNECTOR- 3PHASE TRACK</td> </tr> </tbody> </table>	CODE	DESCRIPTION	1136	FLEXIBLE CONNECTOR- 3PHASE TRACK				
CODE	DESCRIPTION																	
1111	COVER - 3PHASE TRACK																	
CODE	DESCRIPTION																	
1132	90 DEGREES CONNECTOR - 3PHASE TRACK																	
CODE	DESCRIPTION																	
1136	FLEXIBLE CONNECTOR- 3PHASE TRACK																	
																		
<table border="1"> <thead> <tr> <th>CODE</th> <th>DESCRIPTION</th> </tr> </thead> <tbody> <tr> <td>1130</td> <td>T CONNECTOR - 3PHASE TRACK</td> </tr> </tbody> </table>	CODE	DESCRIPTION	1130	T CONNECTOR - 3PHASE TRACK	<table border="1"> <thead> <tr> <th>CODE</th> <th>DESCRIPTION</th> </tr> </thead> <tbody> <tr> <td>1135</td> <td>POWER ADAPTOR DOUBLE- 3PHASE TRACK</td> </tr> </tbody> </table>	CODE	DESCRIPTION	1135	POWER ADAPTOR DOUBLE- 3PHASE TRACK	<table border="1"> <thead> <tr> <th>CODE</th> <th>DESCRIPTION</th> </tr> </thead> <tbody> <tr> <td>20-K038-468622</td> <td>Barndoors</td> </tr> </tbody> </table>	CODE	DESCRIPTION	20-K038-468622	Barndoors				
CODE	DESCRIPTION																	
1130	T CONNECTOR - 3PHASE TRACK																	
CODE	DESCRIPTION																	
1135	POWER ADAPTOR DOUBLE- 3PHASE TRACK																	
CODE	DESCRIPTION																	
20-K038-468622	Barndoors																	
																		
<table border="1"> <thead> <tr> <th>CODE</th> <th>DESCRIPTION</th> </tr> </thead> <tbody> <tr> <td>1114</td> <td>3PHASE TRACK 1 m</td> </tr> <tr> <td>1115</td> <td>3PHASE TRACK 2 m</td> </tr> <tr> <td>1116</td> <td>3PHASE TRACK 3 m</td> </tr> </tbody> </table>	CODE	DESCRIPTION	1114	3PHASE TRACK 1 m	1115	3PHASE TRACK 2 m	1116	3PHASE TRACK 3 m	<table border="1"> <thead> <tr> <th>CODE</th> <th>DESCRIPTION</th> </tr> </thead> <tbody> <tr> <td>96506</td> <td>MOUNTING KIT TRACK</td> </tr> </tbody> </table>	CODE	DESCRIPTION	96506	MOUNTING KIT TRACK	<table border="1"> <thead> <tr> <th>CODE</th> <th>DESCRIPTION</th> </tr> </thead> <tbody> <tr> <td>272128</td> <td>Honeycomb</td> </tr> </tbody> </table>	CODE	DESCRIPTION	272128	Honeycomb
CODE	DESCRIPTION																	
1114	3PHASE TRACK 1 m																	
1115	3PHASE TRACK 2 m																	
1116	3PHASE TRACK 3 m																	
CODE	DESCRIPTION																	
96506	MOUNTING KIT TRACK																	
CODE	DESCRIPTION																	
272128	Honeycomb																	

# DOWNLIGHT







# DOWNLIGHT

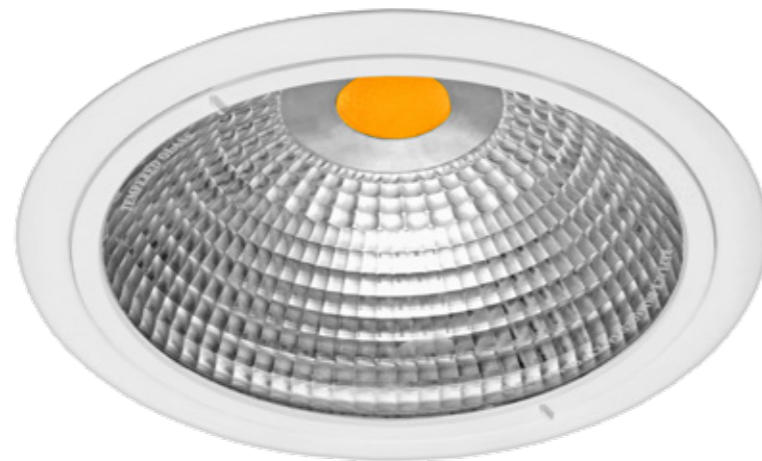


<b>BODY</b>	Die cast aluminum
<b>SOURCE</b>	Chip On Board (COB) LED Module
<b>ELECTRIC EQUIPMENT</b>	Constant Current LED Driver: On/Off • Dali • Dim 1-10V • Phase Cut • Push Button • Emergency
<b>CHARACTERISTICS</b>	CRI 80 • Colour Consistency <3SDCM • LOR 91 • Power Factor 0,96
<b>UPON REQUEST</b>	Constant Lumen Operation • CCT 2700K - 3500K - 5000K • CRI 90 & 97
<b>REGULATION</b>	Manufactured in accordance with the Regulation EN 60598-1 and CE 93/68/EOK
<b>SPECIAL APPLICATIONS</b>	For food and meat stores

COLOUR TEMPERATURE KELVIN	16,2W @500mA		23,2W @700mA		30,4W @900mA		35,9W @1050mA		41,6W @1200mA		49,3W @1400mA	
	Lm	Lm/W	Lm	Lm/W	Lm	Lm/W	Lm	Lm/W	Lm	Lm/W	Lm	Lm/W
3000K	2854	176	3899	168	4888	161	5596	156	6278	151	7247	147
4000K	3011	186	4115	177	5159	170	5907	165	6628	159	7638	155

\*Luminous flux & power consumption of led. Φωτεινή ροή & κατανάλωση πυρήνα led.

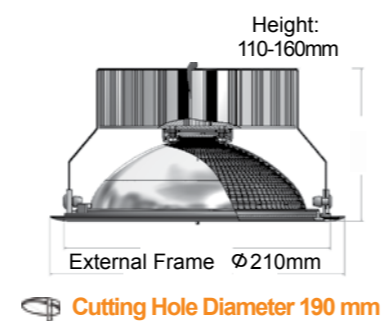
## MEDIE COB LED



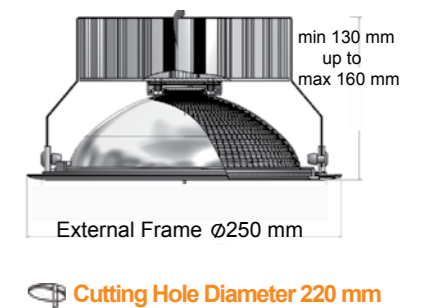
## LARGE COB LED



CODE*	WATT	KELVIN	CRI	REFLECTOR DEGREES	LED DRIVER	COLOUR		
22	16,2W (16)	3000K (30)	80 (80)	78° (78)	ON - OFF (C)	WHITE (-01)		
	23,2W (22)				DALI (D)	BLACK (-03)		
	30,4W (31)		90 (90)		DIM 1 - 10 V (V)		ALUMINUM (-26)	
	35,9W (35)				PHASE CUT (P)	4000K (40)		OTHER** (-XX)
	41,6W (42)	97 (97)	PUSH BUTTON (B)		ALUMINUM (-26)			
	49,3W (49)		EMERGENCY (A)				OTHER** (-XX)	
	FINAL CODE							
	22	-- (WATT)	-- (KELVIN)		-- (CRI)	-- (REFLECTOR DEGREES)	-- (LED DRIVER)	-- (COLOUR)



CODE*	WATT	KELVIN	CRI	REFLECTOR DEGREES	LED DRIVER	COLOUR		
32	16,2W (16)	3000K (30)	80 (80)	78° (78)	ON - OFF (C)	WHITE (-01)		
	23,2W (22)				DALI (D)	BLACK (-03)		
	30,4W (31)		90 (90)		DIM 1 - 10 V (V)		ALUMINUM (-26)	
	35,9W (35)				PHASE CUT (P)	4000K (40)		OTHER** (-XX)
	41,6W (42)	97 (97)	PUSH BUTTON (B)		ALUMINUM (-26)			
	49,3W (49)		EMERGENCY (A)				OTHER** (-XX)	
	FINAL CODE							
	32	-- (WATT)	-- (KELVIN)		-- (CRI)	-- (REFLECTOR DEGREES)	-- (LED DRIVER)	-- (COLOUR)

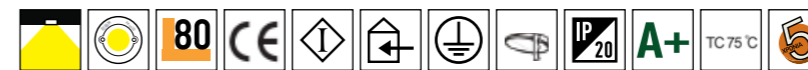


\* Για να δημιουργήσετε τον τελικό κωδικό του προϊόντος που επιθυμείτε, προσθέστε μετά τον αρχικό κωδικό τους πορτοκαλί αριθμούς ή γράμματα που βρίσκονται μέσα στις παρενθέσεις ανάλογα με την επιλογή σας.

\*\* Διαθέσιμο και σε άλλα χρώματα από το χρωματολόγιο στη σελίδα 10.

\* To create the final product code add after their original prefix the orange numbers or letters, inside the parentheses, according to your choice. \*\*Available in other colours, see page 10.

# DOWNLIGHT

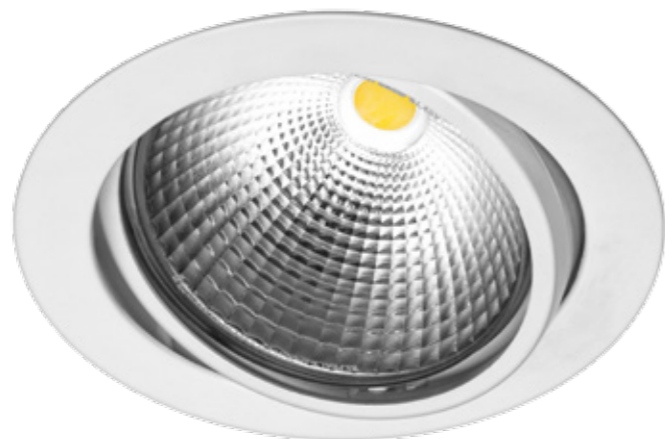


<b>BODY</b>	Die cast aluminum
<b>SOURCE</b>	Chip On Board (COB) LED Module
<b>ELECTRIC EQUIPMENT</b>	Constant Current LED Driver: On/Off • Dali • Dim 1-10V • Phase Cut • Push Button • Emergency
<b>CHARACTERISTICS</b>	CRI 80 • Colour Consistency <3SDCM • LOR 91 • Power Factor 0,96
<b>UPON REQUEST</b>	Constant Lumen Operation • CCT 2700K - 3500K - 5000K • CRI 90 & 97
<b>REGULATION</b>	Manufactured in accordance with the Regulation EN 60598-1 and CE 93/68/EOK
<b>SPECIAL APPLICATIONS</b>	For food and meat stores

COLOUR TEMPERATURE KELVIN	16,2W @500mA		23,2W @700mA		30,4W @900mA		35,9W @1050mA		41,6W @1200mA		49,3W @1400mA	
	Lm	Lm/W	Lm	Lm/W	Lm	Lm/W	Lm	Lm/W	Lm	Lm/W	Lm	Lm/W
3000K	2854	176	3899	168	4888	161	5596	156	6278	151	7247	147
4000K	3011	186	4115	177	5159	170	5907	165	6628	159	7638	155

\*Luminous flux & power consumption of led. Φωτεινή ροή & κατανάλωση πυρήνα led.

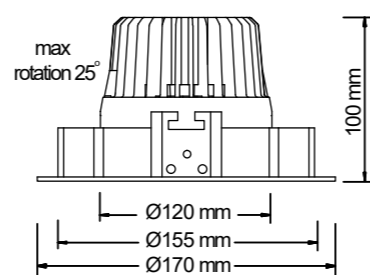
# ITAL COB LED



# ITAL 2 COB LED

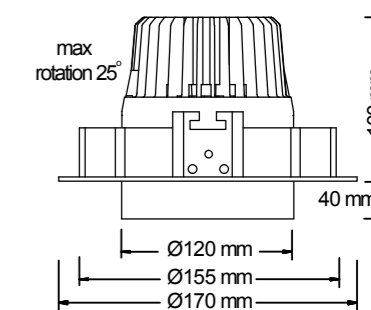


CODE*	WATT	KELVIN	CRI	REFLECTOR DEGREES	LED DRIVER	COLOUR	
12	16,2W (16)	3000K (30)	80 (80)	12° (12)	ON - OFF (C)	WHITE (-01)	
	23,2W (22)			DALI (D)	BLACK (-03)		
	30,4W (31)		90 (90)	24° (24)		DIM 1 - 10 V (V)	
	35,9W (35)			40° (40)	PHASE CUT (P)	ALUMINUM (-26)	
	41,6W (42)	4000K (40)	97 (97)	60° (60)	PUSH BUTTON (B)	OTHER** (-XX)	
	49,3W (49)				EMERGENCY (A)		
	FINAL CODE						
	12	-- (WATT)	-- (KELVIN)	-- (CRI)	-- (REFLECTOR DEGREES)	-- (LED DRIVER)	-- (COLOUR)



Cutting hole diameter 155 mm

CODE*	WATT	KELVIN	CRI	REFLECTOR DEGREES	LED DRIVER	COLOUR	
121	16,2W (16)	3000K (30)	80 (80)	12° (12)	ON - OFF (C)	WHITE (-01)	
	23,2W (22)			DALI (D)	BLACK (-03)		
	30,4W (31)		90 (90)	24° (24)		DIM 1 - 10 V (V)	
	35,9W (35)			40° (40)	PHASE CUT (P)	ALUMINUM (-26)	
	41,6W (42)	4000K (40)	97 (97)	40° (40)	PUSH BUTTON (B)	OTHER** (-XX)	
	49,3W (49)				EMERGENCY (A)		
	FINAL CODE						
	121	-- (WATT)	-- (KELVIN)	-- (CRI)	-- (REFLECTOR DEGREES)	-- (LED DRIVER)	-- (COLOUR)



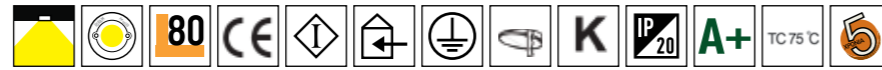
Cutting hole diameter 155 mm

\* Για να δημιουργήσετε τον τελικό κωδικό του προϊόντος που επιθυμείτε, προσθέστε μετά τον αρχικό κωδικό τους πορτοκαλί αριθμούς ή γράμματα που βρίσκονται μέσα στις παρενθέσεις ανάλογα με την επιλογή σας.

\*\* Διαθέσιμο και σε άλλα χρώματα από το χρωματολόγιο στη σελίδα 10.

\* To create the final product code add after their original prefix the orange numbers or letters, inside the parentheses, according to your choice. \*\* Available in other colours, see page 10.

# DOWNLIGHT



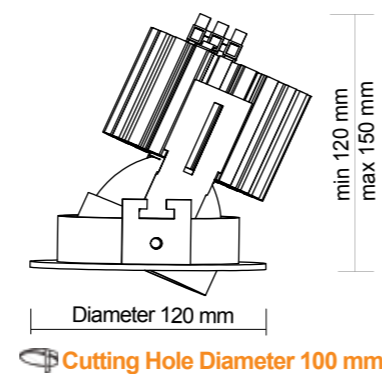
<b>BODY</b>	Die cast aluminum
<b>SOURCE</b>	Chip On Board (COB) LED Module
<b>ELECTRIC EQUIPMENT</b>	Constant Current LED Driver: On/Off • Dali • Dim 1-10V • Phase Cut • Push Button • Emergency
<b>CHARACTERISTICS</b>	CRI 80 • Colour Consistency <3SDCM • LOR 91 • Power Factor 0,96
<b>UPON REQUEST</b>	Constant Lumen Operation • CCT 2700K - 3500K - 5000K • CRI 90 & 97
<b>REGULATION</b>	Manufactured in accordance with the Regulation EN 60598-1 and CE 93/68/EOK
<b>SPECIAL APPLICATIONS</b>	For food and meat stores

## LEGO K COB LED



COLOUR TEMPERATURE KELVIN	11,2W @350mA		16,2W @500mA		23,2W @700mA		26,7W @800mA	
	Lm	Lm/W	Lm	Lm/W	Lm	Lm/W	Lm	Lm/W
3000K	2027	181	2854	176	3899	168	4400	165
4000K	2139	191	3011	186	4115	177	4644	174

CODE*	WATT	KELVIN	CRI	REFLECTOR DEGREES	LED DRIVER	COLOUR
25	11,2W (13)	3000K (30)	80 (80)	12° (12)	ON - OFF (C)	WHITE (-01)
	16,2W (16)				DALI (D)	
	23,2W (24)	4000K (40)	90 (90)	24° (24)	DIM 1 - 10 V (V)	ALUMINUM (-26)
	26,7W (30)				PUSH BUTTON (B)	
EMERGENCY (A)						
FINAL CODE						
25	-- (WATT)	-- (KELVIN)	-- (CRI)	-- (REFLECTOR DEGREES)	-- (LED DRIVER)	-- (COLOUR)



\* To create the final product code add after their original prefix the orange numbers or letters, inside the parentheses, according to your choice. \*\*Available in other colours, see page 10.

# DOWNLIGHT



- BODY** Steel frame and die cast aluminium internal spot
- SOURCE** Chip On Board (COB) LED Module
- ELECTRIC EQUIPMENT** Constant Current LED Driver: On/Off • Dali • Dim 1-10V • Phase Cut • Push Button • Emergency
- CHARACTERISTICS** CRI 80 • Colour Consistency <3SDCM • LOR 91 • Power Factor 0,96
- UPON REQUEST** Constant Lumen Operation • CCT 2700K - 3500K - 5000K • CRI 90 & 97
- REGULATION** Manufactured in accordance with the Regulation EN 60598-1 and CE 93/68/EOK
- SPECIAL APPLICATIONS** For food and meat stores

COLOUR TEMPERATURE KELVIN	16,2W @500mA		23,2W @700mA		30,4W @900mA		35,9W @1050mA		41,6W @1200mA		49,3W @1400mA	
	Lm	Lm/W	Lm	Lm/W	Lm	Lm/W	Lm	Lm/W	Lm	Lm/W	Lm	Lm/W
3000K	2854	176	3899	168	4888	161	5596	156	6278	151	7247	147
4000K	3011	186	4115	177	5159	170	5907	165	6628	159	7638	155

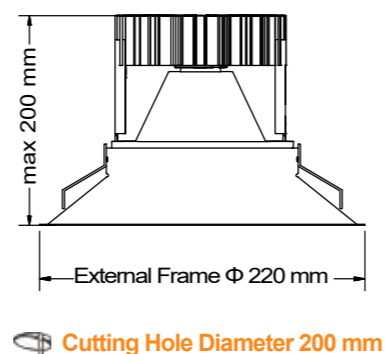
\*Luminous flux & power consumption of led. Φωτεινή ροή & κατανάλωση πυρήνα led.

## ASIA COB LED

## PETER COB LED

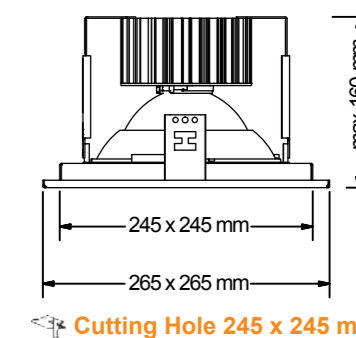


CODE*	WATT	KELVIN	CRI	REFLECTOR DEGREES	LED DRIVER	COLOUR
17	16,2W (16)	3000K (30)	80 (80)	12° (12)	ON - OFF (C)	WHITE (-01)
	23,2W (22)				DALI (D)	
	30,4W (31)		90 (90)	24° (24)	DIM 1 - 10 V (V)	BLACK (-03)
	35,9W (35)				PHASE CUT (P)	ALUMINUM (-26)
	41,6W (42)	4000K (40)	97 (97)	40° (40)	PUSH BUTTON (B)	OTHER** (-XX)
	49,3W (49)				EMERGENCY (A)	
					60° (60)	
	FINAL CODE					
17	-- (WATT)	-- (KELVIN)	-- (CRI)	-- (REFLECTOR DEGREES)	-- (LED DRIVER)	-- (COLOUR)



Cutting Hole Diameter 200 mm

CODE*	WATT	KELVIN	CRI	REFLECTOR DEGREES	LED DRIVER	COLOUR
41	16,2W (16)	3000K (30)	80 (80)	78° (78)	ON - OFF (C)	WHITE (-01)
	23,2W (22)				DALI (D)	
	30,4W (31)		90 (90)	78° (78)	DIM 1 - 10 V (V)	BLACK (-03)
	35,9W (35)				PHASE CUT (P)	ALUMINUM (-26)
	41,6W (42)	4000K (40)	97 (97)	78° (78)	PUSH BUTTON (B)	OTHER** (-XX)
	49,3W (49)				EMERGENCY (A)	
	FINAL CODE					
41	-- (WATT)	-- (KELVIN)	-- (CRI)	-- (REFLECTOR DEGREES)	-- (LED DRIVER)	-- (COLOUR)



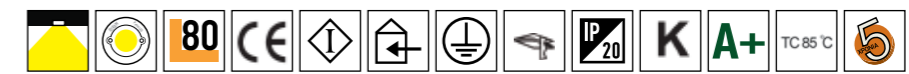
Cutting Hole 245 x 245 mm

\* To create the final product code add after their original prefix the orange numbers or letters, inside the parentheses, according to your choice. \*\*Available in other colours, see page 10.

\* To create the final product code add after their original prefix the orange numbers or letters, inside the parentheses, according to your choice. \*\*Available in other colours, see page 10.



## DOWNLIGHT



<b>BODY</b>	Die cast aluminum
<b>SOURCE</b>	LUGA Line RX LED Module (ON BOARD)
<b>ELECTRIC EQUIPMENT</b>	Constant Current LED Driver: On/Off • Dali • Phase Cut • Push Button
<b>CHARACTERISTICS</b>	CRi 84 • Colour Consistency <3SDCM
<b>UPON REQUEST</b>	Constant Lumen Operation • CCT 2700K - 5000K • CRi 90
<b>REGULATION</b>	Manufactured in accordance with the Regulation EN 60598-1 and CE 93/68/EOK

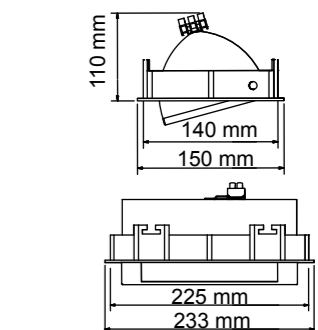
## DELOS COB LED



COLOUR TEMPERATURE KELVIN	16,2W @700mA		25,6W @1050mA	
	Lm	Lm/W	Lm	Lm/W
3000K	1900	116	2620	102
4000K	2000	122	2740	107

\*Luminous flux & power consumption of led. Φωτεινή ροή & κατανάλωση πυρήνα led.

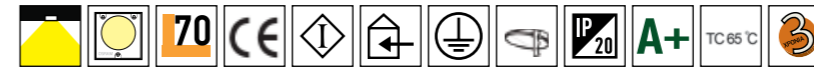
CODE*	WATT	KELVIN	CRI	REFLECTOR DEGREES	LED DRIVER	COLOUR
47	16,2W (16)	3000K (30)	80 (80)	78° (78)	ON - OFF (C)	WHITE (-01)
					DALI (D)	BLACK (-03)
	25,6W (22)	4000K (40)	90 (90)		PHASE CUT (P)	ALUMINUM (-26)
					PUSH BUTTON (B)	OTHER** (-XX)
FINAL CODE						
47	-- (WATT)	-- (KELVIN)	-- (CRI)	-- (REFLECTOR DEGREES)	-- (LED DRIVER)	-- (COLOUR)



✂ Cutting Hole 225 x 140 mm

\* To create the final product code add after their original prefix the orange numbers or letters, inside the parentheses, according to your choice. \*\*Available in other colours, see page 10.

# DOWNLIGHT



**BODY** Die cast aluminum  
**SOURCE** OSRAM CUBE AC LED Module 230 V (ON BOARD)  
**ELECTRIC EQUIPMENT** Constant Current LED Driver: On/Off • Dali • Push Button  
**CHARACTERISTICS** CRi 84 • LOR 96 • Power Factor > 0,90 • Ingress protection IP 20  
**REGULATION** Manufactured in accordance with the Regulation EN 60598-1 and CE 93/68/EOK

COLOUR TEMPERATURE KELVIN	18,8W	30,4W
	Lumen	Lumen
3000	2000	3000
4000	2000	3000

\*Luminous flux & power consumption of led. Φωτεινή ροή & κατανάλωση πυρίνα led.

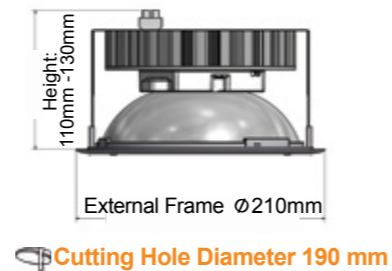
## MEDIE AC CUBE LED



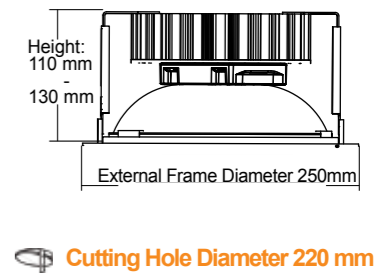
## LARGE AC CUBE LED



CODE*	WATT	KELVIN	CRI	REFLECTOR DEGREES	LED DRIVER	COLOUR
23	18,8W (24)	3000K (30)	80 (80)	110° (110)	ON - OFF (C)	WHITE (-01)
						BLACK (-03)
	30,4W (35)	4000K (40)				ALUMINUM (-26)
						OTHER** (-XX)
FINAL CODE						
23	-- (WATT)	-- (KELVIN)	-- (CRI)	--- (REFLECTOR DEGREES)	-- (LED DRIVER)	-- (COLOUR)



CODE*	WATT	KELVIN	CRI	REFLECTOR DEGREES	LED DRIVER	COLOUR
33	18,8W (22)	3000K (30)	80 (80)	110° (110)	ON - OFF (C)	WHITE (-01)
						BLACK (-03)
	30,4W (31)	4000K (40)				ALUMINUM (-26)
						OTHER** (-XX)
FINAL CODE						
33	-- (WATT)	-- (KELVIN)	-- (CRI)	--- (REFLECTOR DEGREES)	-- (LED DRIVER)	-- (COLOUR)



\* Για να δημιουργήσετε τον τελικό κωδικό του προϊόντος που επιθυμείτε, προσθέστε μετά τον αρχικό κωδικό τους πορτοκαλί αριθμούς ή γράμματα που βρίσκονται μέσα στις παρενθέσεις ανάλογα με την επιλογή σας.  
 \*\* Διαθέσιμο και σε άλλα χρώματα από το χρωματολόγιο στη σελίδα 10.

\* To create the final product code add after their original prefix the orange numbers or letters, inside the parentheses, according to your choice. \*\* Available in other colours, see page 10.

# DOWNLIGHT



**BODY** Die cast aluminum  
**SOURCE** OSRAM CUBE AC LED Module 230 V (ON BOARD)  
**ELECTRIC EQUIPMENT** Constant Current LED Driver: On/Off • Dali • Push Button  
**CHARACTERISTICS** CRi 84 • LOR 96 • Power Factor > 0,90 • Ingress protection IP 20  
**REGULATION** Manufactured in accordance with the Regulation EN 60598-1 and CE 93/68/EOK

COLOUR TEMPERATURE KELVIN	18,8W	30,4W
	Lumen	Lumen
3000	2000	3000
4000	2000	3000

\*Luminus flux & power consumption of led. Φωτεινή ροή & κατανάλωση πυρίνα led.

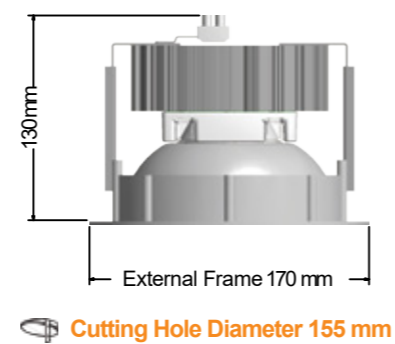
## ITAL AC CUBE LED



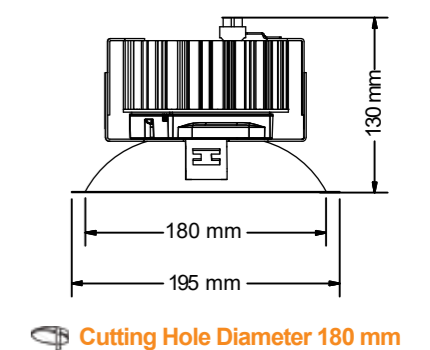
## ASIA AC CUBE LED



CODE*	WATT	KELVIN	CRI	REFLECTOR DEGREES	LED DRIVER	COLOUR
42	18,8W (22)	3000K (30)	80 (80)	110° (110)	ON - OFF (C)	WHITE (-01)
						BLACK (-03)
	30,4W (31)	4000K (40)				ALUMINUM (-26)
						OTHER** (-XX)
FINAL CODE						
42	-- (WATT)	-- (KELVIN)	-- (CRI)	--- (REFLECTOR DEGREES)	-- (LED DRIVER)	- (COLOUR)



CODE*	WATT	KELVIN	CRI	REFLECTOR DEGREES	LED DRIVER	COLOUR
17	18,8W (20)	3000K (30)	80 (80)	110° (110)	ON - OFF (C)	WHITE (-01)
						BLACK (-03)
	30,4W (30)	4000K (40)				ALUMINUM (-26)
						OTHER** (-XX)
FINAL CODE						
17	-- (WATT)	-- (KELVIN)	-- (CRI)	--- (REFLECTOR DEGREES)	-- (LED DRIVER)	- (COLOUR)

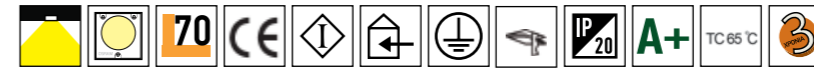


\* Για να δημιουργήσετε τον τελικό κωδικό του προϊόντος που επιθυμείτε, προσθέστε μετά τον αρχικό κωδικό τους πορτοκαλί αριθμούς ή γράμματα που βρίσκονται μέσα στις παρενθέσεις ανάλογα με την επιλογή σας.  
 \*\* Διαθέσιμο και σε άλλα χρώματα από το χρωματολόγιο στη σελίδα 10.

\* To create the final product code add after their original prefix the orange numbers or letters, inside the parentheses, according to your choice. \*\* Available in other colours, see page 10.



# DOWNLIGHT



**BODY** Die cast aluminum (ARIS AC LED) • Steel frame and die cast aluminium internal spot (PETER AC LED)  
**SOURCE** OSRAM CUBE AC LED Module 230 V (ON BOARD)  
**ELECTRIC EQUIPMENT** Constant Current LED Driver: On/Off • Dali • Push Button  
**CHARACTERISTICS** CRI 84 • LOR 96 • Power Factor > 0,90 • Ingress protection IP 20  
**REGULATION** Manufactured in accordance with the Regulation EN 60598-1 and CE 93/68/EOK

COLOUR TEMPERATURE KELVIN	18,8W	30,4W
	Lumen	Lumen
3000	2000	3000
4000	2000	3000

\*Luminous flux & power consumption of led. Φωτεινή ροή & κατανάλωση πυρίνα led.

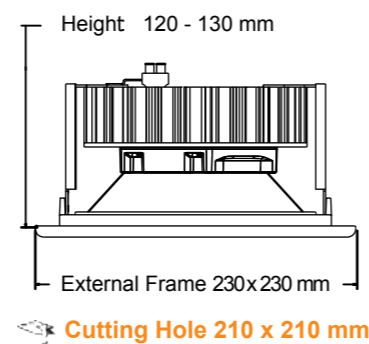
## ARIS AC CUBE LED



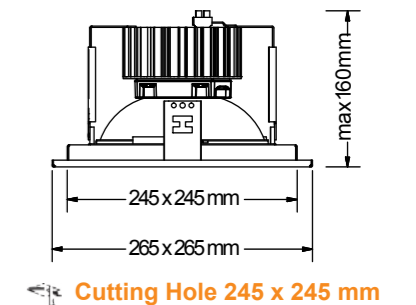
## PETER AC CUBE LED



CODE*	WATT	KELVIN	CRI	REFLECTOR DEGREES	LED DRIVER	COLOUR
46	18,8W (22)	3000K (30)	80 (80)	110° (110)	ON - OFF (C)	WHITE (-01)
						BLACK (-03)
	30,4W (31)	4000K (40)				ALUMINUM (-26)
						OTHER** (-XX)
FINAL CODE						
46	-- (WATT)	-- (KELVIN)	-- (CRI)	--- (REFLECTOR DEGREES)	-- (LED DRIVER)	-- (COLOUR)



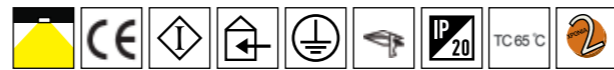
CODE*	WATT	KELVIN	CRI	REFLECTOR DEGREES	LED DRIVER	COLOUR
41	18,8W (20)	3000K (30)	80 (80)	110° (110)	ON - OFF (C)	WHITE (-01)
						BLACK (-03)
	30,4W (30)	4000K (40)				ALUMINUM (-26)
						OTHER** (-XX)
FINAL CODE						
41	-- (WATT)	-- (KELVIN)	-- (CRI)	--- (REFLECTOR DEGREES)	-- (LED DRIVER)	-- (COLOUR)



\* Για να δημιουργήσετε τον τελικό κωδικό του προϊόντος που επιθυμείτε, προσθέστε μετά τον αρχικό κωδικό τους πορτοκαλί αριθμούς ή γράμματα που βρίσκονται μέσα στις παρενθέσεις ανάλογα με την επιλογή σας.  
 \*\* Διαθέσιμο και σε άλλα χρώματα από το χρωματολόγιο στη σελίδα 10.

\* To create the final product code add after their original prefix the orange numbers or letters, inside the parentheses, according to your choice. \*\* Available in other colours, see page 10.

## DOWNLIGHT



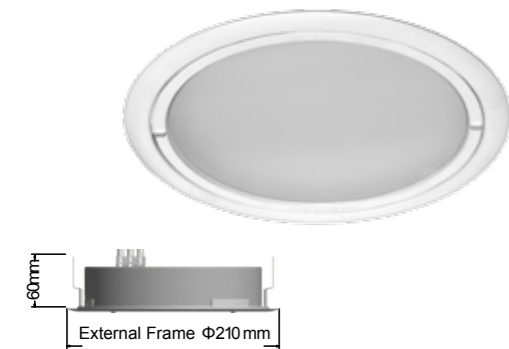
<b>BODY</b>	Die cast aluminum
<b>SOURCE</b>	SMD LED PCB Board
<b>ELECTRIC EQUIPMENT</b>	On/Off
<b>OPTICAL MEDIUM</b>	Matte Glass 110°
<b>CHARACTERISTICS</b>	CRi 80 • Ingress protection IP 20
<b>REGULATION</b>	Manufactured in accordance with the Regulation EN 60598-1 and CE 93/68/EOK

COLOUR TEMPERATURE KELVIN	22.1 W @ 500 mA	30 W @ 700 mA
	Lumen	Lumen
3000	2700	3645
4000	2967	3950

\*Luminous flux & power consumption of led. Φωτεινή ροή & κατανάλωση πυρήνα led.

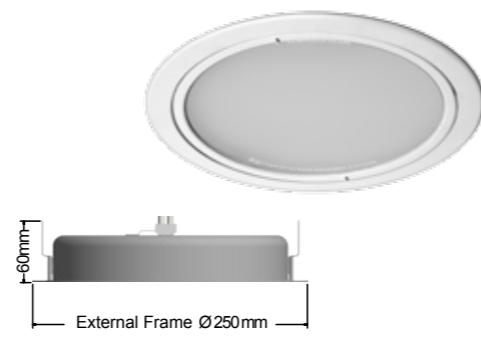
## MEDIE SMD LED

## LARGE SMD LED



Cutting Hole Diameter 190 mm

CODE	KELVIN	WATT
222330	3000	22W
223030	3000	30W
222340	4000	22W
223040	4000	30W



Cutting Hole Diameter 220 mm

CODE	KELVIN	WATT
322330	3000	22W
323030	3000	30W
322240	4000	22W
323040	4000	30W

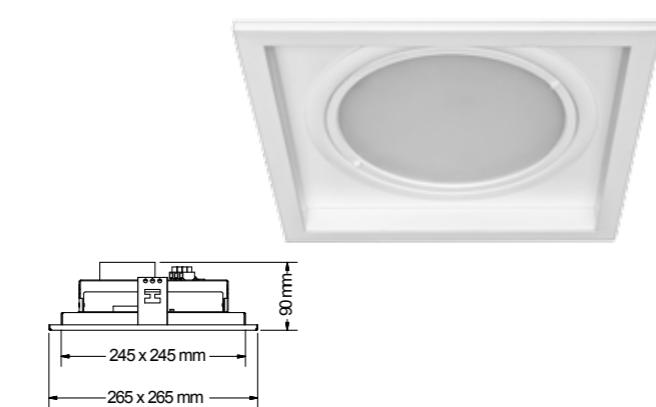
## ARIS SMD LED

## PETER SMD LED



Cutting Hole 210 x 210 mm

CODE	KELVIN	WATT
462330	3000	22W
463030	3000	30W
462240	4000	22W
463040	4000	30W



Cutting Hole 245 x 245 mm

CODE	KELVIN	WATT
412330	3000	22W
413030	3000	30W
412240	4000	22W
413040	4000	30W

## DOWNLIGHT

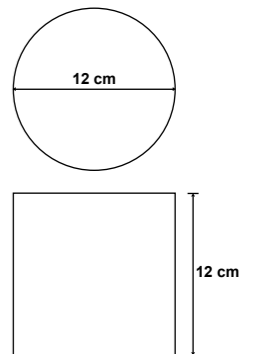
## 6010 PLUS MEDIE

Plastic box for concrete construction. Factory: Moulas  
Ability to place MEDIE COB Led, MEDIE AC Cube Led, MEDIE SMD Led



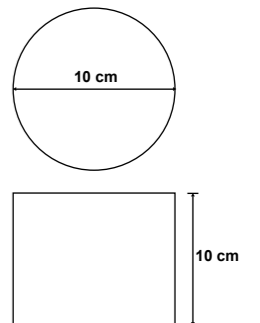
## 6011 PLUS LEGO

Plastic box for concrete construction. Factory: Moulas  
Ability to place LEGO 022-007, NEMESIS 1127 / 1127K / 1128 / 1128F, ELVA E27 R63, ELVA E27 R80

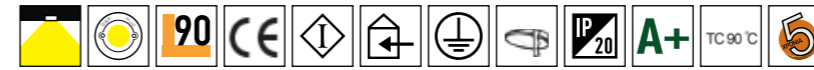


## 6012 PLUS NEMESIS JUNIOR

Plastic box for concrete construction. Factory: Moulas  
Ability to place NEMESIS 1125 / 1126, ELVA E14



# DOWNLIGHT



**BODY** Die cast aluminum  
**SOURCE** LED VOSSLOH ActiveLine LED Module • OSRAM PrevaLED Coin 50G1 Module (ON BOARD)  
**ELECTRIC EQUIPMENT** On/Off • Push Button • Dali • Phase cut  
**CHARACTERISTICS** CCT 3000K 4000K • CRI 80 • Chromaticity < 3SDCM • Protection degree IP 20 • LOR 92 • Power Factor 0,97  
**REGULATION** Manufactured in accordance with the Regulation EN 60598-1 and CE 93/68/EOK

## LED VOSSLOH ActiveLine LED Module



COLOUR TEMPERATURE KELVIN	6,2W @350mA		9,3W @350mA		11,2W @420mA	
	Lm	Lm/W	Lm	Lm/W	Lm	Lm/W
3000K	615	99	1200	129	1440	129
4000K	645	104	1252	135	1502	134

\*Luminus flux & power consumption of led. Φωτεινή ροή & κατανάλωση πυρίνα led.

## OSRAM PrevaLED Coin 50G1 Module



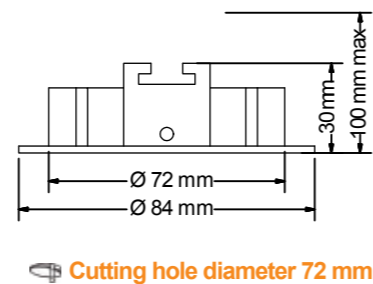
COLOUR TEMPERATURE KELVIN	10,7W @350mA		12,9W @350mA	
	Lm	Lm/W	Lm	Lm/W
3000K	1100	103	1360	105
4000K	1200	112	1430	111

\*Luminus flux & power consumption of led. Φωτεινή ροή & κατανάλωση πυρίνα led.

# ORION LED



CODE*	WATT	KELVIN	CRI	REFLECTOR DEGREES	LED DRIVER	COLOUR
1250K	6,2W (6)	3000K (30)	80 (8)	12° (12)	ON - OFF (C)	WHITE (-01)
	9,3W (9)			25° (25)	DALI (D)	BLACK (-03)
	11,2W (1)	4000K (40)		36° (36)	PHASE CUT (P)	OTHER** (-XX)
1250K	10,7W (981)	3000K (3)	80 (8)	24° (24)	ON - OFF (C)	WHITE (-01)
	12,9W (983)	4000K (4)		40° (40)	DALI (D)	BLACK (-03)
				PHASE CUT (P)	OTHER** (-XX)	
FINAL CODE						
1250K	---	--	--	--	-	- --
	(WATT)	(KELVIN)	(CRI)	(REFLECTOR DEGREES)	(LED DRIVER)	(COLOUR)

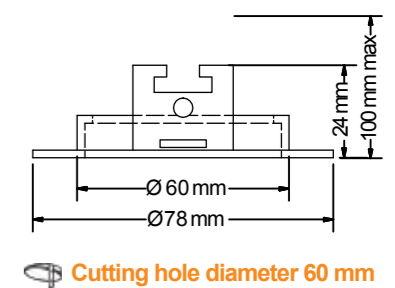


\* Για να δημιουργήσετε τον τελικό κωδικό του προϊόντος που επιθυμείτε, προσθέστε μετά τον αρχικό κωδικό τους πορτοκαλί αριθμούς ή γράμματα που βρίσκονται μέσα στις παρενθέσεις ανάλογα με την επιλογή σας.  
 \*\* Διαθέσιμο και σε άλλα χρώματα από το χρωματολόγιο στη σελίδα 10.

# VENUS LED

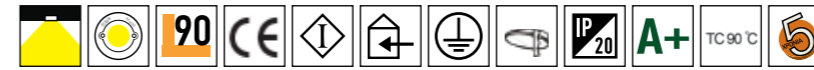


CODE*	WATT	KELVIN	CRI	REFLECTOR DEGREES	LED DRIVER	COLOUR
1250S	6,2W (6)	3000K (30)	80 (8)	12° (12)	ON - OFF (C)	WHITE (-01)
	9,3W (9)			25° (25)	DALI (D)	BLACK (-03)
	11,2W (1)	4000K (40)		36° (36)	PHASE CUT (P)	OTHER** (-XX)
1250S	10,7W (981)	3000K (3)	80 (8)	24° (24)	ON - OFF (C)	WHITE (-01)
	12,9W (983)	4000K (4)		40° (40)	DALI (D)	BLACK (-03)
				PHASE CUT (P)	OTHER** (-XX)	
FINAL CODE						
1250S	---	--	--	--	-	- --
	(WATT)	(KELVIN)	(CRI)	(REFLECTOR DEGREES)	(LED DRIVER)	(COLOUR)



\* To create the final product code add after their original prefix the orange numbers or letters, inside the parentheses, according to your choice. \*\* Available in other colours, see page 10.

# DOWNLIGHT



**BODY** Die cast aluminum  
**SOURCE** LED VOSSL0H ActiveLine LED Module • OSRAM PrevaLED Coin 50G1 Module (ON BOARD)  
**ELECTRIC EQUIPMENT** On/Off • Push Button • Dali • Phase cut  
**CHARACTERISTICS** CCT 3000K 4000K • CRI 80 • Chromaticity < 3SDCM • Protection degree IP 20  
 • LOR 92 • Power Factor 0,97  
**REGULATION** Manufactured in accordance with the Regulation EN 60598-1 and CE 93/68/EOK

## LED VOSSL0H ActiveLine LED Module



COLOUR TEMPERATURE KELVIN	6,2W @350mA		9,3W @350mA		11,2W @420mA	
	Lm	Lm/W	Lm	Lm/W	Lm	Lm/W
3000K	615	99	1200	129	1440	129
4000K	645	104	1252	135	1502	134

\*Luminus flux & power consumption of led. Φωτεινή ροή & κατανάλωση πυρίνα led.

## OSRAM PrevaLED Coin 50G1 Module



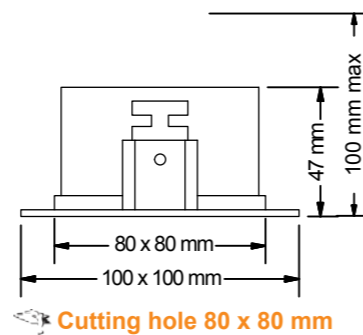
COLOUR TEMPERATURE KELVIN	10,7W @350mA		12,9W @350mA	
	Lm	Lm/W	Lm	Lm/W
3000K	1100	103	1360	105
4000K	1200	112	1430	111

\*Luminus flux & power consumption of led. Φωτεινή ροή & κατανάλωση πυρίνα led.

# MISTRAL LED

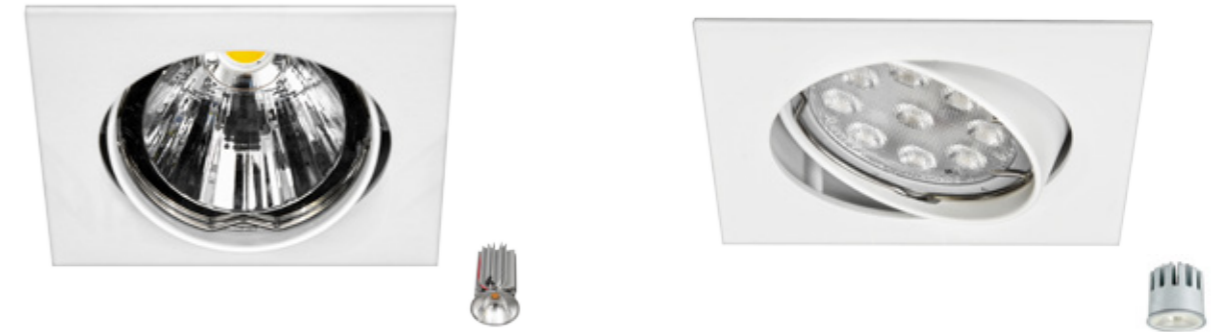


CODE*	WATT	KELVIN	CRI	REFLECTOR DEGREES	LED DRIVER	COLOUR
 1254	6,2W (6)	3000K (30)	80 (8)	12° (12)	ON - OFF (C)	WHITE (-01)
	9,3W (9)			25° (25)	DALI (D)	BLACK (-03)
	11,2W (1)	4000K (40)		36° (36)	PHASE CUT (P)	OTHER** (-XX)
 1254	10,7W (981)	3000K (3)	80 (8)	24° (24)	ON - OFF (C)	WHITE (-01)
	12,9W (983)	4000K (4)			DALI (D)	BLACK (-03)
				40° (40)	PHASE CUT (P)	OTHER** (-XX)
<b>FINAL CODE</b>						
1254	---	--	--	--	-	- --
	(WATT)	(KELVIN)	(CRI)	(REFLECTOR DEGREES)	(LED DRIVER)	(COLOUR)

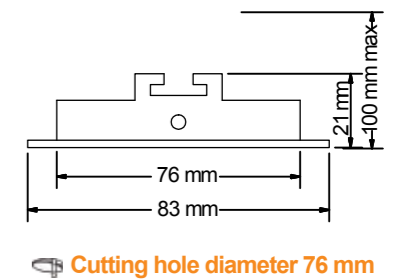


\* Για να δημιουργήσετε τον τελικό κωδικό του προϊόντος που επιθυμείτε, προσθέστε μετά τον αρχικό κωδικό τους πορτοκαλί αριθμούς ή γράμματα που βρίσκονται μέσα στις παρενθέσεις ανάλογα με την επιλογή σας.  
 \*\* Διαθέσιμο και σε άλλα χρώματα από το χρωματολόγιο στη σελίδα 10,

# DÉCOR LED

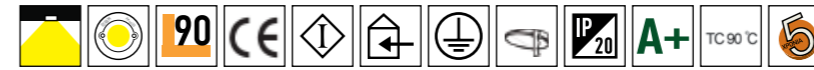


CODE*	WATT	KELVIN	CRI	REFLECTOR DEGREES	LED DRIVER	COLOUR
 1250D	6,2W (6)	3000K (30)	80 (8)	12° (12)	ON - OFF (C)	WHITE (-01)
	9,3W (9)			25° (25)	DALI (D)	BLACK (-03)
	11,2W (1)	4000K (40)		36° (36)	PHASE CUT (P)	OTHER** (-XX)
 1250D	10,7W (981)	3000K (3)	80 (8)	24° (24)	ON - OFF (C)	WHITE (-01)
	12,9W (983)	4000K (4)			DALI (D)	BLACK (-03)
				40° (40)	PHASE CUT (P)	OTHER** (-XX)
<b>FINAL CODE</b>						
1250D	---	--	--	--	-	- --
	(WATT)	(KELVIN)	(CRI)	(REFLECTOR DEGREES)	(LED DRIVER)	(COLOUR)



\* To create the final product code add after their original prefix the orange numbers or letters, inside the parentheses, according to your choice. \*\* Available in other colours, see page 10.

# DOWNLIGHT



**BODY** Die cast aluminum  
**SOURCE** LED VOSSLOH ActiveLine LED Module • OSRAM PrevaLED Coin 50G1 Module (ON BOARD)  
**ELECTRIC EQUIPMENT** On/Off • Push Button • Dali • Phase cut  
**CHARACTERISTICS** CCT 3000K 4000K • CRI 80 • Chromaticity < 3SDCM • Protection degree IP 20  
 • LOR 92 • Power Factor 0,97  
**REGULATION** Manufactured in accordance with the Regulation EN 60598-1 and CE 93/68/EOK

## LED VOSSLOH ActiveLine LED Module

COLOUR TEMPERATURE KELVIN	6,2W @350mA		9,3W @350mA		11,2W @420mA	
	Lm	Lm/W	Lm	Lm/W	Lm	Lm/W
3000K	615	99	1200	129	1440	129
4000K	645	104	1252	135	1502	134

\*Luminus flux & power consuption of led. Φωτεινή ροή & κατανάλωση πυρήνα led.

## OSRAM PrevaLED Coin 50G1 Module

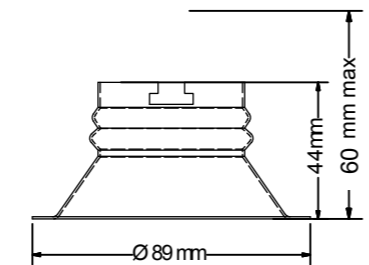
COLOUR TEMPERATURE KELVIN	10,7W @350mA		12,9W @350mA	
	Lm	Lm/W	Lm	Lm/W
3000K	1100	103	1360	105
4000K	1200	112	1430	111

\*Luminus flux & power consuption of led. Φωτεινή ροή & κατανάλωση πυρήνα led.

# NEW ASIA LED



CODE*	WATT	KELVIN	CRI	REFLECTOR DEGREES	LED DRIVER	COLOUR
13	6,2W (6)	3000K (30)	80 (8)	12° (12)	ON - OFF (C)	WHITE (-01)
	9,3W (9)			25° (25)	DALI (D)	BLACK (-03)
	11,2W (1)	4000K (40)		36° (36)	PHASE CUT (P)	OTHER** (-XX)
13	10,7W (981)	3000K (3)	80 (8)	24° (24)	ON - OFF (C)	WHITE (-01)
	12,9W (983)	4000K (4)			DALI (D)	BLACK (-03)
				PHASE CUT (P)	OTHER** (-XX)	
FINAL CODE						
13	---	---	---	---	-	-
	(WATT)	(KELVIN)	(CRI)	(REFLECTOR DEGREES)	(LED DRIVER)	(COLOUR)

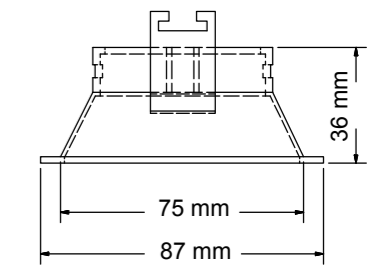


Cutting hole diameter 78 mm

# NEW ASIA SQUARE LED



CODE*	WATT	KELVIN	CRI	REFLECTOR DEGREES	LED DRIVER	COLOUR
13Q	6,2W (6)	3000K (30)	80 (8)	12° (12)	ON - OFF (C)	WHITE (-01)
	9,3W (9)			25° (25)	DALI (D)	BLACK (-03)
	11,2W (1)	4000K (40)		36° (36)	PHASE CUT (P)	OTHER** (-XX)
13Q	10,7W (981)	3000K (3)	80 (8)	24° (24)	ON - OFF (C)	WHITE (-01)
	12,9W (983)	4000K (4)			DALI (D)	BLACK (-03)
				PHASE CUT (P)	OTHER** (-XX)	
FINAL CODE						
13Q	---	---	---	---	-	-
	(WATT)	(KELVIN)	(CRI)	(REFLECTOR DEGREES)	(LED DRIVER)	(COLOUR)

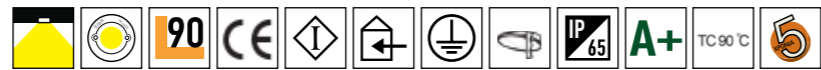


Cutting hole diameter 78 mm

\* Για να δημιουργήσετε τον τελικό κωδικό του προϊόντος που επιθυμείτε, προσθέστε μετά τον αρχικό κωδικό τους πορτοκαλί αριθμούς ή γράμματα που βρίσκονται μέσα στις παρενθέσεις ανάλογα με την επιλογή σας.  
 \*\* Διαθέσιμο και σε άλλα χρώματα από το χρωματολόγιο στη σελίδα 10.

\* To create the final product code add after their original prefix the orange numbers or letters, inside the parentheses, according to your choice. \*\* Available in other colours, see page 10.

# DOWNLIGHT



<b>BODY</b>	Die cast aluminum
<b>SOURCE</b>	LED VOSSLÖH ActiveLine LED Module • OSRAM PrevaLED Coin 50G1 Module (ON BOARD)
<b>ELECTRIC EQUIPMENT</b>	On/Off • Push Button • Dali • Phase cut
<b>CHARACTERISTICS</b>	CCT 3000K 4000K • CRI 80 • Chromaticity < 3SDCM • <b>Protection degree IP 65</b> • LOR 92 • Power Factor 0,97
<b>REGULATION</b>	Manufactured in accordance with the Regulation EN 60598-1 and CE 93/68/EOK

# HYDRO LED

WATERPROOF



LED VOSSLÖH ActiveLine LED Module



COLOUR TEMPERATURE KELVIN	6,2W @350mA		9,3W @350mA		11,2W @420mA	
	Lm	Lm/W	Lm	Lm/W	Lm	Lm/W
3000K	615	99	1200	129	1440	129
4000K	645	104	1252	135	1502	134

\*Luminous flux & power consumption of led. Φωτεινή ροή & κατανάλωση πυρίνα led.

OSRAM PrevaLED Coin 50G1 Module



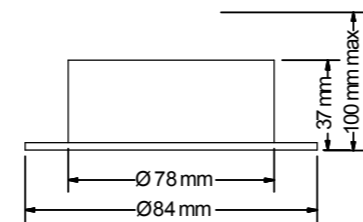
COLOUR TEMPERATURE KELVIN	10,7W @350mA		12,9W @350mA	
	Lm	Lm/W	Lm	Lm/W
3000K	1100	103	1360	105
4000K	1200	112	1430	111

\*Luminous flux & power consumption of led. Φωτεινή ροή & κατανάλωση πυρίνα led.

CODE*	WATT	KELVIN	CRI	REFLECTOR DEGREES	LED DRIVER	COLOUR
1240S	6,2W (6)	3000K (30)	80 (8)	12° (12)	ON - OFF (C)	WHITE (-01)
	9,3W (9)			25° (25)	DALI (D)	BLACK (-03)
	11,2W (1)	4000K (40)		36° (36)	PHASE CUT (P)	OTHER** (-XX)
1240S	10,7W (981)	3000K (3)	80 (8)	24° (24)	ON - OFF (C)	WHITE (-01)
	12,9W (983)	4000K (4)		40° (40)	DALI (D)	BLACK (-03)
				PHASE CUT (P)	OTHER** (-XX)	
FINAL CODE						
1240S	---	--	--	--	-	- --
	(WATT)	(KELVIN)	(CRI)	(REFLECTOR DEGREES)	(LED DRIVER)	(COLOUR)

\* Για να δημιουργήσετε τον τελικό κωδικό του προϊόντος που επιθυμείτε, προσθέστε μετά τον αρχικό κωδικό τους πορτοκαλί αριθμούς ή γράμματα που βρίσκονται μέσα στις παρενθέσεις ανάλογα με την επιλογή σας.

\*\* Διαθέσιμο και σε άλλα χρώματα από το χρωματολόγιο στη σελίδα 10.



✂ Cutting hole diameter 78 mm



## DOWNLIGHT

**BODY** Die cast aluminum  
**LAMP HOLDER** 12V AR 111 • E 27 • GU10  
**REGULATION** Manufactured in accordance with the Regulation EN 60598-1 and CE 93/68/EOK

### ITAL R111



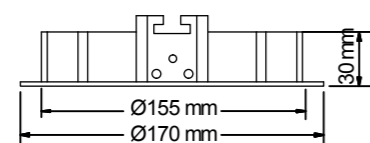
CODE

300-12111-COLOUR\*

CODE

300-12230-COLOUR\*

### ITAL ES111



Cutting hole diameter 155 mm

### ITAL E27



CODE

300-12275-COLOUR\*

CODE

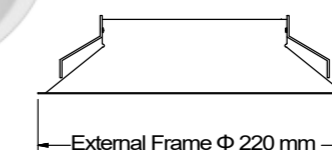
300-4127-COLOUR\*



**BODY** Pressed aluminum  
**LAMP HOLDER** GU 10 • R 111 • E27  
**REGULATION** Manufactured in accordance with the Regulation EN 60598-1 and CE 93/68/EOK

### ASIA R111

### ASIA ES111



Cutting Hole Diameter 200 mm

CODE

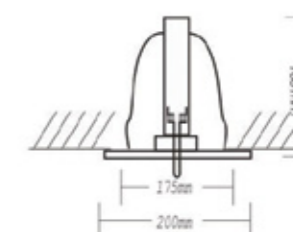
300-12112-COLOUR\*

CODE

300-12113-COLOUR\*

**BODY** Die cast aluminum  
**LAMP HOLDER** E 27  
**REGULATION** Manufactured in accordance with the Regulation EN 60598-1 and CE 93/68/EOK

### GRANAGE E27 R63



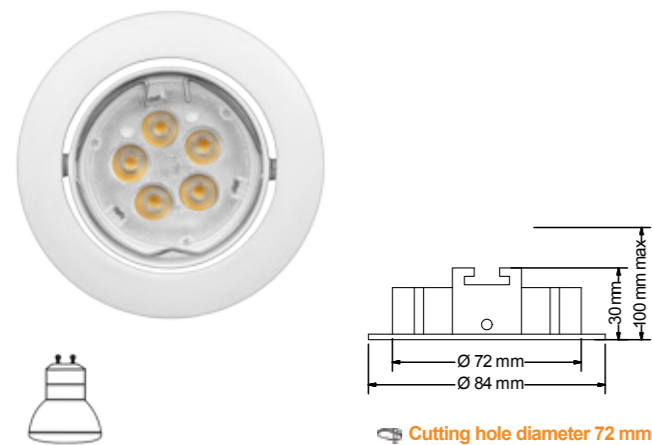
CODE

100-5127-COLOUR\*G

## DOWNLIGHT

**BODY** Pressed aluminum  
**LAMP HOLDER** 12V GU 5,3 Code:350012 • GU 10 Code:35125  
**REGULATION** Manufactured in accordance with the Regulation EN 60598-1 and CE 93/68/EOK

### ORION (MODEL 1250K)

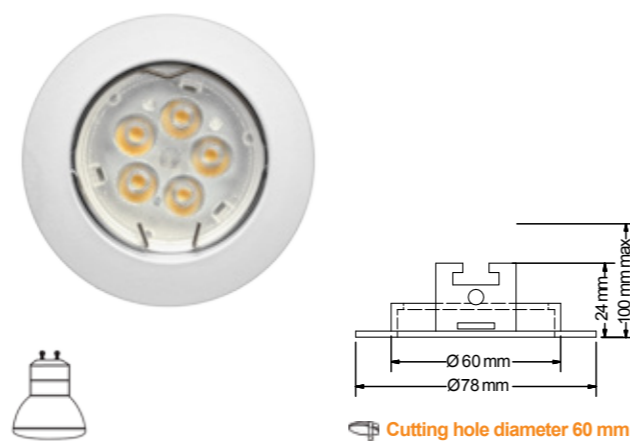


Cutting hole diameter 72 mm

CODE

300-1250-COLOUR\*K

### VENUS (MODEL 1250S)

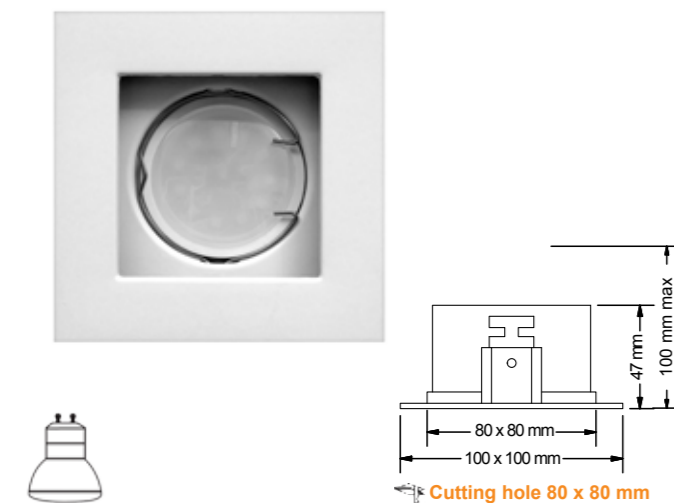


Cutting hole diameter 60 mm

CODE

300-1250-COLOUR\*S

### MISTRAL (MODEL 1254)

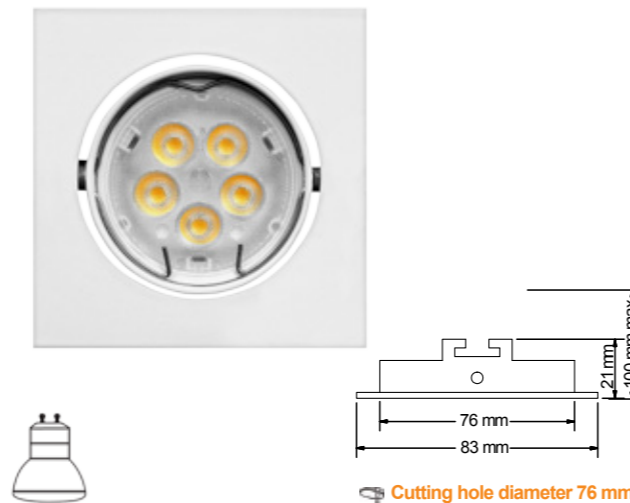


Cutting hole 80 x 80 mm

CODE

300-1254-COLOUR\*

### DÉCOR (MODEL 1251KD)



Cutting hole diameter 76 mm

CODE

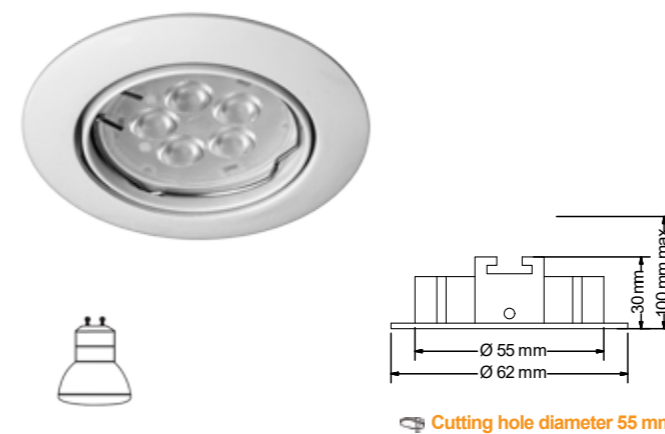
300-1251-COLOUR\*KD

\* Για να δημιουργήσετε τον τελικό κωδικό του προϊόντος που επιθυμείτε, προσθέστε μετά τον αρχικό κωδικό, τον κωδικό χρώματος που επιθυμείτε από το χρωματολόγιο στη σελίδα 10.



**BODY** Die cast aluminum  
**LAMP HOLDER** 12V GU 5,3  
**REGULATION** Manufactured in accordance with the Regulation EN 60598-1 and CE 93/68/EOK

### MINI ORION (MODEL 1235K)

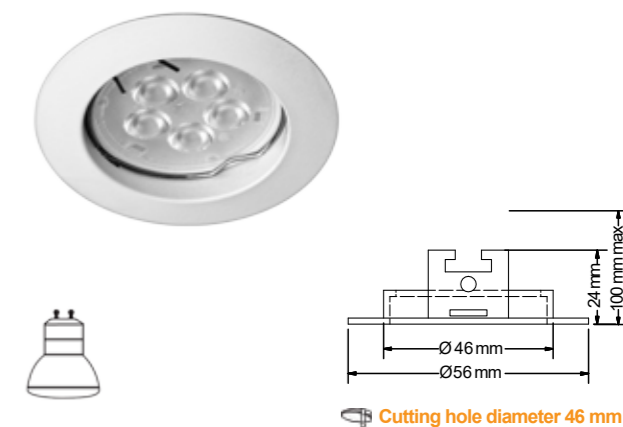


Cutting hole diameter 55 mm

CODE

300-1235-COLOUR\*

### MINI VENUS (MODEL 1235S)

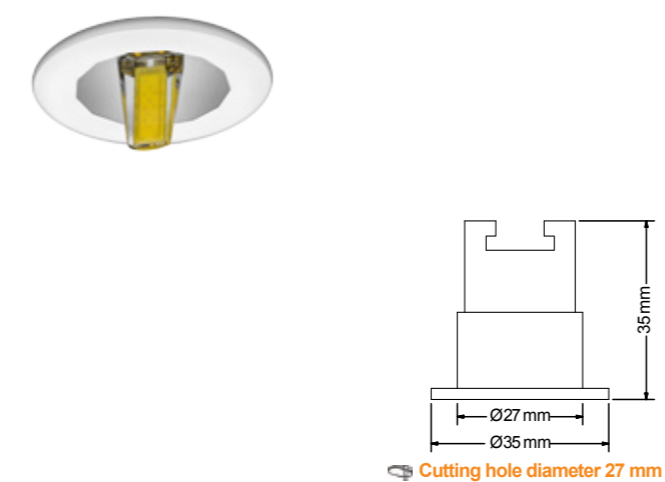


Cutting hole diameter 46 mm

CODE

300-1235-COLOUR\*S

### IRIS



Cutting hole diameter 27 mm

CODE

300-1236-COLOUR\*

\* To create the final product code add after the prefix, the colour code you wish from the available colours, see page 10.



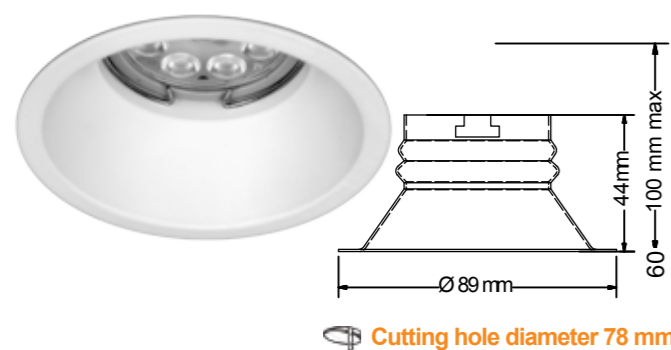


## DOWNLIGHT



**BODY** Pressed aluminum  
**LAMP HOLDER** GU 10  
**REGULATION** Manufactured in accordance with the Regulation EN 60598-1 and CE 93/68/EOK

## NEW ASIA



Cutting hole diameter 78 mm

CODE
300-13112-COLOUR*

## NEW ASIA SQ



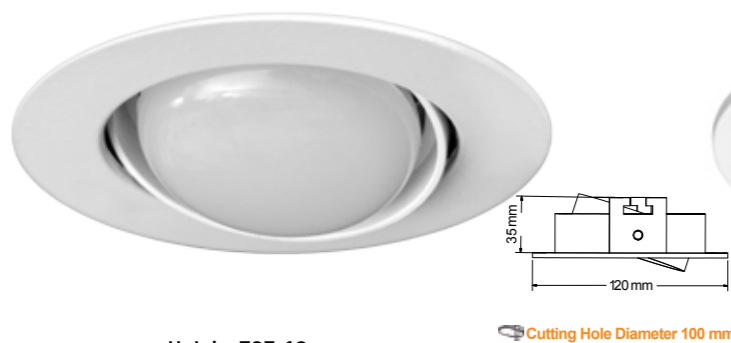
Cutting hole diameter 78 mm

CODE
300-13112SQ-COLOUR*



**BODY** Die cast aluminum  
**LAMP HOLDER** MICROLYNX • GX53 • E 27  
**REGULATION** Manufactured in accordance with the Regulation EN 60598-1 and CE 93/68/EOK  
**ACCESSORIES:** Concrete box 6011 Plus 10cm

## LEGO MOVABLE



Cutting Hole Diameter 100 mm

Height E27 10 cm

CODE
E 27: 100-022-COLOUR*
PLUS LEGO 6011



Height MICROLYNX 4 cm

CODE
MICROLYNX: 100-007-COLOUR*
PLUS LEGO 6011

\* Για να δημιουργήσετε τον τελικό κωδικό του προϊόντος που επιθυμείτε, προσθέστε μετά τον αρχικό κωδικό, τον κωδικό χρώματος που επιθυμείτε από το χρωματολόγιο στη σελίδα 10.



**BODY** Aluminum  
**LAMP HOLDER** E 27 • R 63 • Concrete Box: 6011 PLUS, 6012 PLUS  
**REGULATION** Manufactured in accordance with the Regulation EN 60598-1 and CE 93/68/EOK



## ELVA E27 R63



External diameter 12.6 cm and height 13 cm.

CODE
100-2107-COLOUR*
100-2107-INOX
CONCRETE BOX PLUS 6011 10 cm

## ELVA E27 R80



External diameter 12.6 cm and height 13 cm.

CODE
100-2108-COLOUR*
100-2108-INOX
CONCRETE BOX PLUS 6011 10cm

## ELVA E14



External diameter 9.7 cm and height 11 cm.

CODE
100-2106-COLOUR*
100-2106-INOX
CONCRETE BOX PLUS 6012 8 cm

\* Για να δημιουργήσετε τον τελικό κωδικό του προϊόντος που επιθυμείτε, προσθέστε μετά τον αρχικό κωδικό, τον κωδικό χρώματος που επιθυμείτε από το χρωματολόγιο στη σελίδα 10.

## DOWNLIGHT

**BODY** Die cast aluminum  
**LAMP HOLDER** Concrete Box: **6011 PLUS 10 cm, 6012 8 cm**  
**REGULATION** Manufactured in accordance with the Regulation EN 60598-1 and CE 93/68/EOK



### NEMESIS 1127 E27 R63

External diameter 12 cm  
 Cutting hole 10 cm, height 11,5 cm.



CODE
100-1127-COLOUR*
CONCRETE BOX 6011 10 cm

### NEMESIS 1127K GU10 R63

External diameter 12 cm  
 Cutting hole 10 cm, height 11,5 cm.



CODE
100-1127K-COLOUR*
CONCRETE BOX 6011 10 cm

### NEMESIS 1125 E27 R63

External diameter 10 cm  
 Cutting hole 7,5 cm, height 11 cm.



CODE
100-1125-COLOUR*
CONCRETE BOX PLUS 6012 8 cm

\* Για να δημιουργήσετε τον τελικό κωδικό του προϊόντος που επιθυμείτε, προσθέστε μετά τον αρχικό κωδικό, τον κωδικό χρώματος που επιθυμείτε από το χρωματολόγιο στη σελίδα 10.



**BODY** Die cast aluminum  
**LAMP HOLDER** Concrete Box: **6011 PLUS 10 cm, 6012 8 cm**  
**REGULATION** Manufactured in accordance with the Regulation EN 60598-1 and CE 93/68/EOK

### NEMESIS 1126 GU10

External diameter 10 cm  
 Cutting hole 8 cm, height 11 cm.



CODE
100-1126-COLOUR*
CONCRETE BOX PLUS 6012 8 cm

### NEMESIS 1128 E27 R83

External diameter 12 cm  
 Cutting hole 10 cm, height 11,5 cm.



CODE
100-1128-COLOUR*
CONCRETE BOX PLUS 6011 10 cm

### NEMESIS 1128F GU10

External diameter 12 cm  
 Cutting hole 10 cm, height 11,5 cm.



CODE
100-1128F-COLOUR*
CONCRETE BOX PLUS 6011 10 cm

\* To create the final product code add after the prefix, the colour code you wish from the available colours, see page 10.

# LOUD SPEAKERS



**VOICE MEDIE**



**BODY** Die cast aluminium  
External diameter 21 cm  
Cutting hole 19 cm, height 6,5 cm.

CODE
2280 15W 80-COLOUR*

**VOICE GRANAGE**



**BODY** Die cast aluminium  
External diameter 20 cm  
Cutting hole 17,5 cm, height 6,5 cm.

CODE
5180 15W 80-COLOUR*

**VOICE ITAL**



**BODY** Die cast aluminium  
External diameter 17 cm  
Cutting hole 15,5 cm, height 6,5 cm.

CODE
4280 10W 80-COLOUR*

**VOICE LARGE**

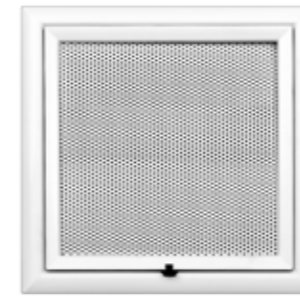


**BODY** Die cast aluminium  
External diameter 25 cm  
Cutting hole 22 cm, height 7 cm.

CODE
3280 20W 80-COLOUR*

\* Για να δημιουργήσετε τον τελικό κωδικό του προϊόντος που επιθυμείτε, προσθέστε μετά τον αρχικό κωδικό, τον κωδικό χρώματος που επιθυμείτε από το χρωματολόγιο στη σελίδα 10.

**VOICE ARIS**



**BODY** Die cast aluminium  
External diameter 23x23 cm  
Cutting hole 21x21 cm, height 11 cm.

CODE
4680 20W 80-COLOUR*

**VOICE COUROS**



**BODY** Die cast aluminium  
External diameter 22,5x22,5 cm  
Cutting hole 19 cm, height 6,5 cm.

CODE
2780 15W 80-COLOUR*

**VOICE PETER**



**BODY** Stainless steel frame  
External diameter 26,5x26,5 cm,  
Cutting hole 24,5x24,5 cm, height 9 cm.

CODE
1280 18W 80 -COLOUR*

**VOICE CIRCO**



**BODY** Die cast aluminium  
External dimension 23X23 cm  
Cutting hole 20X19,5 cm.

CODE
12111 10W 80-COLOUR*

\* To create the final product code add after the prefix, the colour code you wish from the available colours, see page 10.

# VOICES



REGULATION Manufactured in accordance with the Regulation EN 60598-1 and CE 93/68/EOK

## VOICE ARG1



**BODY** Pressed aluminium frame  
External diameter 23 cm and height 10,5 cm.

CODE

7380 20W 8Ω-COLOUR\*

## VOICE MARI



**BODY** Pressed aluminium frame  
Diameter 24 cm and height 11 cm.

CODE

7280 20W 8Ω-COLOUR\*

## VOICE HYDRA



**BODY** Stainless steel frame  
External dimension 21X21 cm and height 7.5 cm.

CODE

8480 20W 8Ω-COLOUR\*

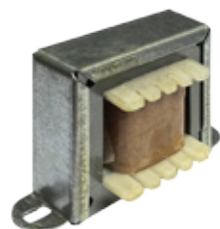
## VOICE IOS



**BODY** Pressed Aluminium Frame  
External dimension 30 cm and height 7.5 cm.

CODE

8280 20W 8Ω-COLOUR\*



CODE

20-P015-20

TRANSFORMER 100V  
IN LINE TRANSFORMER FOR VOICES 100V - 8 Ohm - 20 W  
Upon requestainless steel frame  
External dimension 21X21 cm and height 7.5 cm.

\* Για να δημιουργήσετε τον τελικό κωδικό του προϊόντος που επιθυμείτε, προσθέστε μετά τον αρχικό κωδικό, τον κωδικό χρώματος που επιθυμείτε από το χρωματολόγιο στη σελίδα 10.

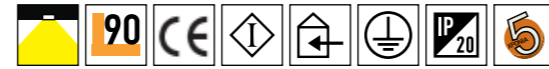


# MOUNTED ON CEILING





## MOUNTED ON CEILING



<b>BODY</b>	Aluminum Profile / PLEXIGLASS Opal Diffuser
<b>SOURCE</b>	Fortimo LED SLM Gen7 L19 1211
<b>ELECTRIC EQUIPMENT</b>	Constant Current LED Driver: On/Off • Dali • Dim 1-10V with Dimmer - Push Button
<b>CHARACTERISTICS</b>	CCT 3000K 4000K • CRI 80, 90, 97 • SDCM 3 • IP 20 • LOR 90 • Power factor 0,96
<b>REGULATION</b>	Manufactured in accordance with the Regulation EN 60598-1 and CE 93/68/EOK

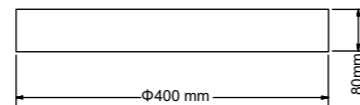
## CIRCLE COB LED



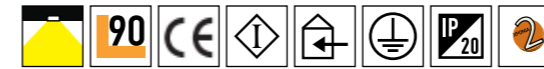
COLOUR TEMPERATURE KELVIN	CIRCLE Ø 400 mm - LINEAR MODULE			
	APP 1 - 23W		APP 2 - 32W	
	Lm	Lm/W	Lm	Lm/W
3000K	3615	169	3927	186
4000K	3850	178	4137	196

\*Luminous flux & power consumption of led. Φωτεινή ροή & κατανάλωση πυρίνα led.

CODE*	WATT	KELVIN	CRI	REFLECTOR DEGREES	LED DRIVER	COLOUR
571	23W (23)	3000K (30)	80 (8)	110° (110)	ON - OFF (C)	WHITE (-01)
					DALI (D)	BLACK (-03)
	32W (32)	4000K (40)	90 (9)		PUSH BUTTON (P)	ALUMINUM (-26)
					DIM 1-10V (I)	OTHER*** (-XX)
FINAL CODE						
571	--	--	--	--	--	--
	(WATT)	(KELVIN)	(CRI)	(REFLECTOR DEGREES)	(LED DRIVER)	(COLOUR)



\* Για να δημιουργήσετε τον τελικό κωδικό του προϊόντος που επιθυμείτε, προσθέστε μετά τον αρχικό κωδικό τους πορτοκαλί αριθμούς ή γράμματα που βρίσκονται μέσα στις παρενθέσεις ανάλογα με την επιλογή σας. \*\*\* Διαθέσιμο και σε άλλα χρώματα από το χρωματολόγιο στη σελίδα 10.



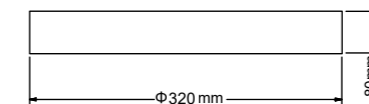
<b>BODY</b>	Aluminum Profile / PLEXIGLASS Opal Diffuser
<b>SOURCE</b>	SMD Led (ON BOARD)
<b>ELECTRIC EQUIPMENT</b>	Constant Current LED Driver: On/Off • Dali • Dim 1-10V with Dimmer - Push Button
<b>CHARACTERISTICS</b>	CCT 3000K 4000K • CRI 80, 90, 97 • SDCM 3 • IP 20 • LOR 90 • Power factor 0,96
<b>REGULATION</b>	Manufactured in accordance with the Regulation EN 60598-1 and CE 93/68/EOK

## CIRCLE SMD LED



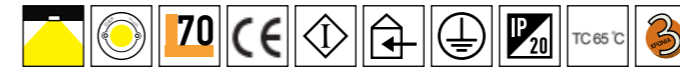
CODE	KELVIN	WATT
572230	3000	22 W
573030	3000	30 W
572240	4000	22 W
573040	4000	30 W

COLOUR TEMPERATURE KELVIN	22.1 W @ 500mA LUMEN	30 W @ 700 mA LUMEN
3000	2700	3645
4000	2967	3950





## MOUNTED ON CEILING



<b>BODY</b>	Aluminum
<b>SOURCE</b>	OSRAM CUBE AC LED Module 230 V (ON BOARD)
<b>OPTICAL MEDIUM</b>	Aluminium reflector 110°
<b>ELECTRIC EQUIPMENT</b>	Constant Current LED Driver: On/Off • Dali • Push Button
<b>CHARACTERISTICS</b>	CCT 3000K 4000K • CRI 84 • Protection degree IP 20 • LOR 96 • Power Factor > 0,90
<b>REGULATION</b>	Manufactured in accordance with the Regulation EN 60598-1 and CE 93/68/EOK

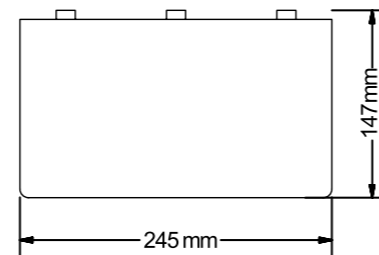
COLOUR TEMPERATURE KELVIN	18,8W	30,4W
	Lumen	Lumen
3000	2000	3000
4000	2000	3000

\*Luminous flux & power consumption of led. Φωτεινή ροή & κατανάλωση πυρίνα led.

## MARI 1 AC CUBE LED



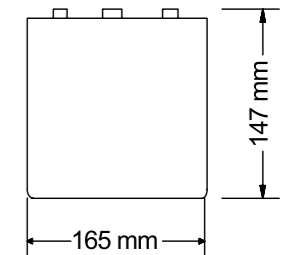
CODE*	WATT	KELVIN	CRI	REFLECTOR DEGREES	LED DRIVER	COLOUR
94	18,8W (22)	3000K (30)	80 (80)	110° (110)	ON - OFF (C)	WHITE (-01)
						BLACK (-03)
	30.4W (30)	4000K (40)				ALUMINUM (-26)
						OTHER*** (-XX)
FINAL CODE						
94	-- (WATT)	-- (KELVIN)	-- (CRI)	-- (REFLECTOR DEGREES)	-- (LED DRIVER)	-- (COLOUR)



## MARI 2 AC CUBE LED



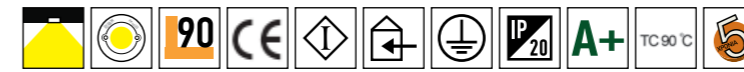
CODE*	WATT	KELVIN	CRI	REFLECTOR DEGREES	LED DRIVER	COLOUR
72	18,8W (22)	3000K (30)	80 (80)	110° (110)	ON - OFF (C)	WHITE (-01)
						BLACK (-03)
	30.4W (30)	4000K (40)				ALUMINUM (-26)
						OTHER*** (-XX)
FINAL CODE						
72	-- (WATT)	-- (KELVIN)	-- (CRI)	-- (REFLECTOR DEGREES)	-- (LED DRIVER)	-- (COLOUR)



\* Για να δημιουργήσετε τον τελικό κωδικό του προϊόντος που επιθυμείτε, προσθέστε μετά τον αρχικό κωδικό τους πορτοκαλί αριθμούς ή γράμματα που βρίσκονται μέσα στις παρενθέσεις ανάλογα με την επιλογή σας. \*\*\*Διαθέσιμο και σε άλλα χρώματα από το χρωματολόγιο στη σελίδα 10.

\* To create the final product code add after their original prefix the orange numbers or letters, inside the parentheses, according to your choice. \*\*\*Available in other colours, see page 10.

## MOUNTED ON CEILING



<b>BODY</b>	Die cast aluminum
<b>SOURCE</b>	LED VOSSLOH ActiveLine LED Module (ON BOARD)
<b>ELECTRIC EQUIPMENT</b>	On/Off • Push Button • Dali • Phase cut
<b>CHARACTERISTICS</b>	CCT 3000K 4000K • CRI 80 • Chromaticity < 3SDCM • Protection degree IP 20 • LOR 92 • Power Factor 0,97
<b>REGULATION</b>	Manufactured in accordance with the Regulation EN 60598-1 and CE 93/68/EOK

### LED VOSSLOH ActiveLine LED Module

COLOUR TEMPERATURE KELVIN	6,2W @350mA		9,3W @350mA		11,2W @420mA	
	Lm	Lm/W	Lm	Lm/W	Lm	Lm/W
3000K	615	99	1200	129	1440	129
4000K	645	104	1252	135	1502	134

\*Luminous flux & power consumption of led. Φωτεινή ροή & κατανάλωση πυρήνα led.

## CYLINDER COB LED



CODE*	WATT	KELVIN	CRI	REFLECTOR DEGREES	LED DRIVER	COLOUR
11A	6,2W (6)	3000K (30)	80 (8)	12° (12)	ON - OFF (C)	WHITE (-01)
	9,3W (9)			25° (25)	DALI (D)	BLACK (-03)
	11,2W (1)	4000K (40)		36° (36)	PHASE CUT (P)	OTHER** (-XX)
FINAL CODE						
11A	---	--	--	--	-	-
	(WATT)	(KELVIN)	(CRI)	(REFLECTOR DEGREES)	(LED DRIVER)	(COLOUR)

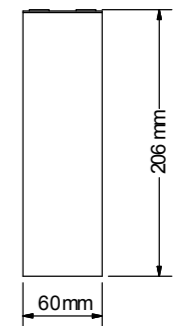


\* Για να δημιουργήσετε τον τελικό κωδικό του προϊόντος που επιθυμείτε, προσθέστε μετά τον αρχικό κωδικό τους πορτοκαλί αριθμούς ή γράμματα που βρίσκονται μέσα στις παρενθέσεις ανάλογα με την επιλογή σας. \*\*\*Διαθέσιμο και σε άλλα χρώματα από το χρωματολόγιο στη σελίδα 10.

## SKIM COB LED

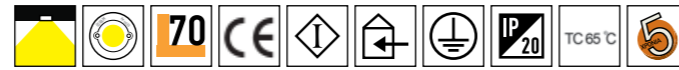


CODE*	WATT	KELVIN	CRI	REFLECTOR DEGREES	LED DRIVER	COLOUR
19A	6,2W (6)	3000K (30)	80 (8)	12° (12)	ON - OFF (C)	WHITE (-01)
	9,3W (9)			25° (25)	DALI (D)	BLACK (-03)
	11,2W (1)	4000K (40)		36° (36)	PHASE CUT (P)	OTHER** (-XX)
FINAL CODE						
19A	---	--	--	--	-	-
	(WATT)	(KELVIN)	(CRI)	(REFLECTOR DEGREES)	(LED DRIVER)	(COLOUR)



\* To create the final product code add after their original prefix the orange numbers or letters, inside the parentheses, according to your choice. \*\*Available in other colours, see page 10.

## MOUNTED ON CEILING



<b>BODY</b>	Aluminum
<b>SOURCE</b>	OSRAM AC PRO LED Module 230 V (ON BOARD)
<b>ELECTRIC EQUIPMENT</b>	On/Off
<b>CHARACTERISTICS</b>	CCT 3000K 4000K • CRI 83 • Protection degree IP 20 • LOR 92 • Power Factor 0,98
<b>REGULATION</b>	Manufactured in accordance with the Regulation EN 60598-1 and CE 93/68/EOK

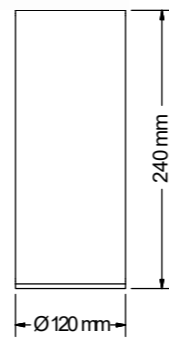
## ATENA AC PRO LED



COLOUR TEMPERATURE KELVIN	20W		33W	
	Lm	Lm/W	Lm	Lm/W
3000K	1816	91	2724	82
4000K	1871	94	2806	84

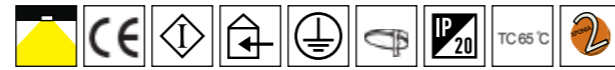
\*Luminous flux & power consumption of led. Φωτεινή ροή & κατανάλωση πυρήνα led.

CODE*	WATT	KELVIN	CRI	REFLECTOR DEGREES	LED DRIVER	COLOUR
10A	20W (20)	3000K (30)	80 (80)	12° (12)	ON - OFF (C)	WHITE (-01)
				40° (40)		BLACK (-03)
	33,3W (30)	4000K (40)		24° (24)		ALUMINUM (-26)
				60° (60)		OTHER*** (-XX)
10A	-- (WATT)	-- (KELVIN)	-- (CRI)	-- (REFLECTOR DEGREES)	-- (LED DRIVER)	-- (COLOUR)



\* To create the final product code add after their original prefix the orange numbers or letters, inside the parentheses, according to your choice. \*\*\*Available in other colours, see page 10.

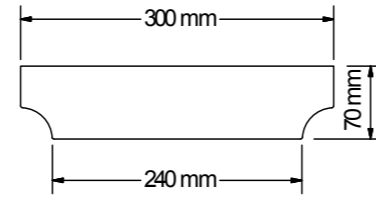
## MOUNTED ON CEILING



<b>BODY</b>	Steel
<b>SOURCE</b>	SMD LED (ON BOARD)
<b>OPTICAL MEDIUM</b>	Matte glass 110°
<b>CHARACTERISTICS</b>	2120 Lumen • 23,2 W • CCT 4000K • CRI 80 • IP 20
<b>REGULATION</b>	Manufactured in accordance with the Regulation EN 60598-1 and CE 93/68/EOK

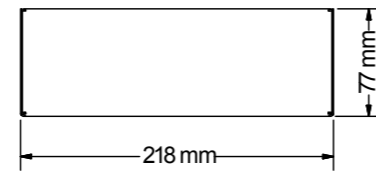
COLOUR TEMPERATURE KELVIN	22.1 W @ 500mA	30 W @ 700 mA
	LUMEN	LUMEN
3000	2700	3645
4000	2967	3950

## IOS SMD LED



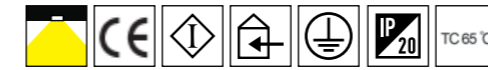
CODE	KELVIN	WATT
822230	3000	22 W
823030	3000	30 W
822240	4000	22 W
823040	4000	30 W

## HYDRA SMD LED



CODE	KELVIN	WATT
842230	3000	22 W
843030	3000	30 W
842240	4000	22 W
843040	4000	30 W

\* Για να δημιουργήσετε τον τελικό κωδικό του προϊόντος που επιθυμείτε, προσθέστε μετά τον αρχικό κωδικό, τον κωδικό χρώματος που επιθυμείτε από το χρωματολόγιο στη σελίδα 10.



<b>BODY</b>	Aluminium
<b>SOURCE</b>	GU 10
<b>Electric Equipment</b>	On/Off
<b>REGULATION</b>	Manufactured in accordance with the Regulation EN 60598-1 and CE 93/68/EOK

## SUN



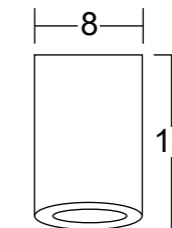
**BODY Aluminium Frame**  
External diameter 7,5 cm and height 8 cm

CODE
701 COLOUR

## FEET 1



FEET 1

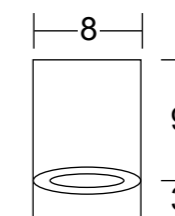


CODE
704 COLOUR

## FEET 2



FEET 2



CODE
706 COLOUR

# PENDANT LIGHTS





# PENDANT LIGHTS



<b>BODY</b>	Aluminium
<b>SOURCE</b>	Chip On Board (COB) LED Module • VOSSLOH SCHWABE READY LINE COB (230V) • BRIDGELUX VERO 29 (ON BOARD)
<b>ELECTRICAL EQUIPMENT</b>	On/Off
<b>CHARACTERISTICS</b>	CCT 3000K - 4000K - 5000K • Protection degree IP20 • CRI 70, 80 • LOR 92 • Power Factor > 0,96 • Silicon lens 69 degrees
<b>REGULATION</b>	Manufactured in accordance with the Regulation EN 60598-1 and CE 93/68/EOK
<b>SPECIAL APPLICATIONS</b>	For food and meat stores
<b>ACCESSORIES</b>	Cross (CODE: 468623)

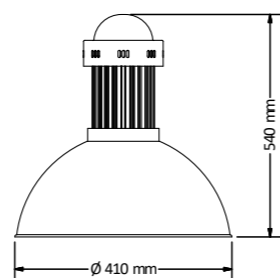
COLOUR TEMPERATURE KELVIN	80W @2100 mA		110W @2800 mA	
	Lm	Lm/W	Lm	Lm/W
3000K	10475	131	13386	122
4000K	10933	137	13971	127

\*Luminous flux & power consumption of led. Φωτεινή ροή & κατανάλωση πυρήνα led.

## MYKONOS COB LED



CODE*	WATT	KELVIN	CRI	REFLECTOR DEGREES	LED DRIVER	COLOUR			
18	80W (80)	3000K (30)	70 (70)	69° (69)	ON - OFF (C)	WHITE (-01)			
		4000K (40)				BLACK (-03)			
	110W (110)	80 (80)	ALUMINUM (-26)						
			5000K (50)						
	FINAL CODE								
	18	-- (WATT)	-- (KELVIN)			-- (CRI)	-- (REFLECTOR DEGREES)	-- (LED DRIVER)	-- (COLOUR)

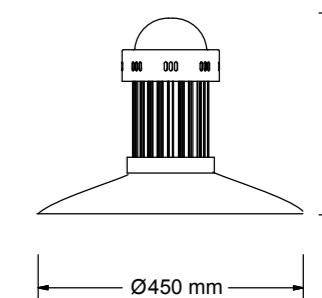


\* Για να δημιουργήσετε τον τελικό κωδικό του προϊόντος που επιθυμείτε, προσθέστε μετά τον αρχικό κωδικό τους πορτοκαλί αριθμούς ή γράμματα που βρίσκονται μέσα στις παρενθέσεις ανάλογα με την επιλογή σας. \*\*\*Διαθέσιμο και σε άλλα χρώματα από το χρωματολόγιο στη σελίδα 10.

## ITHAKI COB LED



CODE*	WATT	KELVIN	CRI	REFLECTOR DEGREES	LED DRIVER	COLOUR			
59	80W (80)	3000K (30)	70 (70)	69° (69)	ON - OFF (C)	WHITE (-01)			
		4000K (40)				BLACK (-03)			
	110W (110)	80 (80)	ALUMINUM (-26)						
			5000K (50)						
	FINAL CODE								
	59	-- (WATT)	-- (KELVIN)			-- (CRI)	-- (REFLECTOR DEGREES)	-- (LED DRIVER)	-- (COLOUR)



\* To create the final product code add after their original prefix the orange numbers or letters, inside the parentheses, according to your choice. \*\*\*Available in other colours, see page 10.

# PENDANT LIGHTS



<b>BODY</b>	Aluminium
<b>SOURCE</b>	Chip On Board (COB) LED Module
<b>ELECTRICAL EQUIPMENT</b>	On/Off • Dim • 1-10 Vdali
<b>CHARACTERISTICS</b>	CCT 3000K - 4000K • CRI 80 • Chromaticity <3SDCM • Protection degree IP 20 • LOR 91 • Power Factor 0,96 • Silicon lens 69 degrees
<b>UPON REQUEST</b>	Constant Lumen Operation • CCT 2700K & 3500K • CRI 90 & 97
<b>REGULATION</b>	Manufactured in accordance with the Regulation EN 60598-1 and CE 93/68/EOK
<b>ACCESSORIES</b>	Cross (CODE: 468623)

COLOUR TEMPERATURE KELVIN	16,2W @500 mA		23,2W @700 mA		30,4W @900 mA		35,9W @1050 mA		41,6W @1200 mA		49,3W @1400 mA	
	Lm	Lm/W	Lm	Lm/W	Lm	Lm/W	Lm	Lm/W	Lm	Lm/W	Lm	Lm/W
3000K	2854	176	3899	168	4888	161	5596	156	6278	151	7247	147
4000K	3011	186	4115	177	5159	170	5907	165	6628	159	7638	155

\*Luminous flux & power consumption of led. Φωτεινή ροή & κατανάλωση πυρήνα led.

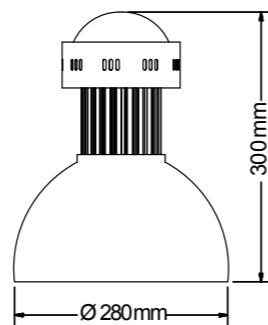
## SERIFOS COB LED



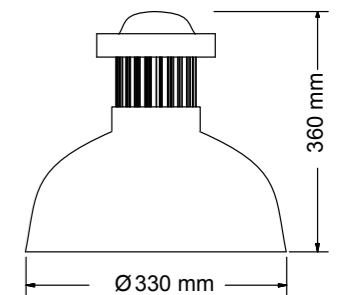
## ANAFI COB LED



CODE*	WATT	KELVIN	CRI	REFLECTOR DEGREES	LED DRIVER	COLOUR
86	16,2W (17)	3000K (30)	80 (80)	69° (69)	ON - OFF (C)	WHITE (-01)
	23,2W (25)					
	30,4W (32)					
	35,9W (37)	4000K (40)	90 (90)		DALI (D)	BLACK (-03)
	41,6W (43)					
	49,3W (50)		97 (97)		DIM 1 - 10 V (V)	ALUMINUM (-26)
FINAL CODE						
86	-- (WATT)	-- (KELVIN)	-- (CRI)	-- (REFLECTOR DEGREES)	-- (LED DRIVER)	-- (COLOUR)



CODE*	WATT	KELVIN	CRI	REFLECTOR DEGREES	LED DRIVER	COLOUR
37	16,2W (16)	3000K (30)	80 (80)	69° (69)	ON - OFF (C)	WHITE (-01)
	23,2W (24)					
	30,4W (31)					
	35,9W (36)	4000K (40)	90 (90)		DALI (D)	BLACK (-03)
	41,6W (42)					
			97 (97)		DIM 1 - 10 V (V)	ALUMINUM (-26)
FINAL CODE						
37	-- (WATT)	-- (KELVIN)	-- (CRI)	-- (REFLECTOR DEGREES)	-- (LED DRIVER)	-- (COLOUR)



\* Για να δημιουργήσετε τον τελικό κωδικό του προϊόντος που επιθυμείτε, προσθέστε μετά τον αρχικό κωδικό τους πορτοκαλί αριθμούς ή γράμματα που βρίσκονται μέσα στις παρενθέσεις ανάλογα με την επιλογή σας. \*\*\*Διαθέσιμο και σε άλλα χρώματα από το χρωματολόγιο στη σελίδα 10.

\* To create the final product code add after their original prefix the orange numbers or letters, inside the parentheses, according to your choice. \*\*\*Available in other colours, see page 10.



## PENDANT LIGHTS

<b>BODY</b>	Aluminium
<b>SOURCE</b>	Chip On Board (COB) LED Module
<b>ELECTRICAL EQUIPMENT</b>	On/Off
<b>CHARACTERISTICS</b>	CCT 3000K - 4000K • CRI 80 • Chromaticity <3SDCM • Protection degree IP 20 • LOR 91 • Power Factor 0,96
<b>UPON REQUEST</b>	Constant Lumen Operation • CCT 2700K & 3500K
<b>REGULATION</b>	Manufactured in accordance with the Regulation EN 60598-1 and CE 93/68/EOK

### SIKINOS COB LED



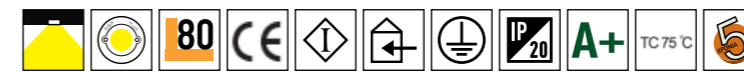
COLOUR TEMPERATURE KELVIN	10W	15W	20W
	Lm	Lm	Lm
3000K	900	1350	1800
4000K	950	1425	1900

\*Luminous flux & power consumption of led. Φωτεινή ροή & κατανάλωση πυρήνα led.

CODE*	WATT	KELVIN	CRI	REFLECTOR DEGREES	LED DRIVER	COLOUR
3800	10W (10)	3000K (3)	80 (80)	69° (69)	ON - OFF (C)	WHITE (-01)
	15W (15)					BLACK (-03)
	20W (20)	4000K (4)	ALUMINUM (-26)			
FINAL CODE						
3800	-- (WATT)	-- (KELVIN)	-- (CRI)	-- (REFLECTOR DEGREES)	-- (LED DRIVER)	-- (COLOUR)



\* Για να δημιουργήσετε τον τελικό κωδικό του προϊόντος που επιθυμείτε, προσθέστε μετά τον αρχικό κωδικό τους πορτοκαλί αριθμούς ή γράμματα που βρίσκονται μέσα στις παρενθέσεις ανάλογα με την επιλογή σας. \*\*\*Διαθέσιμο και σε άλλα χρώματα από το χρωματολόγιο στη σελίδα 10.



<b>BODY</b>	Aluminium / Polycarbonate Cover
<b>SOURCE</b>	Chip On Board (COB) LED Module
<b>ELECTRICAL EQUIPMENT</b>	On/Off • Dim • 1-10 V Dali
<b>CHARACTERISTICS</b>	CCT 3000K - 4000K • CRI 80 • Chromaticity <3SDCM • Protection degree IP 20 • LOR 91 • Power Factor 0,96 • Silicon lens 69 degrees
<b>UPON REQUEST</b>	Constant Lumen Operation • CCT 2700K & 3500K • CRI 90 & 97
<b>REGULATION</b>	Manufactured in accordance with the Regulation EN 60598-1 and CE 93/68/EOK

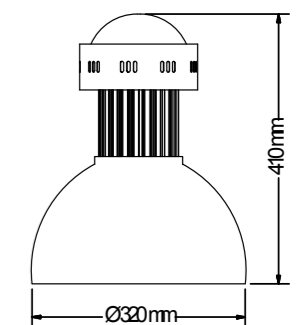
### ANDROS COB LED



COLOUR TEMPERATURE KELVIN	16,2W @500 mA		23,2W @700 mA		30,4W @900 mA		35,9W @1050 mA		41,6W @1200 mA		49,3W @1400 mA	
	Lm	Lm/W	Lm	Lm/W	Lm	Lm/W	Lm	Lm/W	Lm	Lm/W	Lm	Lm/W
3000K	2854	176	3899	168	4888	161	5596	156	6278	151	7247	147
4000K	3011	186	4115	177	5159	170	5907	165	6628	159	7638	155

\*Luminous flux & power consumption of led. Φωτεινή ροή & κατανάλωση πυρήνα led.

CODE*	WATT	KELVIN	CRI	REFLECTOR DEGREES	LED DRIVER	COLOUR
73	16,2W (16)	3000K (30)	80 (80)	69° (69)	ON - OFF (C)	WHITE (-01)
	23,2W (24)					
	30,4W (31)				90 (90)	DALI (D)
	35,9W (36)					
	41,6W (42)	4000K (40)	97 (97)		DIM 1 - 10 V (V)	ALUMINUM (-26)
	49,3W (49)					
FINAL CODE						
73	-- (WATT)	-- (KELVIN)	-- (CRI)	-- (REFLECTOR DEGREES)	-- (LED DRIVER)	-- (COLOUR)



\* To create the final product code add after their original prefix the orange numbers or letters, inside the parentheses, according to your choice. \*\*\*Available in other colours, see page 10.

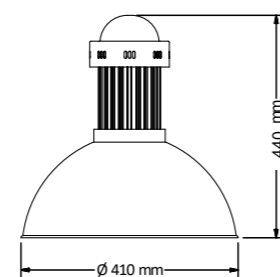
## PENDANT LIGHTS

<b>BODY</b>	Aluminium
<b>SOURCE</b>	Chip On Board (COB) LED Module • VOSSLÖH SCHWABE READY LINE COB (230V) • BRIDGELUX VERO 29 (ON BOARD)
<b>ELECTRICAL EQUIPMENT</b>	On/Off
<b>CHARACTERISTICS</b>	CCT 3000K - 4000K - 5000K • CRI 80 • Protection degree IP 20 • CRI 70, 80 • LOR 92 • Power Factor > 0,96 • Silicon lens 69 degrees
<b>SPECIAL APPLICATIONS</b>	For food and meat stores
<b>REGULATION</b>	Manufactured in accordance with the Regulation EN 60598-1 and CE 93/68/EOK
<b>ACCESSORIES</b>	Cross (CODE: 468623)

## MYKONOS AC LED



Vosslöh 40W 22 V			
CODE	KELVIN	Lm	Lm/W
184030 color	3000	3800	99
184040 color	4000	3920	98



**BODY** Die cast aluminum  
**SOURCE** Chip On Board (COB) LED Module • VOSSL0H ActiveLine LED Module • BRIDGELUX V10 (ON BOARD)  
**ELECTRIC EQUIPMENT** On/Off • Push Button • Dali • Phase cut  
**CHARACTERISTICS** CCT 3000K - 4000K • CRI 80 • Chromaticity < 3SDCM • Protection degree IP 20 • LOR 92  
 • Power Factor 0,97  
**REGULATION** Manufactured in accordance with the Regulation EN 60598-1 and CE 93/68/EOK

## LED VOSSL0H ActiveLine LED Module

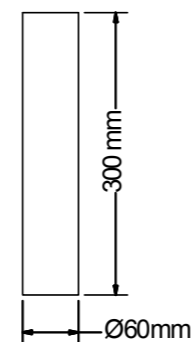
COLOUR TEMPERATURE KELVIN	6,2W @350mA		9,3W @350mA		11,2W @420mA	
	Lm	Lm/W	Lm	Lm/W	Lm	Lm/W
3000K	615	99	1200	129	1440	129
4000K	645	104	1252	135	1502	134

\*Luminous flux & power consumption of led. Φωτεινή ροή & κατανάλωση πυρήνα led.

## SKIM PENDANT LED



CODE*	WATT	KELVIN	CRI	REFLECTOR DEGREES	LED DRIVER	COLOUR
19K	6,2W (6)	3000K (30)	80 (8)	12° (12)	ON - OFF (C)	WHITE (-01)
	9,3W (9)			25° (25)	DALI (D)	BLACK (-03)
	11,2W (1)	4000K (40)		36° (36)	PHASE CUT (P)	OTHER** (-XX)
FINAL CODE						
19K	---	--	--	--	-	-
	(WATT)	(KELVIN)	(CRI)	(REFLECTOR DEGREES)	(LED DRIVER)	(COLOUR)

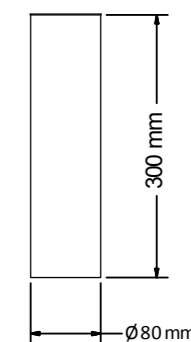


\* Για να δημιουργήσετε τον τελικό κωδικό του προϊόντος που επιθυμείτε, προσθέστε μετά τον αρχικό κωδικό τους πορτοκαλί αριθμούς ή γράμματα που βρίσκονται μέσα στις παρενθέσεις ανάλογα με την επιλογή σας. \*\*\*Διαθέσιμο και σε άλλα χρώματα από το χρωματολόγιο στη σελίδα 10.

## CYLINDER PENDANT LED

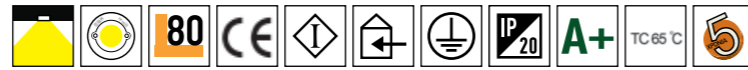


CODE*	WATT	KELVIN	CRI	REFLECTOR DEGREES	LED DRIVER	COLOUR
11K	6,2W (6)	3000K (30)	80 (8)	12° (12)	ON - OFF (C)	WHITE (-01)
	9,3W (9)			25° (25)	DALI (D)	BLACK (-03)
	11,2W (1)	4000K (40)		36° (36)	PHASE CUT (P)	OTHER** (-XX)
FINAL CODE						
11K	---	--	--	--	-	-
	(WATT)	(KELVIN)	(CRI)	(REFLECTOR DEGREES)	(LED DRIVER)	(COLOUR)



\* To create the final product code add after their original prefix the orange numbers or letters, inside the parentheses, according to your choice. \*\*Available in other colours, see page 10.

## PENDANT LIGHTS



<b>BODY</b>	Aluminium
<b>SOURCE</b>	OSRAM AC PRO LED Module 230 V (ON BOARD)
<b>ELECTRICAL EQUIPMENT</b>	On/Off
<b>CHARACTERISTICS</b>	CCT 3000K - 4000K • CRI 83 • Protection degree IP 20 • LOR 92 • Power Factor 0,98
<b>REGULATION</b>	Manufactured in accordance with the Regulation EN 60598-1 and CE 93/68/EOK

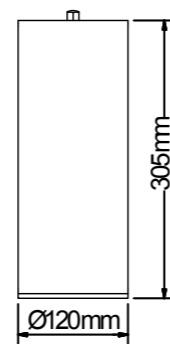
### ELITE PENDANT LED



COLOUR TEMPERATURE KELVIN	20W		33W	
	Lm	Lm/W	Lm	Lm/W
3000K	1816	91	2724	82
4000K	1871	94	2806	84

\*Luminous flux & power consumption of led. Φωτεινή ροή & κατανάλωση πυρήνα led.

CODE*	WATT	KELVIN	CRI	REFLECTOR DEGREES	LED DRIVER	COLOUR
10K	20W (20)	3000K (30)	80 (80)	12° (12)	ON - OFF (C)	WHITE (-01)
				24° (24)		BLACK (-03)
	33W (33)	4000K (40)		40° (40)		ALUMINUM (-26)
				60° (60)		OTHER*** (-XX)
FINAL CODE						
10K	-- (WATT)	-- (KELVIN)	-- (CRI)	-- (REFLECTOR DEGREES)	-- (LED DRIVER)	-- (COLOUR)



\* Για να δημιουργήσετε τον τελικό κωδικό του προϊόντος που επιθυμείτε, προσθέστε μετά τον αρχικό κωδικό τους πορτοκαλί αριθμούς ή γράμματα που βρίσκονται μέσα στις παρενθέσεις ανάλογα με την επιλογή σας. \*\*\*Διαθέσιμο και σε άλλα χρώματα από το χρωματολόγιο στη σελίδα 10.

## PENDANT LIGHTS



<b>BODY</b>	Aluminium
<b>LAMPHOLDER</b>	SMD
<b>REGULATION</b>	Manufactured in accordance with EN 60598-1 standards

### SPETSES SMD

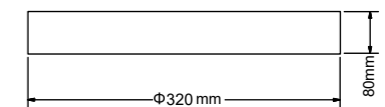


External diameter 23.5 cm and height 22 cm.

CODE	KELVIN	WATT
702230 colour	3000	22W
703030 colour	3000	30W
702240 colour	4000	22W
703040 colour	4000	30W

COLOUR TEMPERATURE KELVIN	22.1 W @ 500 mA	30 W @ 700 mA
	Lumen	Lumen
3000	2700	3645
4000	2967	3950

### CIRCLE SMD



CODE	KELVIN	WATT
572230K	3000	22W
573030K	3000	30W
572240K	4000	22W
573040K	4000	30W

## PENDANT LIGHTS

BODY	Aluminium
LAMPHOLDER	E27
REGULATION	Manufactured in accordance with EN 60598-1 standards

### ARIADNI E27



External diameter 12 cm and height 48 cm.

CODE
77772-COLOUR*

### RODOS E27



Diameter 40 cm and height 27 cm

CODE
3939-COLOUR*

### MILOS 1 E27



External diameter 27 cm and height 17 cm.

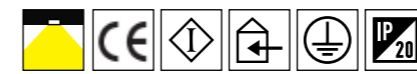
CODE
70081-COLOUR*

### MILOS 2 E27



External diameter 14 cm and height 24 cm.

CODE
7010-COLOUR*



BODY	Aluminium, Polycarbonate
LAMPHOLDER	E27
REGULATION	Manufactured in accordance with EN 60598-1 standards

### ANDROS 1 E27



Diameter 46 cm and height 55 cm.

CODE
7055-COLOUR*

### ANDROS 2 E27



Diameter 32 cm and height 48 cm.

CODE
7054-COLOUR*

### CORFU E27



External diameter 45 cm and height 40 cm

CODE	
With Glass	7005-G-COLOUR*
Without Glass	7005-COLOUR*

\* Για να δημιουργήσετε τον τελικό κωδικό του προϊόντος που επιθυμείτε, προσθέστε μετά τον αρχικό κωδικό, τον κωδικό χρώματος που επιθυμείτε από το χρωματολόγιο στη σελίδα 10.

\* To create the final product code add after the prefix, the colour code you wish from the available colours, see page 10.

## PENDANT LIGHTS

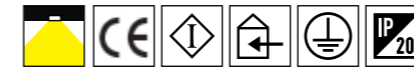
<b>BODY</b>	Aluminium
<b>LAMPHOLDER</b>	E27
<b>REGULATION</b>	Manufactured in accordance with EN 60598-1 standards

## KARISTOS



Diameter 580 mm Height 280 mm  
IP20

CODE
1367-Colour



<b>SOURCE</b>	OSRAM / VOSSLOH SCHWABE AC PRO LED Module230 V
<b>OPTICAL MEDIUM</b>	Reflector 12244060
<b>ELECTRIC EQUIPMENT</b>	On/Off • Phase cut
<b>CHARACTERISTICS</b>	CCT 3000K - 4000K • CRI 80 • Chromaticity < 3SDCM • Power Factor 0,97

## STROGILI WATERPROOF



Diameter 500 mm Height 254 mm  
IP65

CODE	KELVIN	WATT
1368-Colour	3000	33 W
1369-Colour	4000	33 W

## AVIS



Diameter 400 mm Height 200 mm  
IP 20

CODE	KELVIN	WATT
1370-Colour	3000	33 W
1371-Colour	4000	33 W

## DECORATION

BODY	Aluminium
REGULATION	Manufactured in accordance with EN 60598-1 standards

### ARETI



External dimension 15,5 x 23,5 cm.

CODE	LAMPHOLDER
6009-COLOUR*	G9

### MAXIMUS



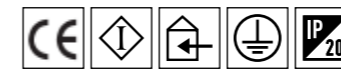
CODE	LAMPHOLDER
7081-COLOUR*	GU10

### LOOP



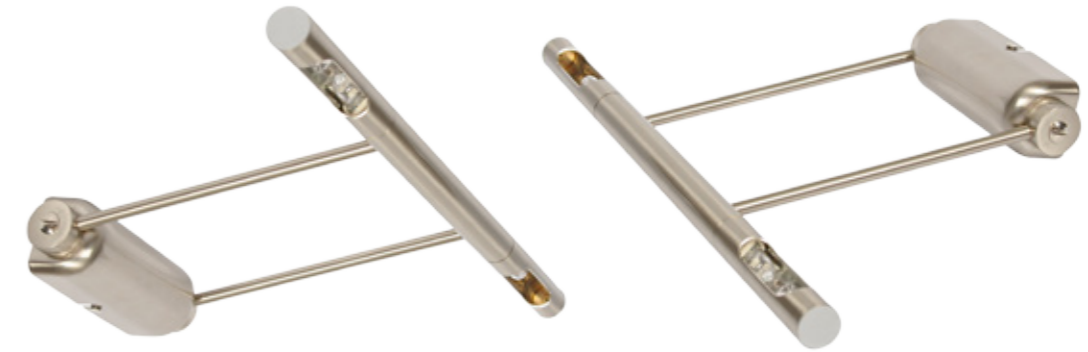
CODE	LAMPHOLDER
7080-COLOUR*	GU10
7080-1 SPIRAL 45cm	GU10

\* Για να δημιουργήσετε τον τελικό κωδικό του προϊόντος που επιθυμείτε, προσθέστε μετά τον αρχικό κωδικό, τον κωδικό χρώματος που επιθυμείτε από το χρωματολόγιο στη σελίδα 10.



BODY	Aluminium
REGULATION	Manufactured in accordance with EN 60598-1 standards

### STING G9



CODE	LAMPHOLDER
7009-COLOUR*	G9

### ZAKYNTHOS E27



CODE	LAMPHOLDER
4343-COLOUR*	E27

\* To create the final product code add after the prefix, the colour code you wish from the available colours, see page 10.

# COMPOSITIONS







# COMPOSITIONS



<b>BODY</b>	Die cast aluminium internalspot and steel frame
<b>SOURCE</b>	Chip On Board (COB) LED Module
<b>ELECTRIC EQUIPMENT</b>	Constant Current LED Driver • On/Off • Push Button • Dim 1-10V • Emergency • Dali • Phase Cut
<b>CHARACTERISTICS</b>	CCT 3000K - 4000K • CRI 80 • Chromaticity <3SDCM • Protection degree IP 20 • LOR 91 Power Factor 0,96
<b>UPON REQUEST</b>	Constant Lumen Operation • CCT 2700K & 3500K • CRI 90 & 97
<b>REGULATION</b>	Manufactured in accordance with the Regulation EN 60598-1 and CE 93/68/EOK

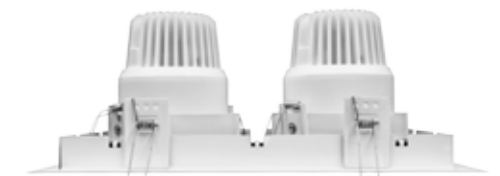
COLOUR TEMPERATURE KELVIN	16,2W @500 mA		23,2W @700 mA		30,4W @900 mA		35,9W @1050 mA		41,6W @1200 mA		49,3W @1400 mA	
	Lm	Lm/W	Lm	Lm/W	Lm	Lm/W	Lm	Lm/W	Lm	Lm/W	Lm	Lm/W
3000K	2854	176	3899	168	4888	161	5596	156	6278	151	7247	147
4000K	3011	186	4115	177	5159	170	5907	165	6628	159	7638	155

\*Luminous flux & power consumption of led. Φωτεινή ροή & κατανάλωση πυρήνα led.

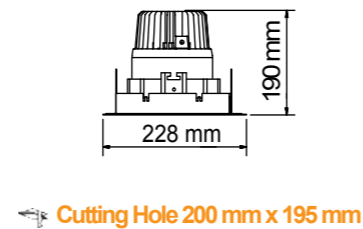
## CIRCO UNIC COB LED



## CIRCO DUBLU COB LED

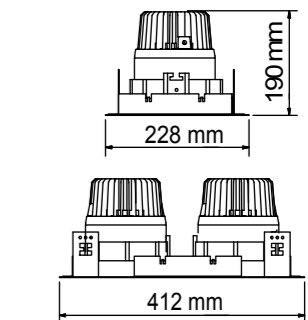


CODE*	WATT	KELVIN	CRI	REFLECTOR DEGREES	LED DRIVER	COLOUR			
85	16,2W (16)	3000K (30)	80 (80)	12° (12)	ON - OFF (C)	WHITE (-01)			
	23,2W (24)				DALI (D)	BLACK (-03)			
	30,4W (31)			24° (24)	DIM 1 - 10 V (V)				
	35,9W (36)				40° (40)	PUSH BUTTON (B)	ALUMINUM (-26)		
	41,6W (42)	4000K (40)	90 (90)	60° (60)	PHASE CUT (P)	OTHER** (-XX)			
	49,3W (49)				EMERGENCY (E)				
	FINAL CODE								
	85			-- (WATT)	-- (KELVIN)	-- (CRI)	-- (REFLECTOR DEGREES)	-- (LED DRIVER)	-- (COLOUR)



✂ Cutting Hole 200 mm x 195 mm

CODE*	WATT	KELVIN	CRI	REFLECTOR DEGREES	LED DRIVER	COLOUR			
86	32,4W (16)	3000K (30)	80 (80)	12° (12)	ON - OFF (C)	WHITE (-01)			
	46,4W (24)				DALI (D)	BLACK (-03)			
	60,8W (31)			24° (24)	DIM 1 - 10 V (V)				
	71,8W (36)				40° (40)	PUSH BUTTON (B)	ALUMINUM (-26)		
	83,2W (42)	4000K (40)	90 (90)	60° (60)	PHASE CUT (P)	OTHER** (-XX)			
	98,6W (49)				EMERGENCY (E)				
	FINAL CODE								
	86			-- (WATT)	-- (KELVIN)	-- (CRI)	-- (REFLECTOR DEGREES)	-- (LED DRIVER)	-- (COLOUR)



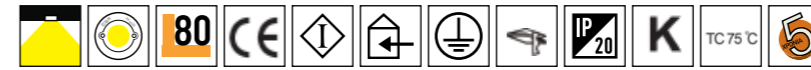
✂ Cutting Hole 200 mm x 380 mm

\* Για να δημιουργήσετε τον τελικό κωδικό του προϊόντος που επιθυμείτε, προσθέστε μετά τον αρχικό κωδικό τους πορτοκαλί αριθμούς ή γράμματα που βρίσκονται μέσα στις παρενθέσεις ανάλογα με την επιλογή σας. \*\*\*Διαθέσιμο και σε άλλα χρώματα από το χρωματολόγιο στη σελίδα 10.

\* To create the final product code add after their original prefix the orange numbers or letters, inside the parentheses, according to your choice. \*\*Available in other colours, see page 10.

## COMPOSITIONS

<b>BODY</b>	Die cast aluminium internalspot and steel frame
<b>SOURCE</b>	Chip On Board (COB) LED Module
<b>ELECTRIC EQUIPMENT</b>	Constant Current LED Driver • On/Off • Push Button • Dim 1-10V • Emergency • Dali • Phase Cut
<b>CHARACTERISTICS</b>	CCT 3000K - 4000K • CRI 80 • Chromaticity <3SDCM • Protection degree IP 20 • LOR 91 Power Factor 0,96
<b>UPON REQUEST</b>	Constant Lumen Operation • CCT 2700K & 3500K • CRI 90 & 97
<b>REGULATION</b>	Manufactured in accordance with the Regulation EN 60598-1 and CE 93/68/EOK



COLOUR TEMPERATURE KELVIN	16,2W @500 mA		23,2W @700 mA		30,4W @900 mA		35,9W @1050 mA		41,6W @1200 mA		49,3W @1400 mA	
	Lm	Lm/W	Lm	Lm/W	Lm	Lm/W	Lm	Lm/W	Lm	Lm/W	Lm	Lm/W
3000K	2854	176	3899	168	4888	161	5596	156	6278	151	7247	147
4000K	3011	186	4115	177	5159	170	5907	165	6628	159	7638	155

\*Luminous flux & power consumption of led. Φωτεινή ροή & κατανάλωση πυρήνα led.

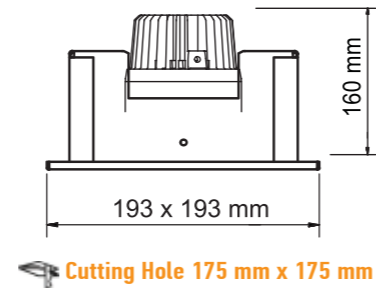
## STEALTH UNIC COB LED



## STEALTH DUBLU COB LED

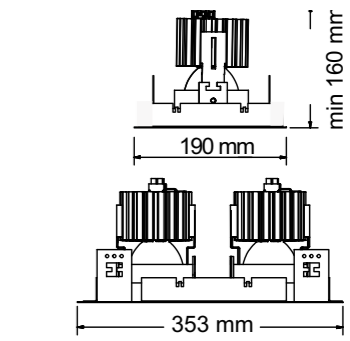


CODE*	WATT	KELVIN	CRI	REFLECTOR DEGREES	LED DRIVER	COLOUR
521	16,2W (1)	3000K (30)	80 (80)	12° (12)	ON - OFF (C)	WHITE (-01)
	23,2W (2)				DALI (D)	BLACK (-03)
	30,4W (3)			DIM 1 - 10 V (V)		
	35,9W (4)	4000K (40)	90 (90)	24° (24)	PUSH BUTTON (B)	ALUMINUM (-26)
	41,6W (5)				PHASE CUT (P)	OTHER** (-XX)
	49,3W (6)			EMERGENCY (E)		
FINAL CODE						
521	-- (WATT)	-- (KELVIN)	-- (CRI)	-- (REFLECTOR DEGREES)	-- (LED DRIVER)	-- (COLOUR)



✂ Cutting Hole 175 mm x 175 mm

CODE*	WATT	KELVIN	CRI	REFLECTOR DEGREES	LED DRIVER	COLOUR
522	32,4W (1)	3000K (30)	80 (80)	12° (12)	ON - OFF (C)	WHITE (-01)
	46,4W (2)				DALI (D)	BLACK (-03)
	60,8W (3)			DIM 1 - 10 V (V)		
	71,8W (4)	4000K (40)	90 (90)	24° (24)	PUSH BUTTON (B)	ALUMINUM (-26)
	83,2W (5)				PHASE CUT (P)	OTHER** (-XX)
	98,6W (6)			EMERGENCY (E)		
FINAL CODE						
522	-- (WATT)	-- (KELVIN)	-- (CRI)	-- (REFLECTOR DEGREES)	-- (LED DRIVER)	-- (COLOUR)



✂ Cutting Hole 330 mm x 170 mm

\* Για να δημιουργήσετε τον τελικό κωδικό του προϊόντος που επιθυμείτε, προσθέστε μετά τον αρχικό κωδικό τους πορτοκαλί αριθμούς ή γράμματα που βρίσκονται μέσα στις παρενθέσεις ανάλογα με την επιλογή σας. \*\*\*Διαθέσιμο και σε άλλα χρώματα από το χρωματολόγιο στη σελίδα 10.

\* To create the final product code add after their original prefix the orange numbers or letters, inside the parentheses, according to your choice. \*\*Available in other colours, see page 10.

# COMPOSITIONS



<b>BODY</b>	Die cast aluminium internalspot and steel frame
<b>SOURCE</b>	Chip On Board (COB) LED Module
<b>ELECTRIC EQUIPMENT</b>	Constant Current LED Driver • On/Off • Push Button • Dim 1-10V • Emergency • Dali • Phase Cut
<b>CHARACTERISTICS</b>	CCT 3000K - 4000K • CRI 80 • Chromaticity <3SDCM • Protection degree IP 20 • LOR 91 Power Factor 0,96
<b>UPON REQUEST</b>	Constant Lumen Operation • CCT 2700K & 3500K • CRI 90 & 97
<b>REGULATION</b>	Manufactured in accordance with the Regulation EN 60598-1 and CE 93/68/EOK

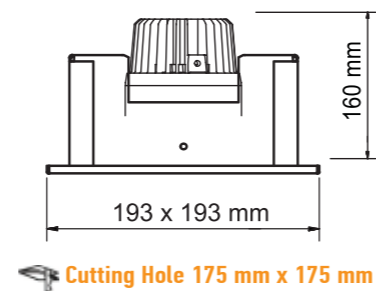
COLOUR TEMPERATURE KELVIN	16,2W @500 mA		23,2W @700 mA		30,4W @900 mA		35,9W @1050 mA		41,6W @1200 mA		49,3W @1400 mA	
	Lm	Lm/W	Lm	Lm/W	Lm	Lm/W	Lm	Lm/W	Lm	Lm/W	Lm	Lm/W
3000K	2854	176	3899	168	4888	161	5596	156	6278	151	7247	147
4000K	3011	186	4115	177	5159	170	5907	165	6628	159	7638	155

\*Luminous flux & power consumption of led. Φωτεινή ροή & κατανάλωση πυρήνα led.

## DIAMOND UNIC COB LED



CODE*	WATT	KELVIN	CRI	REFLECTOR DEGREES	LED DRIVER	COLOUR		
87	16,2W (16)	3000K (30)	80 (80)	12° (12)	ON - OFF (C)	WHITE (-01)		
	23,2W (24)				DALI (D)	BLACK (-03)		
	30,4W (31)		90 (90)	24° (24)	DIM 1 - 10 V (V)			
	35,9W (36)				PUSH BUTTON (B)	ALUMINUM (-26)		
	41,6W (42)	4000K (40)	97 (97)	40° (40)	PHASE CUT (P)	OTHER** (-XX)		
	49,3W (49)				EMERGENCY (E)			
	FINAL CODE							
	87		-- (WATT)	-- (KELVIN)	-- (CRI)	-- (REFLECTOR DEGREES)	-- (LED DRIVER)	-- (COLOUR)

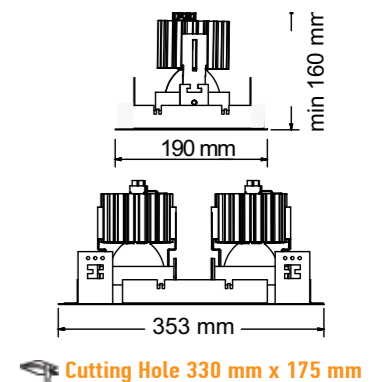


\* Για να δημιουργήσετε τον τελικό κωδικό του προϊόντος που επιθυμείτε, προσθέστε μετά τον αρχικό κωδικό τους πορτοκαλί αριθμούς ή γράμματα που βρίσκονται μέσα στις παρενθέσεις ανάλογα με την επιλογή σας. \*\*\*Διαθέσιμο και σε άλλα χρώματα από το χρωματολόγιο στη σελίδα 10.

## DIAMOND DUBLU COB LED

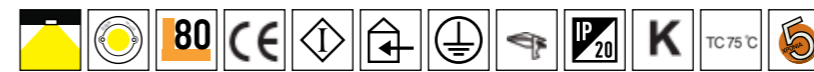


CODE*	WATT	KELVIN	CRI	REFLECTOR DEGREES	LED DRIVER	COLOUR		
88	32,4W (16)	3000K (30)	80 (80)	12° (12)	ON - OFF (C)	WHITE (-01)		
	46,4W (24)				DALI (D)	BLACK (-03)		
	60,8W (31)		90 (90)	24° (24)	DIM 1 - 10 V (V)			
	71,8W (36)				PUSH BUTTON (B)	ALUMINUM (-26)		
	83,2W (42)	4000K (40)	97 (97)	40° (40)	PHASE CUT (P)	OTHER** (-XX)		
	98,6W (49)				EMERGENCY (E)			
	FINAL CODE							
	88		-- (WATT)	-- (KELVIN)	-- (CRI)	-- (REFLECTOR DEGREES)	-- (LED DRIVER)	-- (COLOUR)



\* To create the final product code add after their original prefix the orange numbers or letters, inside the parentheses, according to your choice. \*\*Available in other colours, see page 10.

# COMPOSITIONS



<b>BODY</b>	Die cast aluminium internalspot and steel frame
<b>SOURCE</b>	Chip On Board (COB) LED Module
<b>ELECTRIC EQUIPMENT</b>	Constant Current LED Driver • On/Off • Push Button • Dim 1-10V • Emergency • Dali • Phase Cut
<b>CHARACTERISTICS</b>	CCT 3000K - 4000K • CRI 80 • Chromaticity <3SDCM • Protection degree IP 20 • LOR 91 Power Factor 0,96
<b>UPON REQUEST</b>	Constant Lumen Operation • CCT 2700K & 3500K • CRI 90 & 97
<b>REGULATION</b>	Manufactured in accordance with the Regulation EN 60598-1 and CE 93/68/EOK

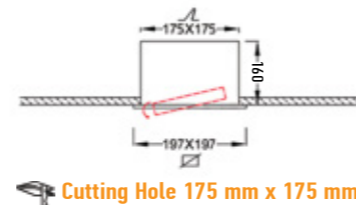
COLOUR TEMPERATURE KELVIN	16,2W @500 mA		23,2W @700 mA		30,4W @900 mA		49,3W @1400 mA	
	Lm	Lm/W	Lm	Lm/W	Lm	Lm/W	Lm	Lm/W
3000K	2854	176	3899	168	4888	161	7247	147
4000K	3011	186	4115	177	5159	170	7638	155

\*Luminous flux & power consumption of led. Φωτεινή ροή & κατανάλωση πυρήνα led.

## NEW DIAMOND UNIC COB LED



CODE*	WATT	KELVIN	CRI	REFLECTOR DEGREES	LED DRIVER	COLOUR	
541	16,2W (6)	3000K (30)	80 (80)	12° (12)	ON - OFF (C)	WHITE (-01)	
				24° (24)	DALI (D)	BLACK (-03)	
	23,2W (2)		90 (90)	40° (40)	DIM 1 - 10 V (V)	ALUMINUM (-26)	
				60° (60)	PUSH BUTTON (B)	OTHER** (-XX)	
	30,4W (3)	4000K (40)	97 (97)	40° (40)	PHASE CUT (P)	OTHER** (-XX)	
				60° (60)	EMERGENCY (E)		
	49,3W (4)		FINAL CODE				
			541	-- (WATT)	-- (KELVIN)	-- (CRI)	-- (REFLECTOR DEGREES)

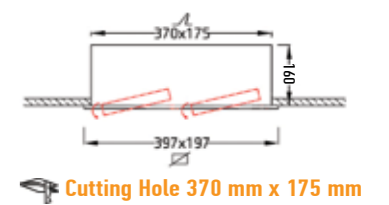


\* Για να δημιουργήσετε τον τελικό κωδικό του προϊόντος που επιθυμείτε, προσθέστε μετά τον αρχικό κωδικό τους πορτοκαλί αριθμούς ή γράμματα που βρίσκονται μέσα στις παρενθέσεις ανάλογα με την επιλογή σας. \*\*\*Διαθέσιμο και σε άλλα χρώματα από το χρωματολόγιο στη σελίδα 10.

## NEW DIAMOND DUBLU COB LED

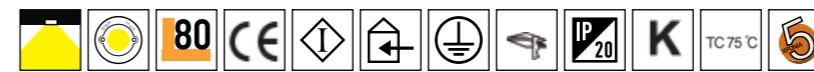


CODE*	WATT	KELVIN	CRI	REFLECTOR DEGREES	LED DRIVER	COLOUR	
542	32,4W (6)	3000K (30)	80 (80)	12° (12)	ON - OFF (C)	WHITE (-01)	
				24° (24)	DALI (D)	BLACK (-03)	
	46,4W (2)		90 (90)	40° (40)	DIM 1 - 10 V (V)	ALUMINUM (-26)	
				60° (60)	PUSH BUTTON (B)	OTHER** (-XX)	
	60,8W (3)	4000K (40)	97 (97)	40° (40)	PHASE CUT (P)	OTHER** (-XX)	
				60° (60)	EMERGENCY (E)		
	98,6W (4)		FINAL CODE				
			542	-- (WATT)	-- (KELVIN)	-- (CRI)	-- (REFLECTOR DEGREES)



\* To create the final product code add after their original prefix the orange numbers or letters, inside the parentheses, according to your choice. \*\*Available in other colours, see page 10.

# COMPOSITIONS



<b>BODY</b>	Die cast aluminium internalspot and steel frame
<b>SOURCE</b>	Chip On Board (COB) LED Module
<b>ELECTRIC EQUIPMENT</b>	Constant Current LED Driver • On/Off • Push Button • Dim 1-10V • Emergency • Dali • Phase Cut
<b>CHARACTERISTICS</b>	CCT 3000K - 4000K • CRI 80 • Chromaticity <3SDCM • Protection degree IP 20 • LOR 91 Power Factor 0,96
<b>UPON REQUEST</b>	Constant Lumen Operation • CCT 2700K & 3500K • CRI 90 & 97
<b>MOTION</b>	Double motion
<b>REGULATION</b>	Manufactured in accordance with the Regulation EN 60598-1 and CE 93/68/EOK

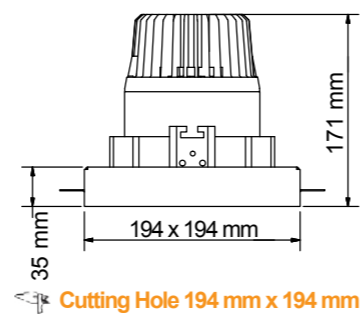
COLOUR TEMPERATURE KELVIN	16,2W @500 mA		23,2W @700 mA		30,4W @900 mA		35,9W @1050 mA		41,6W @1200 mA		49,3W @1400 mA	
	Lm	Lm/W	Lm	Lm/W	Lm	Lm/W	Lm	Lm/W	Lm	Lm/W	Lm	Lm/W
3000K	2854	176	3899	168	4888	161	5596	156	6278	151	7247	147
4000K	3011	186	4115	177	5159	170	5907	165	6628	159	7638	155

\*Luminus flux & power consumption of led. Φωτεινή ροή & κατανάλωση πυρήνα led.

## JOLE UNIC COB LED



CODE*	WATT	KELVIN	CRI	REFLECTOR DEGREES	LED DRIVER	COLOUR		
62	16,2W (16)	3000K (30)	80 (80)	12° (12)	ON - OFF (C)	WHITE (-01)		
	23,2W (24)				DALI (D)	BLACK (-03)		
	30,4W (31)		90 (90)	24° (24)	DIM 1 - 10 V (V)			
	35,9W (36)				PUSH BUTTON (B)	ALUMINUM (-26)		
	41,6W (42)	4000K (40)	97 (97)	40° (40)	PHASE CUT (P)	OTHER** (-XX)		
	49,3W (49)				EMERGENCY (E)			
	FINAL CODE							
	62		-- (WATT)	-- (KELVIN)	-- (CRI)	-- (REFLECTOR DEGREES)	-- (LED DRIVER)	-- (COLOUR)

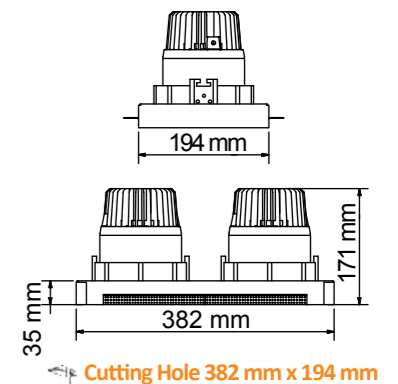


\* Για να δημιουργήσετε τον τελικό κωδικό του προϊόντος που επιθυμείτε, προσθέστε μετά τον αρχικό κωδικό τους πορτοκαλί αριθμούς ή γράμματα που βρίσκονται μέσα στις παρενθέσεις ανάλογα με την επιλογή σας. \*\*\*Διαθέσιμο και σε άλλα χρώματα από το χρωματολόγιο στη σελίδα 10.

## JOLE DUBLU COB LED



CODE*	WATT	KELVIN	CRI	REFLECTOR DEGREES	LED DRIVER	COLOUR		
62	32,4W (32)	3000K (30)	80 (80)	12° (12)	ON - OFF (C)	WHITE (-01)		
	46,4W (44)				DALI (D)	BLACK (-03)		
	60,8W (64)		90 (90)	24° (24)	DIM 1 - 10 V (V)			
	71,8W (70)				PUSH BUTTON (B)	ALUMINUM (-26)		
	83,2W (94)	4000K (40)	97 (97)	40° (40)	PHASE CUT (P)	OTHER** (-XX)		
	98,6W (98)				EMERGENCY (E)			
	FINAL CODE							
	62		-- (WATT)	-- (KELVIN)	-- (CRI)	-- (REFLECTOR DEGREES)	-- (LED DRIVER)	-- (COLOUR)



\* To create the final product code add after their original prefix the orange numbers or letters, inside the parentheses, according to your choice. \*\*Available in other colours, see page 10.

# COMPOSITIONS



**BODY** Die cast aluminium internalspot and steel frame  
**SOURCE** Chip On Board (COB) LED Module • VOSSLOH ActiveLine LED Module • OSRAM PrevaLED Coin 50G1 Module  
**ELECTRIC EQUIPMENT** Constant Current LED Driver • On/Off • Push Button • Dali • Phase Cut  
**CHARACTERISTICS** CCT 3000K - 4000K • CRI 80 • Chromaticity <3SDCM • Protection degree IP 20 • LOR 92  
 Power Factor 0,97  
**UPON REQUEST** CCT 2700K  
**REGULATION** Manufactured in accordance with the Regulation EN 60598-1 and CE 93/68/EOK

## LED VOSSLOH ActiveLine LED Module

COLOUR TEMPERATURE KELVIN	6,2W @350 mA		9,3W @350 mA		11,2W @420 mA	
	Lm	Lm/W	Lm	Lm/W	Lm	Lm/W
3000K	615	99	1200	129	1440	129
4000K	645	104	1252	135	1502	134

\*Luminus flux & power consumption of led. Φωτεινή ροή & κατανάλωση πυρίνα led.

## OSRAM PrevaLED Coin 50G1 Module

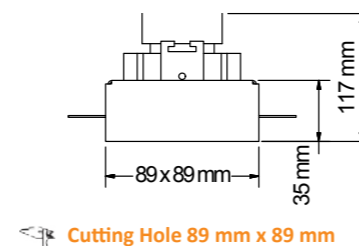
COLOUR TEMPERATURE KELVIN	10,7W @350mA		12,9W @350mA	
	Lm	Lm/W	Lm	Lm/W
3000K	1100	103	1360	105
4000K	1200	112	1430	111

\*Luminus flux & power consumption of led. Φωτεινή ροή & κατανάλωση πυρίνα led.

## MINI JOLE UNIC COB LED

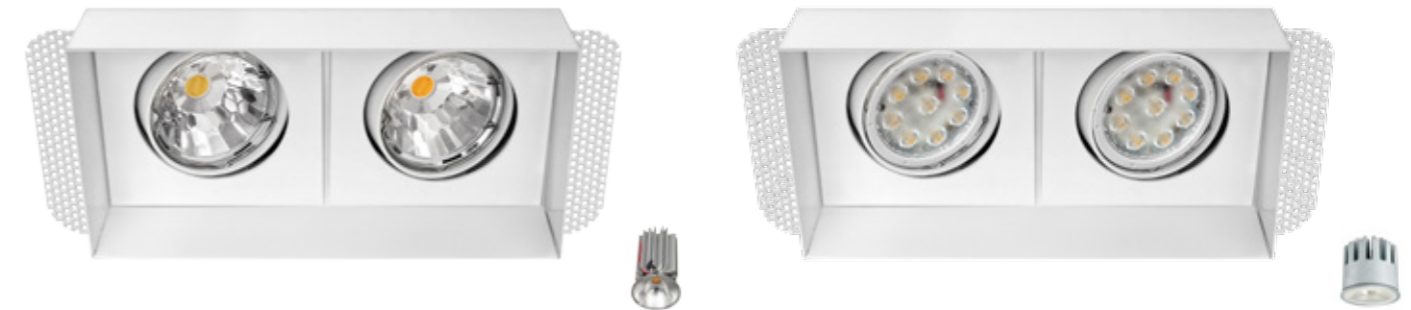


CODE*	WATT	KELVIN	CRI	REFLECTOR DEGREES	LED DRIVER	COLOUR
63	6,2W (6)	3000K (30)	80 (8)	12° (12)	ON - OFF (C)	WHITE (-01)
	9,3W (9)			25° (25)	DALI (D)	BLACK (-03)
	11,2W (11)	4000K (40)		36° (36)	PHASE CUT (P)	OTHER** (-XX)
63	10,7W (981)	3000K (3)	80 (8)	24° (24)	ON - OFF (C)	WHITE (-01)
	12,9W (983)	4000K (4)		40° (40)	DALI (D)	BLACK (-03)
				PHASE CUT (P)	OTHER** (-XX)	
FINAL CODE						
63	---	---	---	---	-	-
	(WATT)	(KELVIN)	(CRI)	(REFLECTOR DEGREES)	(LED DRIVER)	(COLOUR)

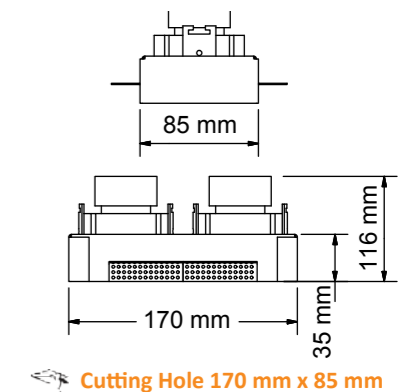


\* Για να δημιουργήσετε τον τελικό κωδικό του προϊόντος που επιθυμείτε, προσθέστε μετά τον αρχικό κωδικό τους πορτοκαλί αριθμούς ή γράμματα που βρίσκονται μέσα στις παρενθέσεις ανάλογα με την επιλογή σας.  
 \*\* Διαθέσιμο και σε άλλα χρώματα από το χρωματολόγιο στη σελίδα 10.

## MINI JOLE DUBLU COB LED

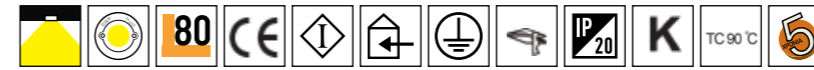


CODE*	WATT	KELVIN	CRI	REFLECTOR DEGREES	LED DRIVER	COLOUR
63	12,4W (12)	3000K (30)	80 (8)	12° (12)	ON - OFF (C)	WHITE (-01)
	18,6W (18)			25° (25)	DALI (D)	BLACK (-03)
	22,4W (22)	4000K (40)		36° (36)	PHASE CUT (P)	OTHER** (-XX)
63	21,4W (81)	3000K (3)	80 (8)	24° (24)	ON - OFF (C)	WHITE (-01)
	25,8W (83)	4000K (4)		40° (40)	DALI (D)	BLACK (-03)
				PHASE CUT (P)	OTHER** (-XX)	
FINAL CODE						
63	---	---	---	---	-	-
	(WATT)	(KELVIN)	(CRI)	(REFLECTOR DEGREES)	(LED DRIVER)	(COLOUR)



\* To create the final product code add after their original prefix the orange numbers or letters, inside the parentheses, according to your choice. \*\* Available in other colours, see page 10.

# COMPOSITIONS

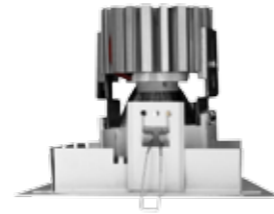


**BODY** Die cast aluminium internalspot and steel frame  
**SOURCE** Chip On Board (COB) LED Module  
**ELECTRIC EQUIPMENT** Constant Current LED Driver • On/Off • Push Button • Dim 1-10V • Emergency • Dali • Phase Cut  
**CHARACTERISTICS** CCT 3000K - 4000K • CRI 80 • Chromaticity <3SDCM • Protection degree IP 20 • LOR 91  
 Power Factor 0,96  
**UPON REQUEST** Constant Lumen Operation • CCT 2700K & 3500K • CRI 90 & 97  
**REGULATION** Manufactured in accordance with the Regulation EN 60598-1 and CE 93/68/EOK

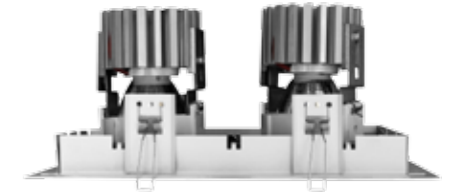
COLOUR TEMPERATURE KELVIN	11,2W @350 mA		16,2W @500 mA		23,2W @700 mA		26,7W @800 mA	
	Lm	Lm/W	Lm	Lm/W	Lm	Lm/W	Lm	Lm/W
3000K	2027	181	2854	176	3899	168	4400	165
4000K	2139	191	3011	186	4115	177	4644	174

\*Luminus flux & power consumption of led. Φωτεινή ροή & κατανάλωση πυρήνα led.

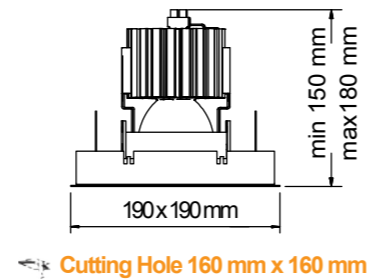
## MIDI CIRCO UNIC COB LED



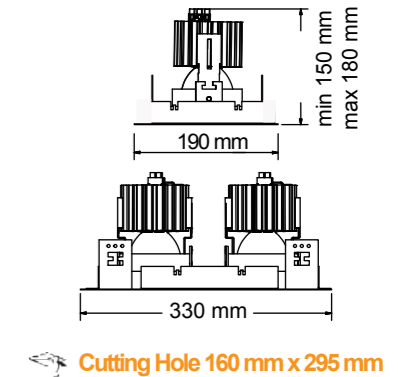
## MIDI CIRCO DUBLU COB LED



CODE*	WATT	KELVIN	CRI	REFLECTOR DEGREES	LED DRIVER	COLOUR	
89	11,2W (13)	3000K (30)	80 (80)	12° (12)	ON - OFF (C)	WHITE (-01)	
					DALI (D)	BLACK (-03)	
	16,2W (16)	4000K (40)	90 (90)	24° (24)	DIM 1 - 10 V (V)	ALUMINUM (-26)	
					PUSH BUTTON (B)	OTHER** (-XX)	
	23,2W (24)	97 (97)	40° (40)	PHASE CUT (P)			
	26,7W (30)			EMERGENCY (E)			
	FINAL CODE						
	89	-- (WATT)	-- (KELVIN)	-- (CRI)	-- (REFLECTOR DEGREES)	-- (LED DRIVER)	-- (COLOUR)



CODE*	WATT	KELVIN	CRI	REFLECTOR DEGREES	LED DRIVER	COLOUR	
90	22,4W (22)	3000K (30)	80 (80)	12° (12)	ON - OFF (C)	WHITE (-01)	
					DALI (D)	BLACK (-03)	
	32,4W (32)	4000K (40)	90 (90)	24° (24)	DIM 1 - 10 V (V)	ALUMINUM (-26)	
					PUSH BUTTON (B)	OTHER** (-XX)	
	46,4W (48)	97 (97)	40° (40)	PHASE CUT (P)			
	53,4W (60)			EMERGENCY (E)			
	FINAL CODE						
	90	-- (WATT)	-- (KELVIN)	-- (CRI)	-- (REFLECTOR DEGREES)	-- (LED DRIVER)	-- (COLOUR)

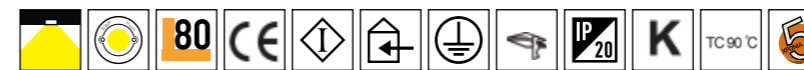


\* Για να δημιουργήσετε τον τελικό κωδικό του προϊόντος που επιθυμείτε, προσθέστε μετά τον αρχικό κωδικό τους πορτοκαλί αριθμούς ή γράμματα που βρίσκονται μέσα στις παρενθέσεις ανάλογα με την επιλογή σας. \*\*\*Διαθέσιμο και σε άλλα χρώματα από το χρωματολόγιο στη σελίδα 10.

\* To create the final product code add after their original prefix the orange numbers or letters, inside the parentheses, according to your choice. \*\*Available in other colours, see page 10.



# COMPOSITIONS



**BODY** Die cast aluminium internalspot and steel frame  
**SOURCE** Chip On Board (COB) LED Module • VOSSL0H ActiveLine LED Module • OSRAM PrevaLED Coin 50G1 Module  
**ELECTRIC EQUIPMENT** Constant Current LED Driver • On/Off • Push Button • Dali • Phase Cut  
**CHARACTERISTICS** CCT 3000K - 4000K • CRI 80 • Chromaticity <3SDCM • Protection degree IP 20 • LOR 92  
 Power Factor 0,97  
**UPON REQUEST** CCT 2700K  
**REGULATION** Manufactured in accordance with the Regulation EN 60598-1 and CE 93/68/EOK

## LED VOSSL0H ActiveLine LED Module

COLOUR TEMPERATURE KELVIN	6,2W @350 mA		9,3W @350 mA		11,2W @420 mA	
	Lm	Lm/W	Lm	Lm/W	Lm	Lm/W
3000K	615	99	1200	129	1440	129
4000K	645	104	1252	135	1502	134

\*Luminus flux & power consumption of led. Φωτεινή ροή & κατανάλωση πυρίνα led.



## OSRAM PrevaLED Coin 50G1 Module

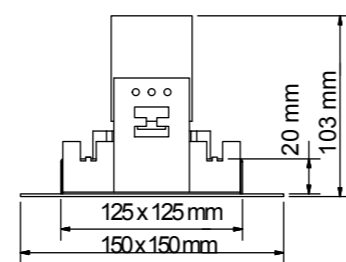
COLOUR TEMPERATURE KELVIN	10,7W @350mA		12,8W @350mA	
	Lm	Lm/W	Lm	Lm/W
3000K	1100	103	1360	105
4000K	1200	112	1430	111

\*Luminus flux & power consumption of led. Φωτεινή ροή & κατανάλωση πυρίνα led.

## MINI CIRCO UNIC COB LED



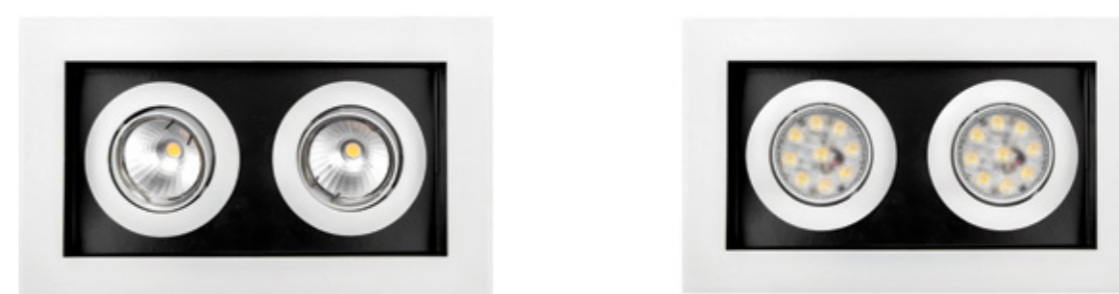
CODE*	WATT	KELVIN	CRI	REFLECTOR DEGREES	LED DRIVER	COLOUR
 44	6,2W (6)	3000K (30)	80 (8)	12° (12)	ON - OFF (C)	WHITE (-01)
	9,3W (9)			25° (25)	DALI (D)	BLACK (-03)
	11,2W (11)	4000K (40)		36° (36)	PHASE CUT (P)	OTHER** (-XX)
 44	10,7W (981)	3000K (3)	80 (8)	24° (24)	ON - OFF (C)	WHITE (-01)
	12,9W (983)	4000K (4)		40° (40)	DALI (D)	BLACK (-03)
					PHASE CUT (P)	OTHER** (-XX)
<b>FINAL CODE</b>						
44	---	--	--	--	-	-
	(WATT)	(KELVIN)	(CRI)	(REFLECTOR DEGREES)	(LED DRIVER)	(COLOUR)





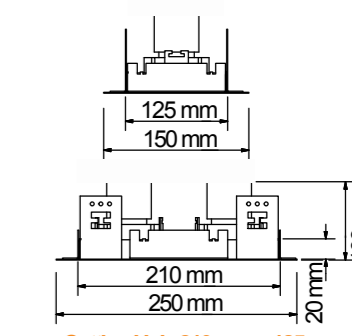
Cutting Hole 125 mm x 125 mm

\* Για να δημιουργήσετε τον τελικό κωδικό του προϊόντος που επιθυμείτε, προσθέστε μετά τον αρχικό κωδικό τους πορτοκαλί αριθμούς ή γράμματα που βρίσκονται μέσα στις παρενθέσεις ανάλογα με την επιλογή σας.  
 \*\* Διαθέσιμο και σε άλλα χρώματα από το χρωματολόγιο στη σελίδα 10.

## MINI CIRCO DUBLU COB LED



CODE*	WATT	KELVIN	CRI	REFLECTOR DEGREES	LED DRIVER	COLOUR
 44	12,4W (12)	3000K (30)	80 (8)	12° (12)	ON - OFF (C)	WHITE (-01)
	18,6W (18)			25° (25)	DALI (D)	BLACK (-03)
	22,4W (22)	4000K (40)		36° (36)	PHASE CUT (P)	OTHER** (-XX)
 44	21,4W (81)	3000K (3)	80 (8)	24° (24)	ON - OFF (C)	WHITE (-01)
	25,8W (83)	4000K (4)		40° (40)	DALI (D)	BLACK (-03)
					PHASE CUT (P)	OTHER** (-XX)
<b>FINAL CODE</b>						
44	---	--	--	--	-	-
	(WATT)	(KELVIN)	(CRI)	(REFLECTOR DEGREES)	(LED DRIVER)	(COLOUR)



Cutting Hole 210 mm x 125 mm

\* To create the final product code add after their original prefix the orange numbers or letters, inside the parentheses, according to your choice. \*\* Available in other colours, see page 10.

# COMPOSITIONS



**BODY** Die cast aluminium internalspot and steel frame  
**SOURCE** OSRAM CUBE AC LED Module230 V (ON BOARD)  
**ELECTRIC EQUIPMENT** On/Off • Push Button • Dali  
**CHARACTERISTICS** CCT 3000K - 4000K • CRI 80 • Protection degree IP 20 • LOR 92 • Power Factor 0,97  
**REGULATION** Manufactured in accordance with the Regulation EN 60598-1 and CE 93/68/EOK

COLOUR TEMPERATURE KELVIN	18,8W	30,4W
	Lm	Lm
3000K	2000	3000
4000K	2000	3000

\*Luminus flux & power consumption of led. Φωτεινή ροή & κατανάλωση πυρήνα led.

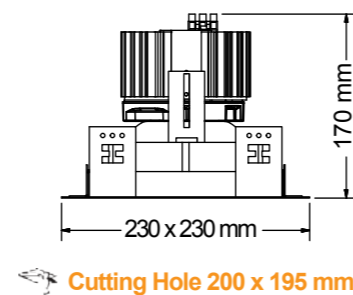
## CIRCO UNIC AC CUBE LED



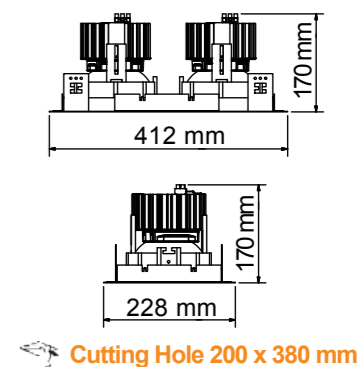
## CIRCO DUBLU AC CUBE LED



CODE*	WATT	KELVIN	CRI	REFLECTOR DEGREES	LED DRIVER	COLOUR
85	18,8W (20)	3000K (30)	80 (80)	110° (110)	ON - OFF (C)	WHITE (-01)
						BLACK (-03)
	30,4W (30)	4000K (40)				ALUMINUM (-26)
						OTHER** (-XX)
FINAL CODE						
85	-- (WATT)	-- (KELVIN)	-- (CRI)	-- (REFLECTOR DEGREES)	-- (LED DRIVER)	-- (COLOUR)



CODE*	WATT	KELVIN	CRI	REFLECTOR DEGREES	LED DRIVER	COLOUR
85	37,6W (40)	3000K (30)	80 (80)	110° (110)	ON - OFF (C)	WHITE (-01)
						BLACK (-03)
	60,8W (60)	4000K (40)				ALUMINUM (-26)
						OTHER** (-XX)
FINAL CODE						
85	-- (WATT)	-- (KELVIN)	-- (CRI)	-- (REFLECTOR DEGREES)	-- (LED DRIVER)	-- (COLOUR)



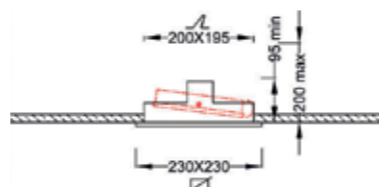
\* Για να δημιουργήσετε τον τελικό κωδικό του προϊόντος που επιθυμείτε, προσθέστε μετά τον αρχικό κωδικό τους πορτοκαλί αριθμούς ή γράμματα που βρίσκονται μέσα στις παρενθέσεις ανάλογα με την επιλογή σας. \*\*\*Διαθέσιμο και σε άλλα χρώματα από το χρωματολόγιο στη σελίδα 10.

\* To create the final product code add after their original prefix the orange numbers or letters, inside the parentheses, according to your choice. \*\*Available in other colours, see page 10.

## COMPOSITIONS

<b>BODY</b>	Die cast aluminium internalspot and steel frame
<b>LAMPHOLDER</b>	GU53 • GU10 • E27
<b>DESCRIPTION</b>	Spotlight inside made of die cast aluminium with the ability to rotate 45 degrees
<b>REGULATION</b>	Manufactured in accordance with the Regulation EN 60598-1 and CE 93/68/EOK

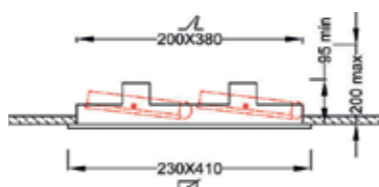
### CIRCO UNIC



Cutting Hole 200 mm x 195 mm

CODE*	DESCRIPTION
300-12111/1	R111-GU53
300-12075/1	ES111-GU10
300-12030/1	PAR 30-E27

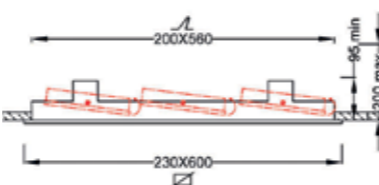
### CIRCO DUBLU



Cutting Hole 200 mm x 380 mm

CODE*	DESCRIPTION
300-12111/2	R111-GU53
300-12075/2	ES111-GU10
300-12030/2	PAR 30-E27

### CIRCO TRIPLU



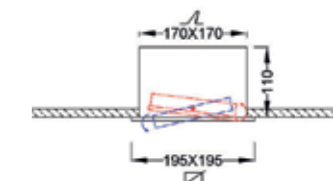
Cutting Hole 200 mm x 560 mm

CODE*	DESCRIPTION
300-12111/3	R111-GU53
300-12075/3	ES111-GU10
300-12030/3	PAR 30-E27



<b>BODY</b>	Die cast aluminium internalspot and steel frame
<b>LAMPHOLDER</b>	GU53 • GU10 • E27
<b>DESCRIPTION</b>	Spotlight inside made of die cast aluminium with the ability to double rotation
<b>REGULATION</b>	Manufactured in accordance with the Regulation EN 60598-1 and CE 93/68/EOK

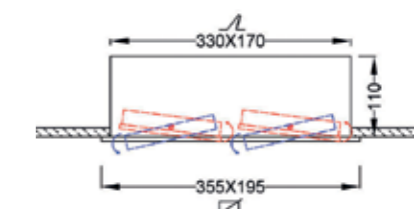
### STEALTH UNIC



Cutting Hole 170 mm x 170 mm

CODE*	DESCRIPTION
300-22111/1	R111-GU53
300-22175/1	ES111-GU10
300-22235/1	PAR 30-E27

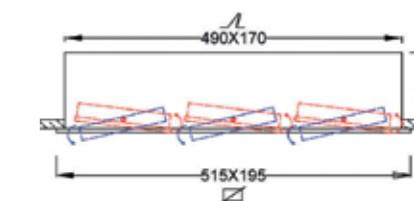
### STEALTH DUBLU



Cutting Hole 330 mm x 170 mm

CODE*	DESCRIPTION
300-22111/2	R111-GU53
300-22175/2	ES111-GU10
300-22235/2	PAR 30-E27

### STEALTH TRIPLU



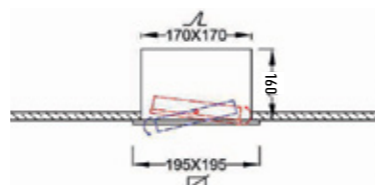
Cutting Hole 490 mm x 170 mm

CODE*	DESCRIPTION
300-22111/3	R111-GU53
300-22175/3	ES111-GU10
300-22235/3	PAR 30-E27

## COMPOSITIONS

<b>BODY</b>	Die cast aluminium internalspot and steel frame
<b>LAMPHOLDER</b>	GU53 • GU10 • E27
<b>DESCRIPTION</b>	Spotlight inside made of die cast aluminium with the ability to double rotation
<b>REGULATION</b>	Manufactured in accordance with the Regulation EN 60598-1 and CE 93/68/EOK

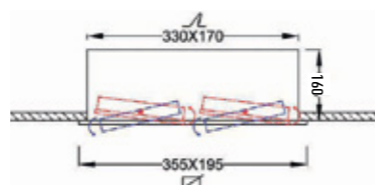
## DIAMOND UNIC



Cutting Hole 175 mm x 175 mm

CODE*	DESCRIPTION
300-32111/1	R111-GU53
300-32175/1	ES111-GU10
300-32235/1	PAR 30-E27

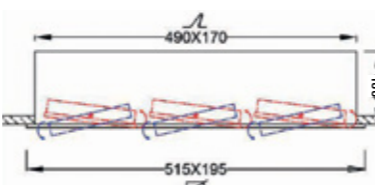
## DIAMOND DUBLU



Cutting Hole 330 mm x 175 mm

CODE*	DESCRIPTION
300-32111/2	R111-GU53
300-32175/2	ES111-GU10
300-32235/2	PAR 30-E27

## DIAMOND TRIPLU



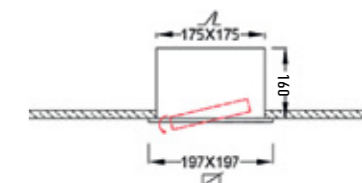
Cutting Hole 490 mm x 175 mm

CODE*	DESCRIPTION
300-32111/3	R111-GU53
300-32175/3	ES111-GU10
300-32235/3	PAR 30-E27



<b>BODY</b>	Die cast aluminium internalspot and steel frame
<b>LAMPHOLDER</b>	GU53 • GU10 • E27
<b>DESCRIPTION</b>	Spotlight inside made of die cast aluminium with the ability to rotate 45 degrees
<b>REGULATION</b>	Manufactured in accordance with the Regulation EN 60598-1 and CE 93/68/EOK

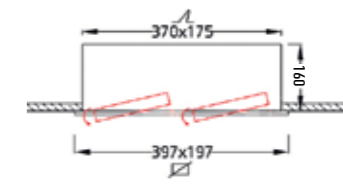
## NEW DIAMOND UNIC



Cutting Hole 175 mm x 175 mm

CODE*	DESCRIPTION
30111/1	R111-GU53
30175/1	ES111-GU10
30235/1	PAR 30-E27

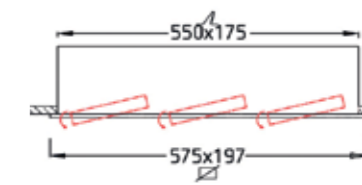
## NEW DIAMOND DUBLU



Cutting Hole 370 mm x 175 mm

CODE*	DESCRIPTION
30111/2	R111-GU53
30175/2	ES111-GU10
30235/2	PAR 30-E27

## NEW DIAMOND TRIPLU



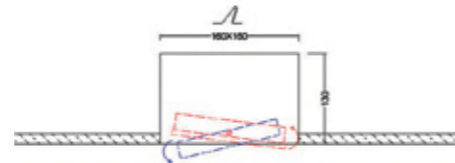
Cutting Hole 550 mm x 175 mm

CODE*	DESCRIPTION
30111/3	R111-GU53
30175/3	ES111-GU10
30235/3	PAR 30-E27

## COMPOSITIONS

<b>BODY</b>	Die cast aluminium internalspot and steel frame
<b>LAMPHOLDER</b>	GU53 • GU10 • E27
<b>DESCRIPTION</b>	Spotlight inside made of die cast aluminium with the ability to double rotation
<b>REGULATION</b>	Manufactured in accordance with the Regulation EN 60598-1 and CE 93/68/EOK

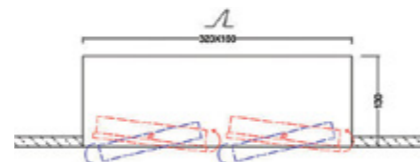
### JOLE UNIC



Cutting Hole 160 mm x 160 mm

CODE*	DESCRIPTION
62111/1	R111-GU53
62175/1	ES111-GU10
62235/1	PAR 30-E27

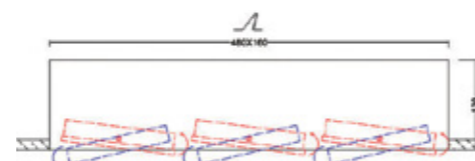
### JOLE DUBLU



Cutting Hole 320 mm x 160 mm

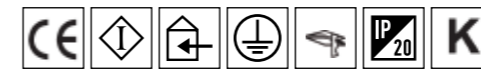
CODE*	DESCRIPTION
62111/2	R111-GU53
62175/2	ES111-GU10
62235/2	PAR 30-E27

### JOLE TRIPLU



Cutting Hole 480 mm x 160 mm

CODE*	DESCRIPTION
62111/3	R111-GU53
62175/3	ES111-GU10
62235/3	PAR 30-E27



<b>BODY</b>	Die cast aluminium internalspot and steel frame
<b>LAMPHOLDER</b>	GU10
<b>DESCRIPTION</b>	Spotlight inside made of die cast aluminium with the ability to rotate 45 degrees
<b>REGULATION</b>	Manufactured in accordance with the Regulation EN 60598-1 and CE 93/68/EOK

### MINI CIRCO UNIC



Cutting Hole 125 mm x 125 mm

CODE*	DESCRIPTION
300-13150/1	GU10

### MINI CIRCO DUBLU



Cutting Hole 125 mm x 210 mm

CODE*	DESCRIPTION
300-13150/2	GU10

### MINI CIRCO TRIPLU



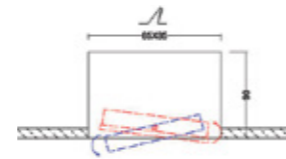
Cutting Hole 125 mm x 315 mm

CODE*	DESCRIPTION
300-13150/3	GU10

## COMPOSITIONS

<b>BODY</b>	Die cast aluminium internalspot and steel frame
<b>LAMPHOLDER</b>	E27
<b>DESCRIPTION</b>	Spotlight inside made of die cast aluminium with the ability 45 degrees rotation
<b>REGULATION</b>	Manufactured in accordance with the Regulation EN 60598-1 and CE 93/68/EOK

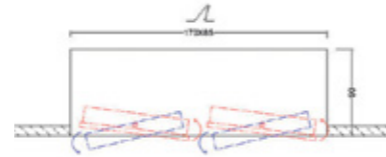
### MINI JOLE UNIC



 Cutting Hole 85 mm x 85 mm

CODE*	DESCRIPTION
63150/1	GU10

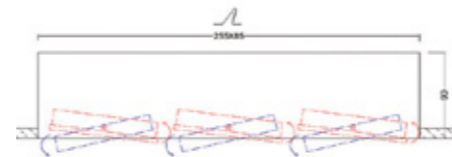
### MINI JOLE DUBLU



 Cutting Hole 170 mm x 85 mm

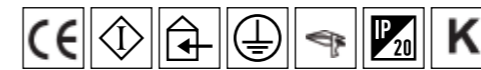
CODE*	DESCRIPTION
63150/2	GU10

### MINI JOLE TRIPLU



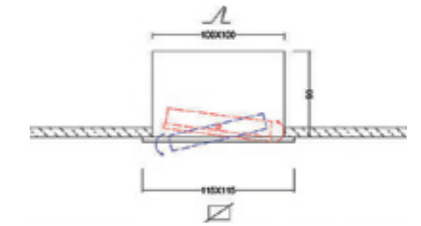
 Cutting Hole 255 mm x 85 mm

CODE*	DESCRIPTION
63150/3	GU10



<b>BODY</b>	Die cast aluminium internalspot and steel frame
<b>LAMPHOLDER</b>	GU10
<b>DESCRIPTION</b>	Spotlight inside made of die cast aluminium with the ability to double rotation
<b>REGULATION</b>	Manufactured in accordance with the Regulation EN 60598-1 and CE 93/68/EOK

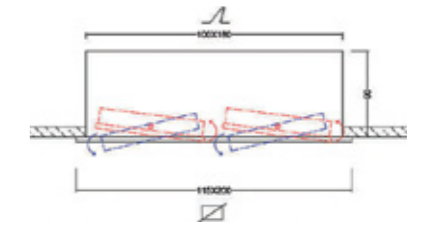
### MINI STEALTH UNIC



 Cutting Hole 85 mm x 85 mm

CODE*	DESCRIPTION
300-23150/1	GU10

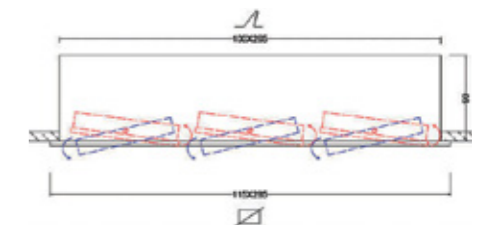
### MINI STEALTH DUBLU



 Cutting Hole 100 mm x 180 mm

CODE*	DESCRIPTION
300-23150/2	GU10

### MINI STEALTH TRIPLU



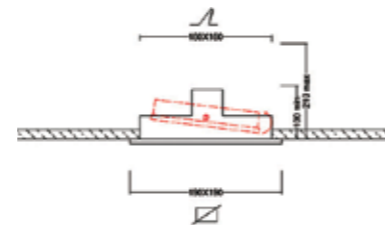
 Cutting Hole 100 mm x 265 mm

CODE*	DESCRIPTION
300-23150/3	GU10

## COMPOSITIONS

<b>BODY</b>	Die cast aluminium internalspot and steel frame
<b>LAMPHOLDER</b>	E27
<b>DESCRIPTION</b>	Spotlight inside made of die cast aluminium with the ability 45 degrees rotation
<b>REGULATION</b>	Manufactured in accordance with the Regulation EN 60598-1 and CE 93/68/EOK

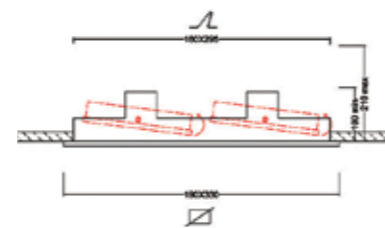
### MIDI CIRCO UNIC



Cutting Hole 160 mm x 160 mm

CODE*	DESCRIPTION
24021/1	E27

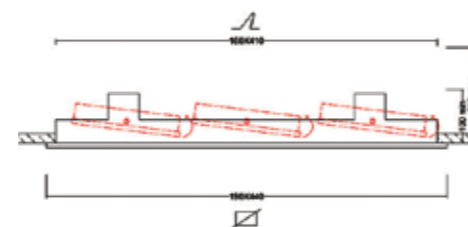
### MIDI CIRCO DUBLU



Cutting Hole 160 mm x 295 mm

CODE*	DESCRIPTION
24021/2	E27

### MIDI CIRCO TRIPLU



Cutting Hole 160 mm x 410 mm

CODE*	DESCRIPTION
24021/3	E27



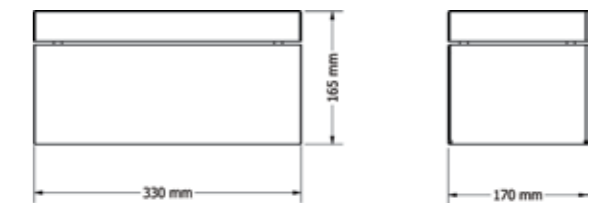
<b>BODY</b>	Die cast aluminium internalspot and steel frame
<b>LAMPHOLDER</b>	R111
<b>DESCRIPTION</b>	Spotlight inside made of die cast aluminium with the ability of double rotation
<b>REGULATION</b>	Manufactured in accordance with the Regulation EN 60598-1 and CE 93/68/EOK - Build in Driver

### BILL UNIC



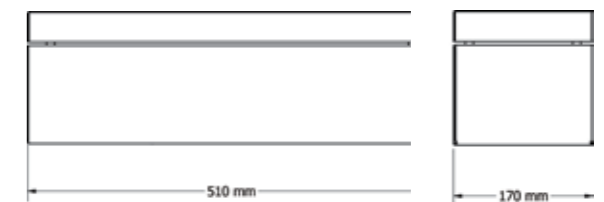
CODE*	DESCRIPTION
72111/1	R111

### BILL DUBLU



CODE*	DESCRIPTION
72111/2	R111

### BILL TRIPLU



CODE*	DESCRIPTION
72111/3	R111

## COMPOSITIONS

<b>BODY</b>	Die cast aluminium internalspot and steel frame
<b>LAMPHOLDER</b>	GU10
<b>DESCRIPTION</b>	Spotlight inside made of die cast aluminium with the ability of double rotation
<b>REGULATION</b>	Manufactured in accordance with the Regulation EN 60598-1 and CE 93/68/EOK

### MINI BILL UNIC



External dimension 10x10 cm, height 11,5 cm

CODE*	DESCRIPTION
73250/1	GU10

### MINI BILL DUBLU



External dimension 19x10 cm, height 11,5 cm

CODE*	DESCRIPTION
73250/2	GU10

### MINI BILL TRIPLU



External dimension 30x10 cm, height 11,5 cm

CODE*	DESCRIPTION
73250/3	GU10



<b>BODY</b>	Die cast aluminium internalspot and steel frame
<b>LAMPHOLDER</b>	GU53 • GU10 • E27
<b>DESCRIPTION</b>	Spotlight inside made of die cast aluminium with the ability of double rotation
<b>REGULATION</b>	Manufactured in accordance with the Regulation EN 60598-1 and CE 93/68/EOK
<b>AVAILABLE</b>	Pendant (prefix K) • Build in driver in the profile

### STRUCTURA UNIC



Dimensions: 120 mm x 170 mm

CODE*	DESCRIPTION
300-52111/1	R111-GU53
300-52075/1	ES111-GU10
300-52030/1	PAR 30-E27

### STRUCTURA TRIPLU



Dimensions: 230 mm x 495 mm

CODE*	DESCRIPTION
300-52111/3	R111-GU53
300-52075/3	ES111-GU10
300-52030/3	PAR 30-E27

### STRUCTURA DUBLU



Dimensions: 230 mm x 320 mm

CODE*	DESCRIPTION
300-52111/2	R111-GU53
300-52075/2	ES111-GU10
300-52030/2	PAR 30-E27

### STRUCTURA QUATRO

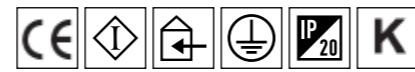


Dimensions: 230 mm x 650 mm

CODE*	DESCRIPTION
300-52111/4	R111-GU53
300-52075/4	ES111-GU10
300-52030/4	PAR 30-E27



## COMPOSITIONS



<b>BODY</b>	Die cast aluminium internalspot and steel frame
<b>LAMPHOLDER</b>	GU10
<b>DESCRIPTION</b>	Spotlight inside made of die cast aluminium with the ability of double rotation
<b>REGULATION</b>	Manufactured in accordance with the Regulation EN 60598-1 and CE 93/68/EOK
<b>AVAILABLE</b>	<b>Pendant (prefix K)</b> • Build in driver in the profile

## MINI STRUCTURA TRIPLU



Dimensions: 290 mm x 155 mm

CODE*	DESCRIPTION
53150/3	GU10

## MINI STRUCTURA QUATRO



Dimensions: 380 mm x 155 mm

CODE*	DESCRIPTION
53150/4	GU10

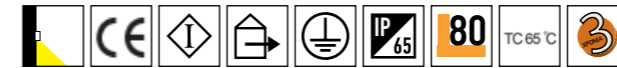


# OUTDOOR WALL





# OUTDOOR WALL



**BODY** Aluminium  
**SOURCE** OSRAM AC PRO LED Module 230 V (ON BOARD)  
**REGULATION** Manufactured in accordance with EN 60598-1 and CE 93/68/EOK  
**PROTECTION DEGREE AGAINST MOISTURE AND DUST** IP65

KELVIN	40 W		20 W	
	Lm	Lm/W	Lm	Lm/W
3000	3632	91	1816	91
4000	3742	94	1871	94

\*Luminous flux & power consumption of led. Φωτεινή ροή & κατανάλωση πυρήνα led.

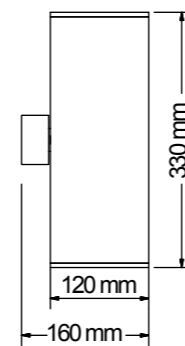
## BOSS UP DOWN LED



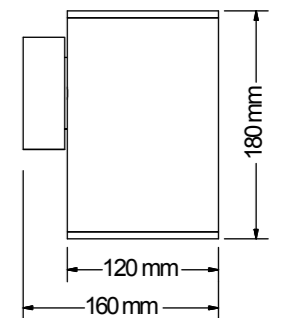
## BOSS DOWN LED



CODE*	WATT	KELVIN	CRI	REFLECTOR DEGREES	LED DRIVER	COLOUR
74	40W (40)	3000K (30)	80 (80)	12° (12)	ON - OFF (C)	WHITE (-01)
				24° (24)		BLACK (-03)
		4000K (40)		40° (40)		ALUMINUM (-26)
				60° (60)		OTHER*** (-XX)
FINAL CODE						
74	-- (WATT)	-- (KELVIN)	-- (CRI)	-- (REFLECTOR DEGREES)	-- (LED DRIVER)	-- (COLOUR)



CODE*	WATT	KELVIN	CRI	REFLECTOR DEGREES	LED DRIVER	COLOUR
74	20W (20)	3000K (30)	80 (80)	12° (12)	ON - OFF (C)	WHITE (-01)
				24° (24)		BLACK (-03)
		4000K (40)		40° (40)		ALUMINUM (-26)
				60° (60)		OTHER*** (-XX)
FINAL CODE						
74	-- (WATT)	-- (KELVIN)	-- (CRI)	-- (REFLECTOR DEGREES)	-- (LED DRIVER)	-- (COLOUR)



\* Για να δημιουργήσετε τον τελικό κωδικό του προϊόντος που επιθυμείτε, προσθέστε μετά τον αρχικό κωδικό τους πορτοκαλί αριθμούς ή γράμματα που βρίσκονται μέσα στις παρενθέσεις ανάλογα με την επιλογή σας. \*\*\*Διαθέσιμο και σε άλλα χρώματα από το χρωματολόγιο στη σελίδα 10.

\* To create the final product code add after their original prefix the orange numbers or letters, inside the parentheses, according to your choice. \*\*Available in other colours, see page 10.

## OUTDOOR WALL



<b>BODY</b>	Aluminium
<b>SOURCE</b>	OSRAM AC PRO LED Module 230 V (ON BOARD)
<b>REGULATION</b>	Manufactured in accordance with EN 60598-1 and CE 93/68/EOK
<b>PROTECTION DEGREE AGAINST MOISTURE AND DUST</b>	IP65

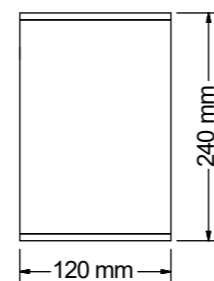
## BOSS DOWN LED MOUNTED ON CEILING



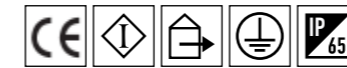
KELVIN	20 W	
	Lm	Lm/W
3000	1816	91
4000	1871	94

\*Luminous flux & power consumption of led. Φωτεινή ροή & κατανάλωση πυρήνα led.

CODE*	WATT	KELVIN	CRI	REFLECTOR DEGREES	LED DRIVER	COLOUR
74A	20W (40)	3000K (30)	80 (80)	12° (12)	ON - OFF (C)	WHITE (-01)
				24° (24)		BLACK (-03)
	33,3W (30)	4000K (40)		40° (40)		ALUMINUM (-26)
				60° (60)		OTHER*** (-XX)
FINAL CODE						
74A	-- (WATT)	-- (KELVIN)	-- (CRI)	-- (REFLECTOR DEGREES)	-- (LED DRIVER)	-- (COLOUR)

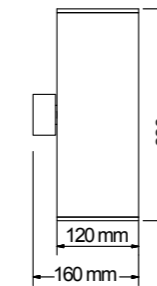


\* Για να δημιουργήσετε τον τελικό κωδικό του προϊόντος που επιθυμείτε, προσθέστε μετά τον αρχικό κωδικό τους πορτοκαλί αριθμούς ή γράμματα που βρίσκονται μέσα στις παρενθέσεις ανάλογα με την επιλογή σας. \*\*\*Διαθέσιμο και σε άλλα χρώματα από το χρωματολόγιο στη σελίδα 10.



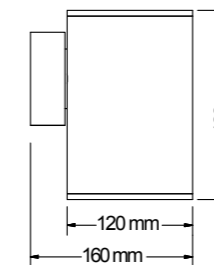
<b>BODY</b>	Aluminium profile
<b>LAMPHOLDER</b>	R111 • ES11 • PAR 30 • E27
<b>REGULATION</b>	Manufactured in accordance with EN 60598-1 and CE 93/68/EOK
<b>PROTECTION DEGREE AGAINST MOISTURE AND DUST</b>	IP65

## BOSS UP DOWN



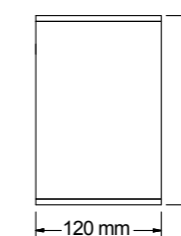
CODE	DESCRIPTION	LAMPHOLDER
70033	BOSS UP DOWN R111	R111
70133	BOSS UP DOWN GU10	GU10
70233	BOSS UP DOWN MOUNT ON CEILING E27 PAR 30	E27 PAR 30

## BOSS DOWN



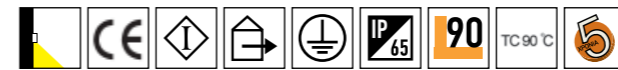
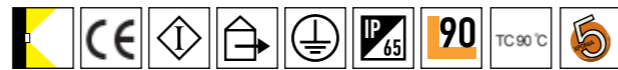
CODE	DESCRIPTION	LAMPHOLDER
71033	BOSS DOWN R111	R111
71133	BOSS DOWN GU10	ES11
71233	BOSS DOWN E27 PAR 30	E27 PAR 30

## BOSS MOUNTED ON CEILING



CODE	DESCRIPTION	LAMPHOLDER
70033/A	BOSS MOUNTED ON CEILING	R111
71133/A	BOSS MOUNTED ON CEILING	ES11
71233/A	BOSS MOUNTED ON CEILING	E27 PAR 30

# OUTDOOR WALL



**BODY** Die cast aluminium  
**SOURCE** Chip On Board (COB) LED VOSSL0H ActiveLine LED Module • OSRAM PrevaLED Coin 50g2 Module (ON BOARD)  
**REGULATION** Manufactured in accordance with EN 60598-1 and CE 93/68/EOK  
**PROTECTION DEGREE AGAINST MOISTURE AND DUST** IP65

## LED VOSSL0H ActiveLine LED Module

KELVIN	6,2W @350 mA	
	Lm	Lm/W
3000	615	99
4000	645	104

\*Luminus flux & power consumption of led. Φωτεινή ροή & κατανάλωση πυρήνα led.

## OSRAM PrevaLED Coin 50G2 Module

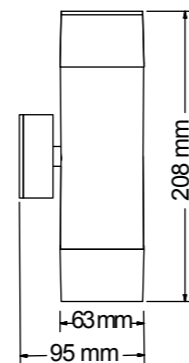
KELVIN	9,2 W	
	Lm	Lm/W
3000	800	87
4000	830	90

\*Luminus flux & power consumption of led. Φωτεινή ροή & κατανάλωση πυρήνα led.

# WALL UP DOWN LED



CODE*	WATT	KELVIN	CRI	REFLECTOR DEGREES	LED DRIVER	COLOUR
71	6,2W (12)	3000K (30)	80 (80)	12° (12)	ON - OFF (C)	WHITE (-01)
		4000K (40)		24° (24)		BLACK (-03)
				40° (40)		OTHER** (-XX)
71	9,2W (18)	3000K (30)	80 (80)	12° (12)	ON - OFF (C)	WHITE (-01)
		4000K (40)		24° (24)		BLACK (-03)
				40° (40)		OTHER** (-XX)
				60° (60)		
FINAL CODE						
71	---	--	--	--	-	- --
	(WATT)	(KELVIN)	(CRI)	(REFLECTOR DEGREES)	(LED DRIVER)	(COLOUR)

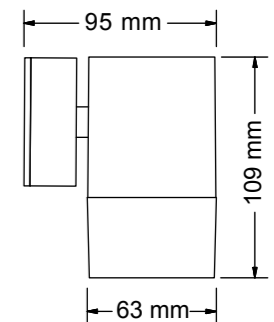


\* Για να δημιουργήσετε τον τελικό κωδικό του προϊόντος που επιθυμείτε, προσθέστε μετά τον αρχικό κωδικό τους πορτοκαλί αριθμούς ή γράμματα που βρίσκονται μέσα στις παρενθέσεις ανάλογα με την επιλογή σας.  
 \*\* Διαθέσιμο και σε άλλα χρώματα από το χρωματολόγιο στη σελίδα 10.

# WALL DOWN LED



CODE*	WATT	KELVIN	CRI	REFLECTOR DEGREES	LED DRIVER	COLOUR
71	6,2W (06)	3000K (30)	80 (80)	12° (12)	ON - OFF (C)	WHITE (-01)
		4000K (40)		24° (24)		BLACK (-03)
				40° (40)		OTHER** (-XX)
71	9,2W (09)	3000K (3)	80 (80)	12° (12)	ON - OFF (C)	WHITE (-01)
		4000K (4)		24° (24)		BLACK (-03)
				40° (40)		OTHER** (-XX)
				60° (60)		
FINAL CODE						
71	---	--	--	--	-	- --
	(WATT)	(KELVIN)	(CRI)	(REFLECTOR DEGREES)	(LED DRIVER)	(COLOUR)



\* To create the final product code add after their original prefix the orange numbers or letters, inside the parentheses, according to your choice. \*\* Available in other colours, see page 10.

## OUTDOOR WALL

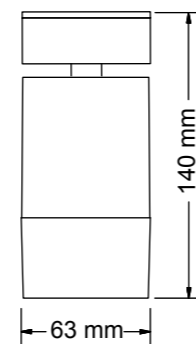


<b>BODY</b>	Die cast aluminium
<b>SOURCE</b>	Chip On Board (COB) LED VOSSLOH ActiveLine LED Module • OSRAM PrevaLED Coin 50g2 Module (ON BOARD)
<b>REGULATION</b>	Manufactured in accordance with EN 60598-1 and CE 93/68/EOK
<b>PROTECTION DEGREE AGAINST MOISTURE AND DUST</b>	IP65

## WALL DOWN MOUNTED ON CEILING LED



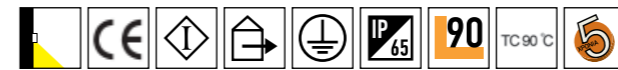
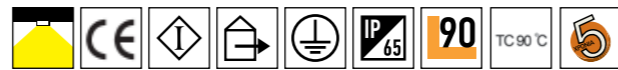
CODE*	WATT	KELVIN	CRI	REFLECTOR DEGREES	LED DRIVER	COLOUR
71A	6,2W (06)	3000K (30)	80 (80)	12° (12)	ON - OFF (C)	WHITE (-01)
		4000K (40)		24° (24)		BLACK (-03)
				40° (40)		OTHER** (-XX)
71A	9,2W (09)	3000K (30)	80 (80)	12° (12)	ON - OFF (C)	WHITE (-01)
		4000K (40)		24° (24)		BLACK (-03)
				40° (40)		OTHER** (-XX)
				60° (60)		OTHER** (-XX)
FINAL CODE						
71A	---	--	--	--	-	- --
	(WATT)	(KELVIN)	(CRI)	(REFLECTOR DEGREES)	(LED DRIVER)	(COLOUR)



\* Για να δημιουργήσετε τον τελικό κωδικό του προϊόντος που επιθυμείτε, προσθέστε μετά τον αρχικό κωδικό τους πορτοκαλί αριθμούς ή γράμματα που βρίσκονται μέσα στις παρενθέσεις ανάλογα με την επιλογή σας.

\*\* Διαθέσιμο και σε άλλα χρώματα από το χρωματολόγιο στη σελίδα 10.

# OUTDOOR WALL



**BODY** Die cast aluminium  
**SOURCE** Chip On Board (COB) LED VOSSL0H ActiveLine LED Module • OSRAM PrevaLED Coin 50g2 Module  
**REGULATION** Manufactured in accordance with EN 60598-1 and CE 93/68/EOK  
**PROTECTION DEGREE AGAINST MOISTURE AND DUST** IP65

## LED VOSSL0H ActiveLine LED Module

KELVIN	6,2W @350 mA	
	Lm	Lm/W
3000	615	99
4000	645	104

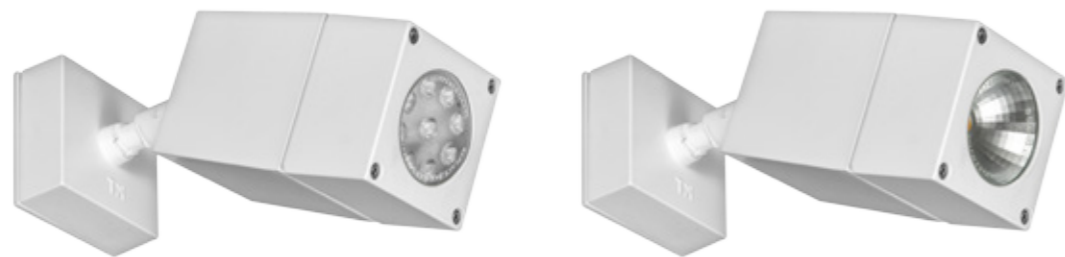
\*Luminus flux & power consumption of led. Φωτεινή ροή & κατανάλωση πυρίνα led.

## OSRAM PrevaLED Coin 50G2 Module

KELVIN	9,2 W	
	Lm	Lm/W
3000	800	87
4000	830	90

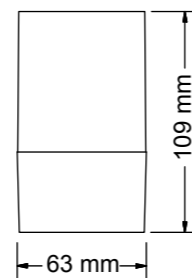
\*Luminus flux & power consumption of led. Φωτεινή ροή & κατανάλωση πυρίνα led.

# WALL MOVABLE LED

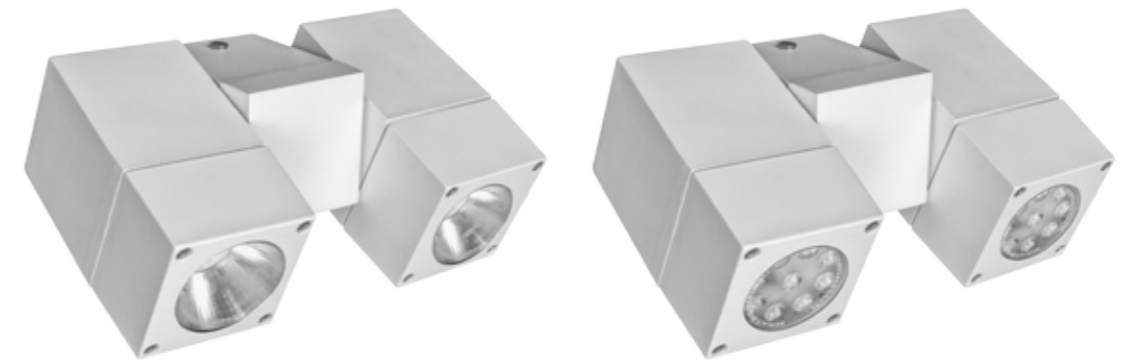


6x6 16

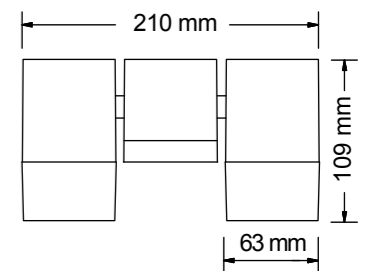
CODE*	WATT	KELVIN	CRI	REFLECTOR DEGREES	LED DRIVER	COLOUR
71K	6,2W (06)	3000K (30)	80 (80)	12° (12)	ON - OFF (C)	WHITE (-01)
		4000K (40)		24° (24)		BLACK (-03)
				40° (40)		OTHER** (-XX)
71K	9,2W (09)	3000K (30)	80 (80)	12° (12)	ON - OFF (C)	WHITE (-01)
		4000K (40)		24° (24)		BLACK (-03)
				40° (40)		60° (60)
FINAL CODE						
71K	---	--	--	--	-	-
	(WATT)	(KELVIN)	(CRI)	(REFLECTOR DEGREES)	(LED DRIVER)	(COLOUR)



# WALL DOUBLE MOVABLE LED



CODE*	WATT	KELVIN	CRI	REFLECTOR DEGREES	LED DRIVER	COLOUR
71K	6,2W (12)	3000K (30)	80 (80)	12° (12)	ON - OFF (C)	WHITE (-01)
		4000K (40)		24° (24)		BLACK (-03)
				40° (40)		OTHER** (-XX)
71K	9,2W (18)	3000K (3)	80 (80)	12° (12)	ON - OFF (C)	WHITE (-01)
		4000K (4)		24° (24)		BLACK (-03)
				40° (40)		60° (60)
FINAL CODE						
71K	---	--	--	--	-	-
	(WATT)	(KELVIN)	(CRI)	(REFLECTOR DEGREES)	(LED DRIVER)	(COLOUR)



\* Για να δημιουργήσετε τον τελικό κωδικό του προϊόντος που επιθυμείτε, προσθέστε μετά τον αρχικό κωδικό τους πορτοκαλί αριθμούς ή γράμματα που βρίσκονται μέσα στις παρενθέσεις ανάλογα με την επιλογή σας.  
 \*\* Διαθέσιμο και σε άλλα χρώματα από το χρωματολόγιο στη σελίδα 10.

\* To create the final product code add after their original prefix the orange numbers or letters, inside the parentheses, according to your choice. \*\*Available in other colours, see page 10.



# OUTDOOR WALL



**BODY** Aluminium profile  
**LAMPHOLDER** GU10  
**REGULATION** Manufactured in accordance with EN 60598-1 and CE 93/68/EOK  
**PROTECTION DEGREE AGAINST MOISTURE AND DUST** IP65

## WALL UP DOWN GU10



6x6 21

CODE	DESCRIPTION	LAMPHOLDER
7124	WALL UP DOWN GU10	GU10

## WALL DOWN GU10



6x6 11

CODE	DESCRIPTION	LAMPHOLDER
7124/1	WALL DOWN GU10	GU10

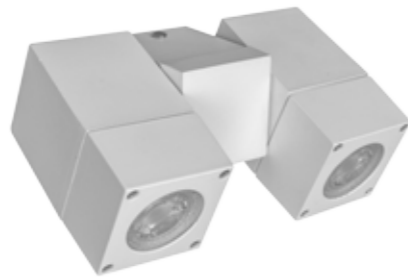
## WALL DOWN MOUNTED ON CEILING GU10



6x6 14

CODE	DESCRIPTION	LAMPHOLDER
7124/A	WALL DOWN MOUNTED ON CEILING GU10	GU10

## WALL DOUBLE MOVABLE GU10



6x6 11

CODE	DESCRIPTION	LAMPHOLDER
7229	WALL DOUBLE DOWN GU10	GU10

## WALL MOVABLE GU10

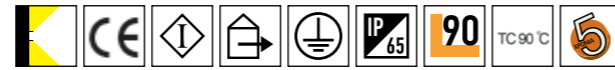


6x6 16

CODE	DESCRIPTION	LAMPHOLDER
7129	WALL MONO MOVABLE GU10	GU10

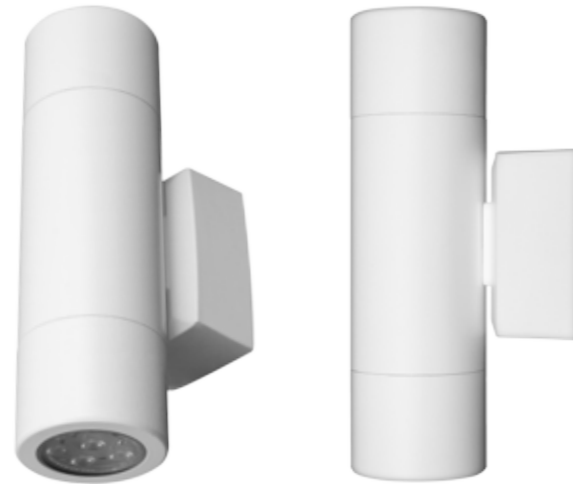


# OUTDOOR WALL



<b>BODY</b>	Aluminium
<b>SOURCE</b>	Chip On Board (COB) LED VOSSLOH ActiveLine LED Module • VOSSLOH ready line COB • OSRAM PrevaLED Coin 50g2 Module (ON BOARD)
<b>REGULATION</b>	Manufactured in accordance with EN 60598-1 and CE 93/68/EOK
<b>PROTECTION DEGREE AGAINST MOISTURE AND DUST</b>	IP65


## FOCUS UP DOWN LED

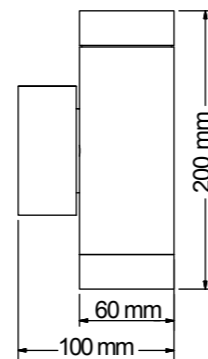


OSRAM PrevaLED Coin 50G2 Module 

KELVIN	9,2 W		4W		6W		8W	
	Lm	Lm/W	Lm	Lm/W	Lm	Lm/W	Lm	Lm/W
3000	800	87	352	88	498	83	656	82
4000	830	90	368	92	522	87	688	86

\*Luminous flux & power consumption of led. Φωτεινή ροή & κατανάλωση πυρήνα led.

CODE*	WATT	KELVIN	CRI	REFLECTOR DEGREES	LED DRIVER	COLOUR
 70	4W (04)	3000K (30)	80 (80)	12° (12)	ON - OFF (C)	WHITE (-01)
	6W (06)			24° (24)		BLACK (-03)
	8W (08)	4000K (40)		40° (40)		ALUMINUM (-26)
	9.2W (18)			60° (60)		OTHER*** (-XX)
FINAL CODE						
70	---	--	--	--	-	- --
	(WATT)	(KELVIN)	(CRI)	(REFLECTOR DEGREES)	(LED DRIVER)	(COLOUR)

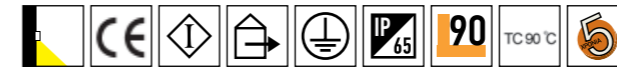


\* Για να δημιουργήσετε τον τελικό κωδικό του προϊόντος που επιθυμείτε, προσθέστε μετά τον αρχικό κωδικό τους πορτοκαλί αριθμούς ή γράμματα που βρίσκονται μέσα στις παρενθέσεις ανάλογα με την επιλογή σας.

\*\* Διαθέσιμο και σε άλλα χρώματα από το χρωματολόγιο στη σελίδα 10.



# OUTDOOR WALL



## LED VOSSLÖH ActiveLine LED Module



## OSRAM PrevaLED Coin 50G2 Module



**BODY** Aluminium

**SOURCE** Chip On Board (COB) LED VOSSLÖH ActiveLine LED Module • OSRAM PrevaLED Coin 50g2 Module (ON BOARD)

**REGULATION** Manufactured in accordance with EN 60598-1 and CE 93/68/EOK

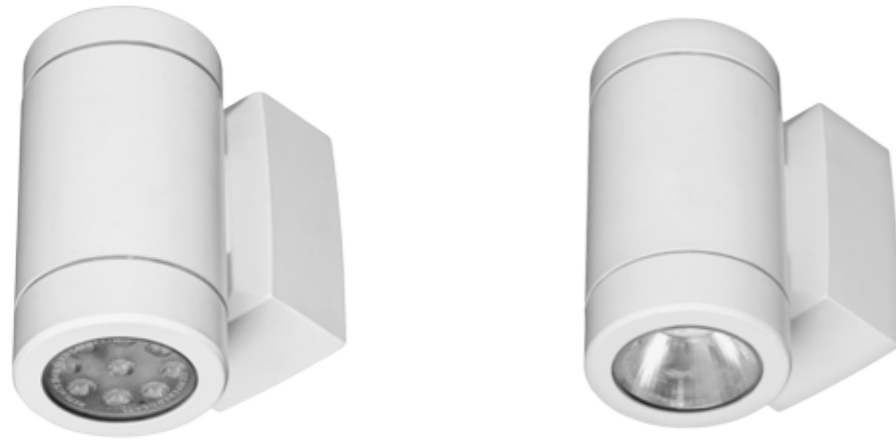
**PROTECTION DEGREE AGAINST MOISTURE AND DUST** IP65



\*Luminous flux & power consumption of led. Φωτεινή ροή & κατανάλωση πυρήνα led. \*Luminous flux & power consumption of led. Φωτεινή ροή & κατανάλωση πυρήνα led.

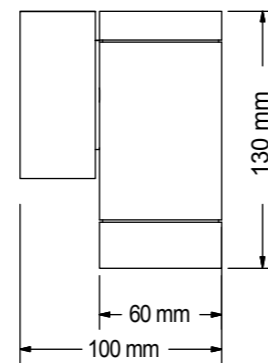
KELVIN	6,2W @350 mA	
	Lm	Lm/W
3000	615	99
4000	645	104

KELVIN	9,2 W	
	Lm	Lm/W
3000	800	87
4000	830	90

# FOCUS DOWN LED





CODE*	WATT	KELVIN	CRI	REFLECTOR DEGREES	LED DRIVER	COLOUR
 7A	6,2W (06)	3000K (30)	80 (80)	12° (12)	ON - OFF (C)	WHITE (-01)
		4000K (40)		24° (24)		BLACK (-03)
				40° (40)		OTHER** (-XX)
 7A	9,2W (09)	3000K (3)	80 (80)	12° (12)	ON - OFF (C)	WHITE (-01)
		4000K (4)		24° (24)		BLACK (-03)
				40° (40)		OTHER** (-XX)
				60° (60)		
FINAL CODE						
7A	---	--	--	--	-	-
	(WATT)	(KELVIN)	(CRI)	(REFLECTOR DEGREES)	(LED DRIVER)	(COLOUR)

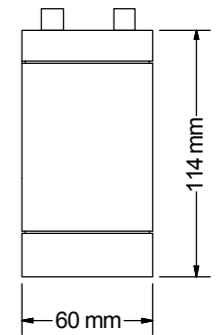


\* To create the final product code add after their original prefix the orange numbers or letters, inside the parentheses, according to your choice. \*\*Available in other colours, see page 10.

# FOCUS MOUNTED ON CEILING LED

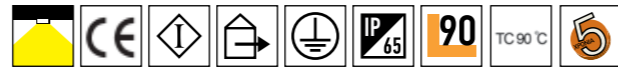


CODE*	WATT	KELVIN	CRI	REFLECTOR DEGREES	LED DRIVER	COLOUR
 70A	6,2W (06)	3000K (3)	80 (80)	12° (12)	ON - OFF (C)	WHITE (-01)
		4000K (4)		24° (24)		BLACK (-03)
				40° (40)		OTHER** (-XX)
 70A	9,2W (09)	3000K (3)	80 (80)	12° (12)	ON - OFF (C)	WHITE (-01)
		4000K (4)		24° (24)		BLACK (-03)
				40° (40)		OTHER** (-XX)
				60° (60)		
FINAL CODE						
70A	---	--	--	--	-	-
	(WATT)	(KELVIN)	(CRI)	(REFLECTOR DEGREES)	(LED DRIVER)	(COLOUR)



\* Για να δημιουργήσετε τον τελικό κωδικό του προϊόντος που επιθυμείτε, προσθέστε μετά τον αρχικό κωδικό τους πορτοκαλί αριθμούς ή γράμματα που βρίσκονται μέσα στις παρενθέσεις ανάλογα με την επιλογή σας. \*\* Διαθέσιμο και σε άλλα χρώματα από το χρωματολόγιο στη σελίδα 10.

# OUTDOOR WALL



**BODY** Aluminium  
**SOURCE** Chip On Board (COB) LED VOSSLOH ActiveLine LED Module • OSRAM PrevaLED Coin 50g2 Module (ON BOARD)  
**REGULATION** Manufactured in accordance with EN 60598-1 and CE 93/68/EOK  
**PROTECTION DEGREE AGAINST MOISTURE AND DUST** IP65

## LED VOSSLOH ActiveLine LED Module



KELVIN	6,2W @350 mA	
	Lm	Lm/W
3000	615	99
4000	645	104

\*Luminus flux & power consumption of led. Φωτεινή ροή & κατανάλωση πυρήνα led.

## OSRAM PrevaLED Coin 50G2 Module



KELVIN	9,2 W	
	Lm	Lm/W
3000	800	87
4000	830	90

\*Luminus flux & power consumption of led. Φωτεινή ροή & κατανάλωση πυρήνα led.

# FOCUS MOVABLE LED



# FOCUS DOUBLE MOVABLE LED

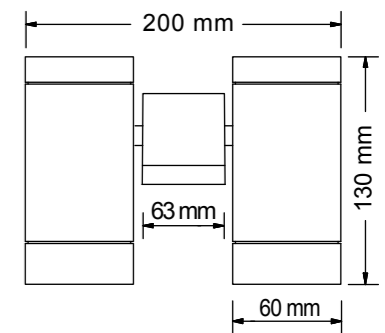


CODE*	WATT	KELVIN	CRI	REFLECTOR DEGREES	LED DRIVER	COLOUR
701	6,2W (06)	3000K (3)	80 (80)	12° (12)	ON - OFF (C)	WHITE (-01)
		4000K (4)		24° (24)		BLACK (-03)
				40° (40)		OTHER** (-XX)
701	9,2W (09)	3000K (3)	80 (80)	12° (12)	ON - OFF (C)	WHITE (-01)
		4000K (4)		24° (24)		BLACK (-03)
				40° (40)		OTHER** (-XX)
				60° (60)		
FINAL CODE						
701	---	--	--	--	-	-
	(WATT)	(KELVIN)	(CRI)	(REFLECTOR DEGREES)	(LED DRIVER)	(COLOUR)

\* Για να δημιουργήσετε τον τελικό κωδικό του προϊόντος που επιθυμείτε, προσθέστε μετά τον αρχικό κωδικό τους πορτοκαλί αριθμούς ή γράμματα που βρίσκονται μέσα στις παρενθέσεις ανάλογα με την επιλογή σας.  
 \*\* Διαθέσιμο και σε άλλα χρώματα από το χρωματολόγιο στη σελίδα 10.

CODE*	WATT	KELVIN	CRI	REFLECTOR DEGREES	LED DRIVER	COLOUR
70	6,2W (12)	3000K (30)	80 (80)	12° (12)	ON - OFF (C)	WHITE (-01)
		4000K (40)		24° (24)		BLACK (-03)
				40° (40)		OTHER** (-XX)
70	9,2W (18)	3000K (3)	80 (80)	12° (12)	ON - OFF (C)	WHITE (-01)
		4000K (4)		24° (24)		BLACK (-03)
				40° (40)		OTHER** (-XX)
				60° (60)		
FINAL CODE						
70	---	--	--	--	-	-
	(WATT)	(KELVIN)	(CRI)	(REFLECTOR DEGREES)	(LED DRIVER)	(COLOUR)

\* To create the final product code add after their original prefix the orange numbers or letters, inside the parentheses, according to your choice. \*\*Available in other colours, see page 10.



## OUTDOOR WALL



BODY	Aluminium profile
LAMPHOLDER	GU10
REGULATION	Manufactured in accordance with EN 60598-1 and CE 93/68/EOK
PROTECTION DEGREE AGAINST MOISTURE AND DUST	IP65

### FOCUS UP DOWN GU10



Diameter 60 mm, height 155 mm

CODE	DESCRIPTION	LAMPHOLDER
7024	FOCUS UP DOWN GU10	GU10

### FOCUS DOWN GU10



Diameter 60 mm, height 125 mm

CODE	DESCRIPTION	LAMPHOLDER
7024/1	FOCUS DOWN GU10	GU10

### FOCUS MOUNTED ON CEILING GU10



Diameter 60 mm, height 125 mm

CODE	DESCRIPTION	LAMPHOLDER
7024/2	FOCUS MOUNTED ON CEILING GU10	GU10

### FOCUS DOUBLE MOVABLE GU10



Diameter 60 mm

CODE	DESCRIPTION	LAMPHOLDER
7028	FOCUS DOUBLE MOVABLE GU10	GU10

### FOCUS MOVABLE GU10



Diameter 60 mm, height 200 mm

CODE	DESCRIPTION	LAMPHOLDER
7029/1	FOCUS MONO MOVABLE GU10	GU10



BODY	Aluminium profile • Plexiglass tube
LAMPHOLDER	E27
REGULATION	Manufactured in accordance with EN 60598-1 and CE 93/68/EOK
PROTECTION DEGREE AGAINST MOISTURE AND DUST	IP65

### FOCUS GLASS DOUBLE E27



Diameter 60 mm, height 320 mm

CODE	DESCRIPTION	LAMPHOLDER
7025	FOCUS GLASS DOUBLE	E27

### FOCUS GLASS MONO E27



Diameter 60 mm, height 190 mm

CODE	DESCRIPTION	LAMPHOLDER
7025/1	FOCUS GLASS	E27

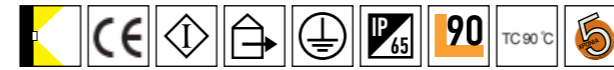
### FOCUS GLASS MOUNTED ON CEILING E27



Diameter 60 mm, height 190 mm

CODE	DESCRIPTION	LAMPHOLDER
7025/A	FOCUS GLASS MOUNTED ON CEILING	E27

# OUTDOOR WALL



<b>BODY</b>	Stainless steel and cast-pressed aluminium
<b>SOURCE</b>	VOSSL0H ReadyLine (COB) 230V (ON BOARD)
<b>REGULATION</b>	Manufactured in accordance with EN 60598-1 and CE 93/68/EOK
<b>PROTECTION DEGREE AGAINST MOISTURE AND DUST</b>	IP65
<b>LUMINAIRE INSIDE:</b>	Oxygen Luminaire

KELVIN	6W	
	Lm	Lm/W
3000	498	83
4000	522	87

\*Luminous flux & power consumption of led. Φωτεινή ροή & κατανάλωση πυρήνα led.

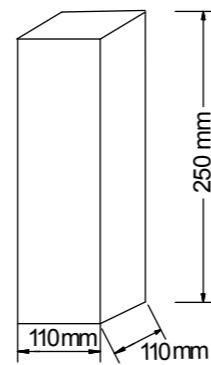
# NAXOS LED WATERPROOF



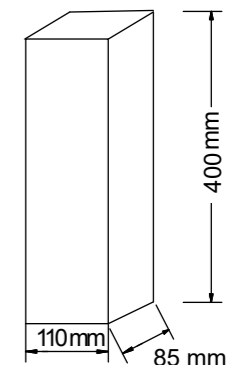
# SYROS LED WATERPROOF



CODE*	WATT	KELVIN	CRI	REFLECTOR DEGREES	LED DRIVER	COLOUR
70	6,2W (6)	3000K (30)	80 (80)	12° (12)	ON - OFF (C)	WHITE (-01)
		4000K (40)		24° (24)		BLACK (-03)
				40° (40)		OTHER** (-XX)
FINAL CODE						
70	---	--	--	--	-	-
	(WATT)	(KELVIN)	(CRI)	(REFLECTOR DEGREES)	(LED DRIVER)	(COLOUR)



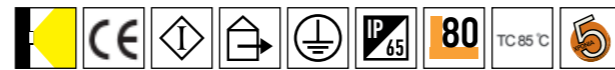
CODE*	WATT	KELVIN	CRI	REFLECTOR DEGREES	LED DRIVER	COLOUR
7232	6,2W (6)	3000K (30)	80 (80)	12° (12)	ON - OFF (C)	WHITE (-01)
		4000K (40)		24° (24)		BLACK (-03)
				40° (40)		OTHER** (-XX)
FINAL CODE						
7232	---	--	--	--	-	-
	(WATT)	(KELVIN)	(CRI)	(REFLECTOR DEGREES)	(LED DRIVER)	(COLOUR)



\* Για να δημιουργήσετε τον τελικό κωδικό του προϊόντος που επιθυμείτε, προσθέστε μετά τον αρχικό κωδικό τους πορτοκαλί αριθμούς ή γράμματα που βρίσκονται μέσα στις παρενθέσεις ανάλογα με την επιλογή σας.  
 \*\* Διαθέσιμο και σε άλλα χρώματα από το χρωματολόγιο στη σελίδα 10.

\* To create the final product code add after their original prefix the orange numbers or letters, inside the parentheses, according to your choice. \*\* Available in other colours, see page 10.

## OUTDOOR WALL



<b>BODY</b>	Die cast aluminium
<b>SOURCE</b>	LUGA Line RX LED Module (ON BOARD)
<b>REGULATION</b>	Manufactured in accordance with EN 60598
<b>PROTECTION DEGREE AGAINST MOISTURE AND DUST</b>	IP65

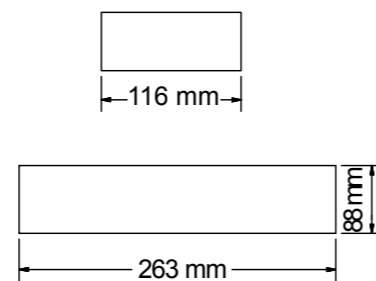
## ROMOLO LED



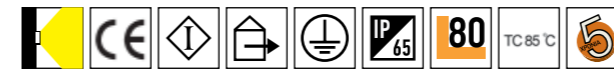
KELVIN	8,2W @700 mA		16,4W @700 mA	
	Lm	Lm/W	Lm	Lm/W
3000	950	116	1900	116
4000	1000	122	2000	122

\*Luminous flux & power consumption of led. Φωτεινή ροή & κατανάλωση πυρήνα led.

CODE*	WATT	KELVIN	CRI	REFLECTOR DEGREES	LED DRIVER	COLOUR
34	8,2W (08)	3000K (30)	80 (80)	78° (78)	ON OFF (C)	WHITE (-01)
						BLACK (-03)
	16,4W (16)	4000K (40)				ALUMINUM (-26)
						OTHER*** (-XX)
FINAL CODE						
34	-- (WATT)	-- (KELVIN)	-- (CRI)	-- (REFLECTOR DEGREES)	-- (LED DRIVER)	-- (COLOUR)

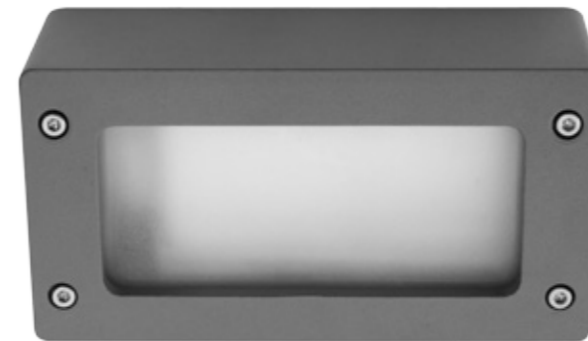


\* Για να δημιουργήσετε τον τελικό κωδικό του προϊόντος που επιθυμείτε, προσθέστε μετά τον αρχικό κωδικό τους πορτοκαλί αριθμούς ή γράμματα που βρίσκονται μέσα στις παρενθέσεις ανάλογα με την επιλογή σας.  
\*\* Διαθέσιμο και σε άλλα χρώματα από το χρωματολόγιο στη σελίδα 10.



<b>BODY</b>	Die cast aluminium
<b>SOURCE</b>	LUGA Line RX LED Module (ON BOARD)
<b>REGULATION</b>	Manufactured in accordance with EN 60598
<b>PROTECTION DEGREE AGAINST MOISTURE AND DUST</b>	IP65

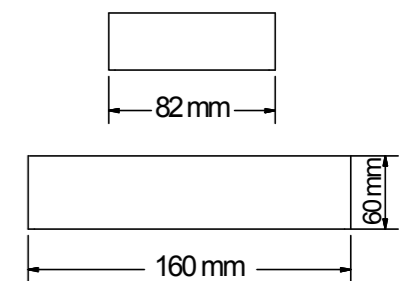
## APOLON LED



KELVIN	2W@350 mA		4,1W@700 mA	
	Lm	Lm/W	Lm	Lm/W
3000	255	128	475	116
4000	270	135	500	112

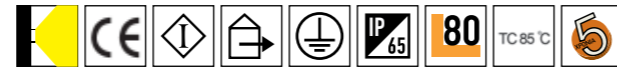
\*Luminous flux & power consumption of led. Φωτεινή ροή & κατανάλωση πυρήνα led.

CODE*	WATT	KELVIN	CRI	REFLECTOR DEGREES	LED DRIVER	COLOUR
36	2W (02)	3000K (30)	80 (80)	78° (78)	ON OFF (C)	WHITE (-01)
						BLACK (-03)
	4,1W (04)	4000K (40)				OTHER*** (-XX)
FINAL CODE						
36	-- (WATT)	-- (KELVIN)	-- (CRI)	-- (REFLECTOR DEGREES)	-- (LED DRIVER)	-- (COLOUR)



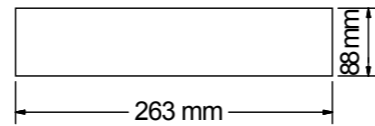
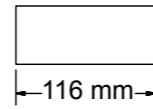
\* To create the final product code add after their original prefix the orange numbers or letters, inside the parentheses, according to your choice. \*\* Available in other colours, see page 10.

## OUTDOOR WALL



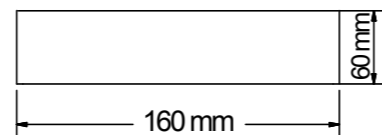
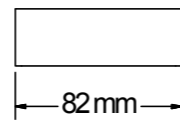
<b>BODY</b>	Die cast aluminium
<b>SOURCE</b>	LUGA Line RX LED Module (ON BOARD)
<b>REGULATION</b>	Manufactured in accordance with EN 60598
<b>PROTECTION DEGREE AGAINST MOISTURE AND DUST</b>	IP65

## ROMOLO E27

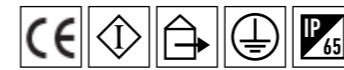


CODE	7044-COLOR	E27
------	------------	-----

## APOLON

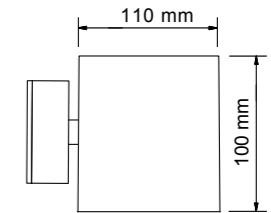


CODE	8143-color	G9 220V
------	------------	---------



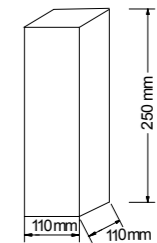
<b>BODY</b>	Cast pressed aluminium
<b>LAMPHOLDER</b>	G9
<b>REGULATION</b>	Manufactured in accordance with EN 60598-1 and CE 93/68/EOK
<b>PROTECTION DEGREE AGAINST MOISTURE AND DUST</b>	IP65

## KIMOLOS UP DOWN



CODE	DESCRIPTION	LAMPHOLDER
7022 - __ (COLOR)	KIMOLOS UP DOWN	G9

## NAXOS WATERPROOF GU10



CODE	DESCRIPTION	LAMPHOLDER
7031 - __ (COLOR)	NAXOS WATERPROOF GU10	GU10

Body Stainless steel and cast-pressed aluminium  
Lampholder GU10



## OUTDOOR WALL



**BODY** Die cast aluminium • satin glass cover • stainless steel screws  
**LAMPHOLDER** G9 • MICROLYNX G53  
**REGULATION** Manufactured in accordance with EN 60598-1 and CE 93/68/EOK  
**PROTECTION DEGREE AGAINST MOISTURE AND DUST** IP65

### SAMOS 1



Diameter 142 mm, height 60 mm

CODE	DESCRIPTION	LAMPHOLDER
200-6100	SAMOS 1	G9
200-6101		MICROLYNX G53

### SAMOS 2



Diameter 142 mm, height 60 mm

CODE	DESCRIPTION	LAMPHOLDER
200-6200	SAMOS 2	G9
200-6201		MICROLYNX G53

### SAMOS 3



Diameter 142 mm, height 60 mm

CODE	DESCRIPTION	LAMPHOLDER
200-6300	SAMOS 3	G9
200-6300		MICROLYNX G53

### SAMOS 4



Diameter 142 mm, height 60 mm

CODE	DESCRIPTION	LAMPHOLDER
200-6400	SAMOS 4	G9
200-6401		MICROLYNX G53

### SAMOS 5



Diameter 142 mm, height 60 mm

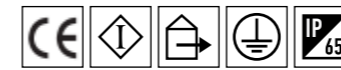
CODE	DESCRIPTION	LAMPHOLDER
200-6500	SAMOS 5	G9
200-6501		MICROLYNX G53

### SAMOS SQ



Diameter 120x120 mm, height 60 mm

CODE	DESCRIPTION	LAMPHOLDER
200-6600	SAMOS SQ	G9
200-6601		MICROLYNX G53



**BODY** Cast-pressed aluminium • satin glass cover • stainless steel screws  
**LAMPHOLDER** G9 • MICROLYNX G53  
**REGULATION** Manufactured in accordance with EN 60598-1 and CE 93/68/EOK  
**PROTECTION DEGREE AGAINST MOISTURE AND DUST** IP65

### CHIOS 3



Dimension 110x110 mm  
height 45 mm

CODE	DESCRIPTION	LAMPHOLDER
6043	CHIOS 3	G9
6053		MICROLYNX G53

### CHIOS 4



Dimension 110x110 mm, height 60 mm  
cutting hole 90x90 mm

CODE	DESCRIPTION	LAMPHOLDER
6044	CHIOS 4	G9
6054		MICROLYNX G53

### CHIOS 5



Dimension 110x110 mm  
height 63 mm

CODE	DESCRIPTION	LAMPHOLDER
6045	CHIOS 5	G9
6055		MICROLYNX G53

### CHIOS 6



Dimension 110x110 mm, height 65 mm  
cutting hole 90x90 mm

CODE	DESCRIPTION	LAMPHOLDER
6046	CHIOS 6	G9
6056		MICROLYNX G53

### CHIOS 7



Dimension 110x110 mm  
height 45 mm

CODE	DESCRIPTION	LAMPHOLDER
6047	CHIOS 7	G9
6057		MICROLYNX G53

## OUTDOOR WALL BRASS

<b>BODY</b>	Pressed Brass
<b>SOURCE</b>	Chip On Board (COB) LED VOSSLOH ActiveLine LED Module • OSRAM PrevaLED Coin 50g2 Module (ON BOARD)
<b>REGULATION</b>	Manufactured in accordance with EN 60598
<b>PROTECTION DEGREE AGAINST MOISTURE AND DUST</b>	IP65


## FOCUS BRASS UP DOWN LED

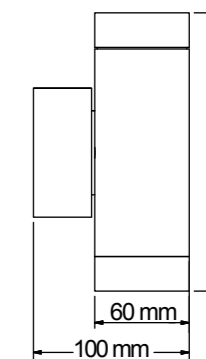


OSRAM PrevaLED Coin 50G2 Module 

KELVIN	9,2 W		4W		6W		8W	
	Lm	Lm/W	Lm	Lm/W	Lm	Lm/W	Lm	Lm/W
3000	800	87	352	88	498	83	656	82
4000	830	90	368	92	522	87	688	86

\*Luminous flux & power consumption of led. Φωτεινή ροή & κατανάλωση πυρήνα led.

CODE*	WATT	KELVIN	CRI	REFLECTOR DEGREES	LED DRIVER	COLOUR
 70P	4W (04)	3000K (3)	80 (8)	12° (12)	ON - OFF (C)	WHITE (-01)
	6W (06)			24° (24)		BLACK (-03)
	8W (08)	4000K (4)		40° (40)		ALUMINUM (-26)
	9.2W (18)			60° (60)		OTHER*** (-XX)
FINAL CODE						
70P	--- (WATT)	-- (KELVIN)	-- (CRI)	-- (REFLECTOR DEGREES)	- (LED DRIVER)	- (COLOUR)



\* Για να δημιουργήσετε τον τελικό κωδικό του προϊόντος που επιθυμείτε, προσθέστε μετά τον αρχικό κωδικό τους πορτοκαλί αριθμούς ή γράμματα που βρίσκονται μέσα στις παρενθέσεις ανάλογα με την επιλογή σας.

\*\* Διαθέσιμο και σε άλλα χρώματα από το χρωματολόγιο στη σελίδα 10.

# OUTDOOR WALL BRASS



**BODY** Pressed Brass  
**SOURCE** Chip On Board (COB) LED VOSSLOH ActiveLine LED Module • OSRAM PrevaLED Coin 50g2 Module (ON BOARD)  
**REGULATION** Manufactured in accordance with EN 60598  
**PROTECTION DEGREE AGAINST MOISTURE AND DUST** IP65

## LED VOSSLOH ActiveLine LED Module

KELVIN	6,2W @350 mA	
	Lm	Lm/W
3000	615	99
4000	645	104

\*Luminus flux & power consumption of led. Φωτεινή ροή & κατανάλωση πυρήνα led.

## OSRAM PrevaLED Coin 50G2 Module

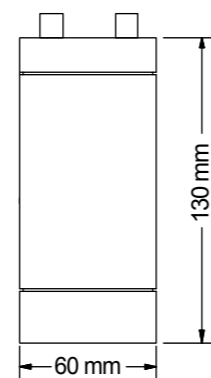
KELVIN	9,2 W	
	Lm	Lm/W
3000	800	87
4000	830	90

\*Luminus flux & power consumption of led. Φωτεινή ροή & κατανάλωση πυρήνα led.

## FOCUS BRASS MOUNTED ON CEILING LED



CODE*	WATT	KELVIN	CRI	REFLECTOR DEGREES	LED DRIVER	COLOUR
70P/A	6,2W (06)	3000K (3)	80 (8)	12° (12)	ON - OFF (C)	WHITE (-01)
		4000K (4)		24° (24)		BLACK (-03)
				40° (40)		OTHER** (-XX)
70P/A	9,2W (09)	3000K (3)	80 (8)	12° (12)	ON - OFF (C)	WHITE (-01)
		4000K (4)		24° (24)		BLACK (-03)
				40° (40)		OTHER** (-XX)
				60° (60)		
FINAL CODE						
70P/A	---	--	--	--	-	- --
	(WATT)	(KELVIN)	(CRI)	(REFLECTOR DEGREES)	(LED DRIVER)	(COLOUR)

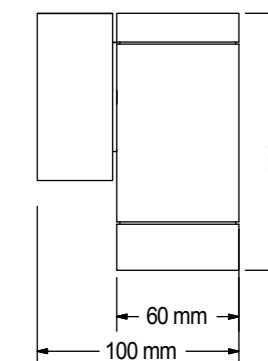


\* Για να δημιουργήσετε τον τελικό κωδικό του προϊόντος που επιθυμείτε, προσθέστε μετά τον αρχικό κωδικό τους πορτοκαλί αριθμούς ή γράμματα που βρίσκονται μέσα στις παρενθέσεις ανάλογα με την επιλογή σας.  
 \*\* Διαθέσιμο και σε άλλα χρώματα από το χρωματολόγιο στη σελίδα 10.

## FOCUS BRASS DOWN LED



CODE*	WATT	KELVIN	CRI	REFLECTOR DEGREES	LED DRIVER	COLOUR
70P/1	6,2W (06)	3000K (3)	80 (8)	12° (12)	ON - OFF (C)	WHITE (-01)
		4000K (4)		24° (24)		BLACK (-03)
				40° (40)		OTHER** (-XX)
70P/1	9,2W (09)	3000K (3)	80 (8)	12° (12)	ON - OFF (C)	WHITE (-01)
		4000K (4)		24° (24)		BLACK (-03)
				40° (40)		OTHER** (-XX)
				60° (60)		
FINAL CODE						
70P/1	---	--	--	--	-	- --
	(WATT)	(KELVIN)	(CRI)	(REFLECTOR DEGREES)	(LED DRIVER)	(COLOUR)



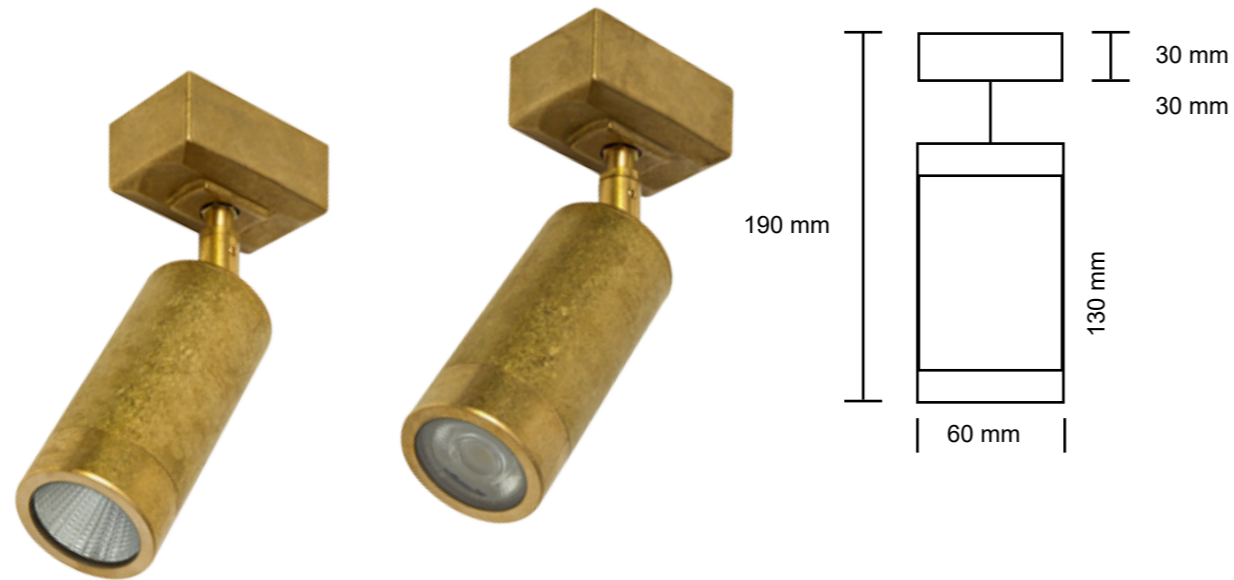
\* To create the final product code add after their original prefix the orange numbers or letters, inside the parentheses, according to your choice. \*\* Available in other colours, see page 10.

# OUTDOOR WALL BRASS



<b>BODY</b>	Pressed Brass
<b>SOURCE</b>	Chip On Board (COB) LED VOSSLOH ActiveLine LED Module • OSRAM PrevaLED Coin 50g2 Module (ON BOARD)
<b>REGULATION</b>	Manufactured in accordance with EN 60598
<b>PROTECTION DEGREE AGAINST MOISTURE AND DUST</b>	IP65

## FOCUS BRASS MOVABLE LED



CODE*	WATT	KELVIN	CRI	REFLECTOR DEGREES	LED DRIVER	COLOUR
70P/K	6,2W (07)	3000K (3)	80 (8)	12° (12)	ON - OFF (C)	WHITE (-01)
		4000K (4)		24° (24)		BLACK (-03)
				40° (40)		OTHER** (-XX)
70P/K	9,2W (10)	3000K (3)	80 (8)	12° (12)	ON - OFF (C)	WHITE (-01)
		4000K (4)		24° (24)		BLACK (-03)
				40° (40)		OTHER** (-XX)
				60° (60)		
FINAL CODE						
70P/K	--- (WATT)	-- (KELVIN)	-- (CRI)	-- (REFLECTOR DEGREES)	- (LED DRIVER)	- (COLOUR)

### LED VOSSLOH ActiveLine LED Module

KELVIN	6,2W @350 mA	
	Lm	Lm/W
3000	615	99
4000	645	104

\*Luminous flux & power consumption of led.  
Φωτεινή ροή & κατανάλωση πυρήνα led.

### OSRAM PrevaLED Coin 50G2 Module

KELVIN	9,2 W	
	Lm	Lm/W
3000	800	87
4000	830	90

\*Luminous flux & power consumption of led.  
Φωτεινή ροή & κατανάλωση πυρήνα led.

\* Για να δημιουργήσετε τον τελικό κωδικό του προϊόντος που επιθυμείτε, προσθέστε μετά τον αρχικό κωδικό τους πορτοκαλί αριθμούς ή γράμματα που βρίσκονται μέσα στις παρενθέσεις ανάλογα με την επιλογή σας.  
\*\* Διαθέσιμο και σε άλλα χρώματα από το χρωματολόγιο στη σελίδα 10.



## OUTDOOR WALL BRASS



BODY	Pressed Brass
LAMPHOLDER	GU10
REGULATION	Manufactured in accordance with EN 60598-1 and CE 93/68/EOK
PROTECTION DEGREE AGAINST MOISTURE AND DUST	IP65



BODY	Pressed Brass • OPlexiglass tube
LAMPHOLDER	E27
REGULATION	Manufactured in accordance with EN 60598-1 and CE 93/68/EOK
PROTECTION DEGREE AGAINST MOISTURE AND DUST	IP65



### FOCUS BRASS UP DOWN GU10



Diameter 60 mm, height 200 mm

CODE	DESCRIPTION	LAMPHOLDER
70240P - __ (COLOR)	FOCUS BRASS UP DOWN	GU10

### FOCUS BRASS DOWN GU10



Diameter 60 mm, height 125 mm

CODE	DESCRIPTION	LAMPHOLDER
7024/10P - __ (COLOR)	FOCUS BRASS DOWN	GU10

### FOCUS BRASS MOUNTED ON CEILING GU10



Diameter 60 mm, height 125 mm

CODE	DESCRIPTION	LAMPHOLDER
7024/20P - __ (COLOR)	FOCUS BRASS MOUNTED ON CEILING	GU10

### FOCUS BRASS MOVABLE GU10



Diameter 60 mm, height 200 mm

CODE	DESCRIPTION	LAMPHOLDER
7029/10P - __ (COLOR)	FOCUS BRASS MONO MOVABLE	GU10



### FOCUS BRASS GLASS DOUBLE

Diameter 60 mm, height 320 mm

CODE	DESCRIPTION	LAMPHOLDER
70250P - __ (COLOR)	FOCUS BRASS GLASS DOUBLE	E27



### FOCUS BRASS GLASS

Diameter 60 mm, height 120 mm

CODE	DESCRIPTION	LAMPHOLDER
7025/10P - __ (COLOR)	FOCUS BRASS GLASS	E27



### FOCUS BRASS GLASS MOUNTED ON CEILING

Diameter 60 mm, height 120 mm

CODE	DESCRIPTION	LAMPHOLDER
7025/A0P - __ (COLOR)	FOCUS BRASS GLASS MOUNTED ON CEILING	E27

\* Για να δημιουργήσετε τον τελικό κωδικό του προϊόντος που επιθυμείτε, προσθέστε μετά τον αρχικό κωδικό, τον κωδικό χρώματος που επιθυμείτε από το χρωματολόγιο στη σελίδα 10.

\* To create the final product code add after the prefix, the colour code you wish from the available colours, see page 10.

# OUTDOOR WALL BRASS



<b>BODY</b>	Pressed Brass
<b>LAMPHOLDER</b>	G9 • MICROLYNX G53
<b>REGULATION</b>	Manufactured in accordance with EN 60598-1 and CE 93/68/EOK
<b>PROTECTION DEGREE AGAINST MOISTURE AND DUST</b>	IP65

## SAMOS 1 BRASS



Diameter 142 mm, height 60 mm

## SAMOS 2 BRASS

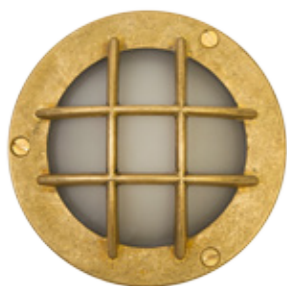


Diameter 142 mm, height 60 mm

CODE	DESCRIPTION	LAMPHOLDER
200 - 6110 - __ (COLOR)	SAMOS 1 BRASS	G9
200 - 6111 - __ (COLOR)		MICROLYNX G53

CODE	DESCRIPTION	LAMPHOLDER
200 - 6210 - __ (COLOR)	SAMOS 2 BRASS	G9
200 - 6211 - __ (COLOR)		MICROLYNX G53

## SAMOS 5 BRASS



Diameter 142 mm, height 60 mm

CODE	
200 - 500 - __ (COLOR)	
200 - 501 - __ (COLOR)	
DESCRIPTION	LAMPHOLDER
SAMOS 3 BRASS	G9
	MICROLYNX

## CHIOS 4 BRASS semirecessed



CODE	
60440P	
60540P	
DESCRIPTION	LAMPHOLDER
XIOS 4 BRASS	G9
	MICROLYNX G53

## SAMOS SQ BRASS



Dimensions 120x120 mm, height 60 mm

CODE	
200 - 600 - __ (COLOR)	
200 - 601 - __ (COLOR)	
DESCRIPTION	LAMPHOLDER
SAMOS SQ BRASS	G9
	MICROLYNX G53

\* Για να δημιουργήσετε τον τελικό κωδικό του προϊόντος που επιθυμείτε, προσθέστε μετά τον αρχικό κωδικό, τον κωδικό χρώματος που επιθυμείτε από το χρωματολόγιο στη σελίδα 10.



# OUTDOOR PROJECTORS









<b>BODY</b>	Die cast aluminium
<b>SOURCE</b>	OSRAM AC PRO LED Module 230V (ON BOARD)
<b>REGULATION</b>	Manufactured in accordance with EN 60598-1 and CE 93/68/EOK
<b>PROTECTION DEGREE AGAINST MOISTURE AND DUST</b>	IP65
<b>ACCESSORIES</b>	Pole aluminium 7014

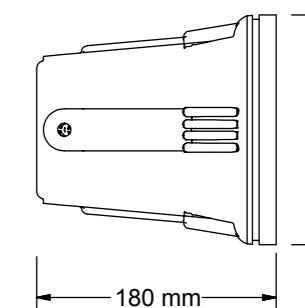
## SIENA AC PRO LED



COLOUR TEMPERATURE KELVIN	20W		33W		40W	
	Lm	Lm/W	Lm	Lm/W	Lm	Lm/W
3000K	1816	91	2724	82	3800	90
4000K	1871	94	2806	84	3920	98

\*Luminous flux & power consumption of led. Φωτεινή ροή & κατανάλωση πυρίνα led.

CODE*	WATT	KELVIN	CRI	REFLECTOR DEGREES	LED DRIVER	COLOUR
7014	20W (20)	3000K (3)	80 (8)	12° (12)	ON - OFF (C)	WHITE (-01)
	33W (30)			24° (24)		BLACK (-03)
		40W (40)		40° (40)		ALUMINUM (-26)
				60° (60)		OTHER*** (-XX)
FINAL CODE						
7014	-- (WATT)	-- (KELVIN)	-- (CRI)	-- (REFLECTOR DEGREES)	-- (LED DRIVER)	-- (COLOUR)



\* Για να δημιουργήσετε τον τελικό κωδικό του προϊόντος που επιθυμείτε, προσθέστε μετά τον αρχικό κωδικό τους πορτοκαλί αριθμούς ή γράμματα που βρίσκονται μέσα στις παρενθέσεις ανάλογα με την επιλογή σας. \*\*Πρόθεμα "A" για στήριξη με βάση οροφής. \*\*\*Διαθέσιμο και σε άλλα χρώματα από το χρωματολόγιο στη σελίδα 10.

# OUTDOOR PROJECTORS



**BODY** Die cast aluminium  
**SOURCE** Chip on board (COB)  
**REGULATION** Manufactured in accordance with EN 60598-1 and CE 93/68/EOK  
**PROTECTION DEGREE AGAINST MOISTURE AND DUST** IP65  
**ACCESSORIES** Pole aluminium 7014

**BODY** Die cast aluminium  
**SOURCE** OSRAM Prevaled Coin  
**REGULATION** Manufactured in accordance with EN 60598-1 and CE 93/68/EOK  
**PROTECTION DEGREE AGAINST MOISTURE AND DUST** IP65  
**ACCESSORIES** Double movable (Arm and Lamp) • Pole aluminium 7014  
**CHARACTERISTICS** CRI 80 - Reflector degrees 40° - Driver ON/OFF

## SIENA COB LED

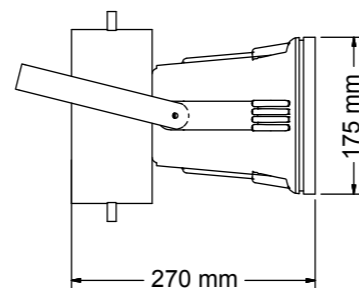


## SIENA COIN LED

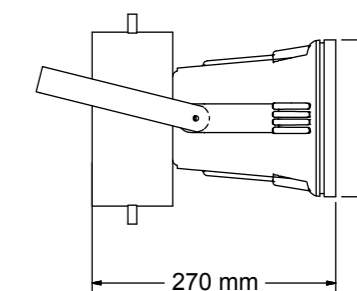


COLOUR TEMPERATURE KELVIN	23,2W		30,4W		35,9W		49,3W		60W	
	Lm	Lm/W	Lm	Lm/W	Lm	Lm/W	Lm	Lm/W	Lm	Lm/W
3000K	3899	168	4888	161	5596	156	7249	149	8500	141
4000K	4115	177	5189	170	5907	167	7638	155	8800	146

CODE*	WATT	KELVIN	CRI	REFLECTOR DEGREES	LED DRIVER	COLOUR
76	23,2W (23)	3000K (30)	80 (80)	12° (12)	ON - OFF (C)	WHITE (-01)
	30,4W (31)			24° (24)		BLACK (-03)
	35,9W (36)	4000K (40)	90 (90)	40° (40)	1 - 10 V WITH DIM (I)	ALUMINUM (-26)
	49,3W (49)			60° (60)		OTHER*** (-XX)
	60W (60)					
FINAL CODE						
76	-- (WATT)	-- (KELVIN)	-- (CRI)	-- (REFLECTOR DEGREES)	-- (LED DRIVER)	-- (COLOUR)



CODE	KELVIN	PREVALED COIN 111	
		21,6 W - 230 V	
		Lm	Lm/W
760230-color	3000 K	2300	106
760240-color	4000 K	2500	116



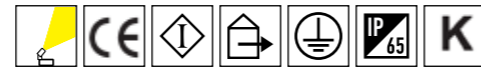
\*Luminous flux & power consumption of led.  
 Φωτεινή ροή & κατανάλωση πυρίνα led.

\* Για να δημιουργήσετε τον τελικό κωδικό του προϊόντος που επιθυμείτε, προσθέστε μετά τον αρχικό κωδικό τους πορτοκαλί αριθμούς ή γράμματα που βρίσκονται μέσα στις παρενθέσεις ανάλογα με την επιλογή σας. \*\*\*Διαθέσιμο και σε άλλα χρώματα από το χρωματολόγιο στη σελίδα 10.

60W contain a 60 degree total lens  
 Το 60 W διατίθεται μόνο με σιλικονούχο φακό

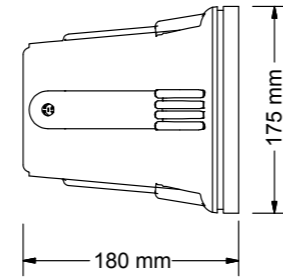
\* To create the final product code add after their original prefix the orange numbers or letters, inside the parentheses, according to your choice. \*\*Available in other colours, see page 10.

# OUTDOOR PROJECTORS



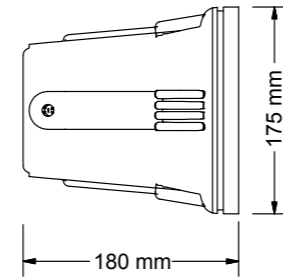
BODY	Cast pressed aluminium • Glass cover 5mm • Stainless steel screws
SOURCE	R111 • PAR 30 • E27
REGULATION	Manufactured in accordance with EN 60598-1 and CE 93/68/EOK
PROTECTION DEGREE AGAINST MOISTURE AND DUST	IP65
ACCESSORIES	Pole aluminium 7014 ———

## SIENA R111



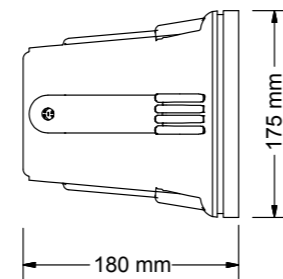
CODE	DESCRIPTION	LAMPHOLDER
7602	SIENA R111	R111

## SIENA PAR 30 E27



CODE	DESCRIPTION	LAMPHOLDER
7606	SIENA PAR 30 E27	PAR 30 E27

## SIENA E27 With Aluminum reflector



CODE	DESCRIPTION	LAMPHOLDER
7608	SIENA E27	E27



# OUTDOOR PROJECTORS

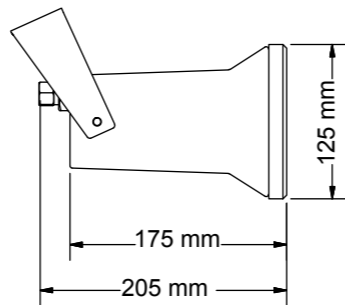


**BODY** Die cast aluminium  
**SOURCE** OSRAM PrevaLED Coin 50g1 Module • Chip On Board (COB) LED VOSSLOH (ON BOARD) ActiveLine LED Module  
**REGULATION** Manufactured in accordance with EN 60598-1 and CE 93/68/EOK  
**PROTECTION DEGREE AGAINST MOISTURE AND DUST** IP65  
**ACCESSORIES** Aluminium 7013

## VITA S COB LED



CODE*	WATT	KELVIN	CRI	REFLECTOR DEGREES	LED DRIVER	COLOUR
7627	6,2W (06)	3000K (3)	80 (8)	12° (12)	ON-OFF (C)	BLACK (-03)
		9,3W (09)		4000K (4)	25° (24)	DALI (D)
					36° (40)	PUSH BUTTON (B) PHASE CUT (P)
7621	10,7W (98)	3000K (3)	80 (8)	24° (24)	ON - OFF (C)	BLACK (-03)
	12,9W (91)	4000K (4)			DALI (D)	ALUMINUM (-01)
	9,3W (11)				PHASE CUT (P)	OTHER** (-XX)
FINAL CODE						
76	-- (WATT)	-- (KELVIN)	-- (CRI)	-- (REFLECTOR DEGREES)	-- (LED DRIVER)	-- (COLOUR)



### LED VOSSLOH ActiveLine LED Module



COLOUR TEMPERATURE KELVIN	6,2 W @350 mA		9,3 W @350mA	
	Lm	Lm/W	Lm	Lm/W
3000K	615	99	1200	129
4000K	645	104	1252	135

### OSRAM PrevaLED Coin 50G1 Module



COLOUR TEMPERATURE KELVIN	10,7W @350 mA		12,9 W @350mA		9,2 W	
	Lm	Lm/W	Lm	Lm/W	Lm	Lm/W
3000K	1100	103	1360	105	800	87
4000K	1200	112	1430	111	830	90

\*Luminous flux & power consumption of led.  
 Φωτεινή ροή & κατανάλωση πυρήνα led.

\*Luminous flux & power consumption of led.  
 Φωτεινή ροή & κατανάλωση πυρήνα led.

\* Για να δημιουργήσετε τον τελικό κωδικό του προϊόντος που επιθυμείτε, προσθέστε μετά τον αρχικό κωδικό τους πορτοκαλί αριθμούς ή γράμματα που βρίσκονται μέσα στις παρενθέσεις ανάλογα με την επιλογή σας. \*\*Πρόθεμα "A" για στήριξη με βάση οροφής. \*\*\*Διαθέσιμο και σε άλλα χρώματα από το χρωματολόγιο στη σελίδα 10.

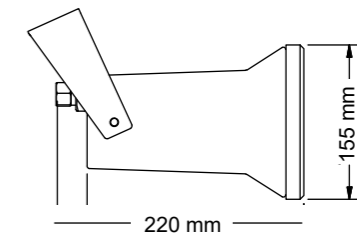


**BODY** Die cast aluminium  
**SOURCE** OSRAM PrevaLED Coin 111-220v • Chip On Board (COB) LED VOSSLOH (ON BOARD) ActiveLine LED Module  
**REGULATION** Manufactured in accordance with EN 60598-1 and CE 93/68/EOK  
**PROTECTION DEGREE AGAINST MOISTURE AND DUST** IP65  
**ACCESSORIES** Pole 7014  
**CHARACTERISTICS** CRI 80 - Reflector degrees 40° - Driver ON/OFF

## VITA L COIN LED



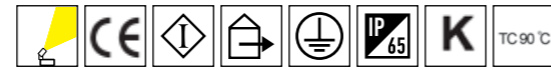
		PREVALED COIN 111 AC	
		22,5 W - 233 V	
CODE	KELVIN	LM	LM/W
762230-Color	3000K	1850	82
762240-Color	4000K	1950	87



\*Luminous flux & power consumption of led.  
 Φωτεινή ροή & κατανάλωση πυρήνα led.

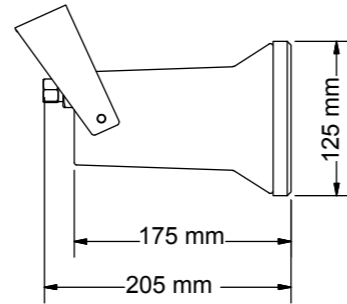
\* To create the final product code add after their original prefix the orange numbers or letters, inside the parentheses, according to your choice. \*\*Available in other colours, see page 10.

# OUTDOOR PROJECTORS

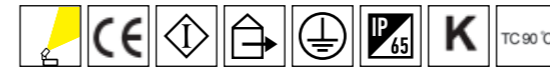


**BODY** Die cast aluminium  
**SOURCE** GU10 • E27  
**REGULATION** Manufactured in accordance with EN 60598-1 and CE 93/68/EOK  
**PROTECTION DEGREE AGAINST MOISTURE AND DUST** IP65  
**ACCESSORIES** Pole 7014 and pole aluminium 7014

## VITA S

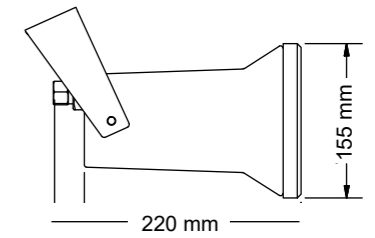


CODE	DESCRIPTION	LAMPHOLDER
7621	VITA S GU10	GU10
7627	PAR 20	E27



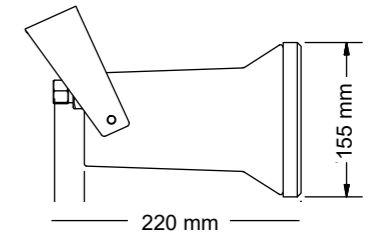
**BODY** Die cast aluminium  
**SOURCE** R111 • GU10 • E27  
**REGULATION** Manufactured in accordance with EN 60598-1 and CE 93/68/EOK  
**PROTECTION DEGREE AGAINST MOISTURE AND DUST** IP65  
**ACCESSORIES** Pole aluminium 7014

## VITA L R111



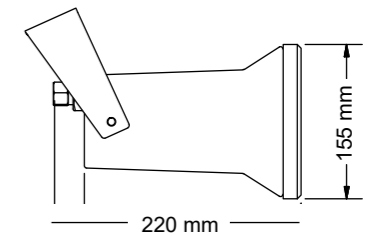
CODE	DESCRIPTION	LAMPHOLDER
7622	VITA L R111 (WITH BUILT IN TRANSFORMER)	R111

## VITA L ES111



CODE	DESCRIPTION	LAMPHOLDER
7620	VITA L ES111	GU10

## VITA L PAR 30 E27



CODE	DESCRIPTION	LAMPHOLDER
7636	VITA L PAR30	E27

# OUTDOOR PROJECTORS



**BODY** Brass, with brass screws and glass cover of 5mm  
**SOURCE** VOSSL0H ReadyLine COB (ON BOARD)  
**REGULATION** Manufactured in accordance with EN 60598-1 and CE 93/68/EOK  
**PROTECTION DEGREE AGAINST MOISTURE AND DUST** IP65  
**ACCESSORIES** Pole 7013 Cable management box included

## OXYGEN COB LED

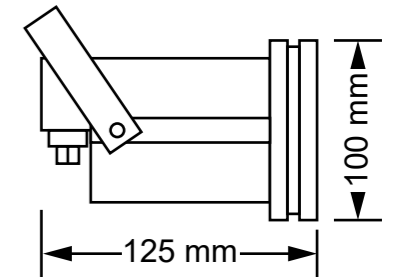
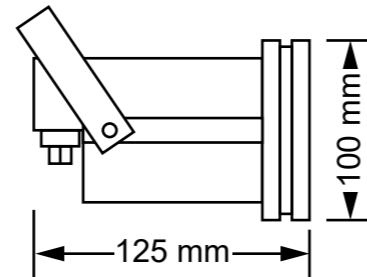


COLOUR TEMPERATURE KELVIN	4W		6W		8W	
	Lm	Lm/W	Lm	Lm/W	Lm	Lm/W
3000K	352	88	498	83	656	82
4000K	368	92	522	87	688	86

\*Luminous flux & power consumption of led. Φωτεινή ροή & κατανάλωση πυρήνα led.

CODE*	WATT	KELVIN	CRI	REFLECTOR DEGREES	LED DRIVER	COLOUR
6082	4W (04)	3000K (3)	80 (8)	12° (12)	ON - OFF (C)	WHITE (-01)
	6W (06)			24° (24)		BLACK (-03)
	8W (08)	4000K (4)	90 (9)	40° (40)	BASE MOUNTING** (A)	ALUMINUM (-26)
						OTHER*** (-XX)
FINAL CODE						
6082	-- (WATT)	-- (KELVIN)	-- (CRI)	-- (REFLECTOR DEGREES)	-- (LED DRIVER)	-- (COLOUR)

\* Για να δημιουργήσετε τον τελικό κωδικό του προϊόντος που επιθυμείτε, προσθέστε μετά τον αρχικό κωδικό τους πορτοκαλί αριθμούς ή γράμματα που βρίσκονται μέσα στις παρενθέσεις ανάλογα με την επιλογή σας. \*\*Πρόθεμα "A" για στήριξη με βάση οροφής. \*\*\*Διαθέσιμο και σε άλλα χρώματα από το χρωματολόγιο στη σελίδα 10.



## OXYGEN 1 GU10

**BODY** Brass, with brass screws and glass cover of 5mm  
**LAMPHOLDER** GU10  
**REGULATION** Manufactured in accordance with EN 60598-1 and CE 93/68/EOK  
**PROTECTION DEGREE AGAINST MOISTURE AND DUST** IP65  
**ACCESSORIES** Pole 7013 Cable management box included



CODE	DESCRIPTION	LAMPHOLDER
6082	OXYGEN 1 GU10	GU10

## OXYGEN 1/A GU10



CODE	DESCRIPTION	LAMPHOLDER
6082/A	OXYGEN 1/A GU10	GU10

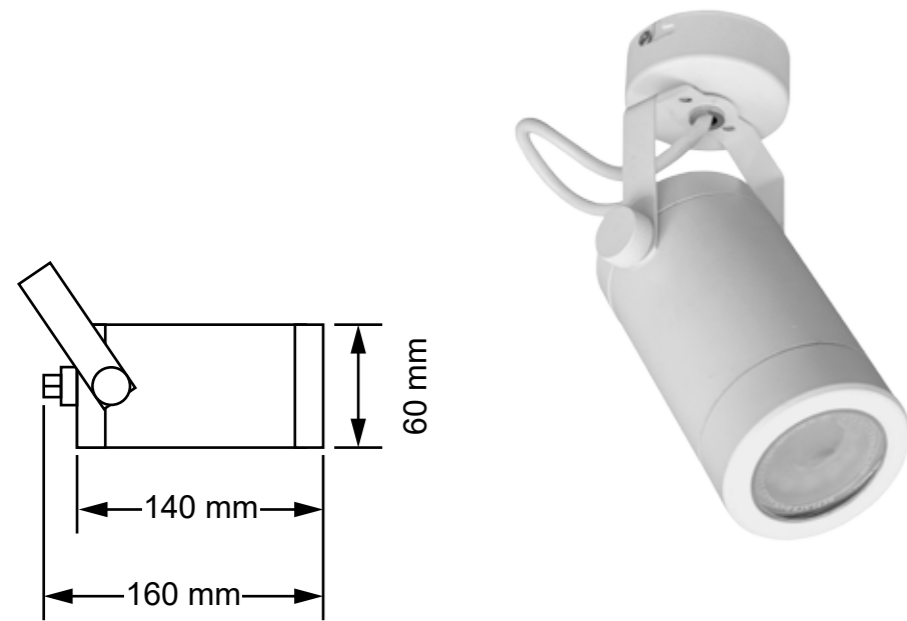
# OUTDOOR PROJECTORS



<b>BODY</b>	Aluminium
<b>SOURCE</b>	VOSSLÖH MODULE READYLINE COB (230V) • OSRAM PrevaLED Coin 50g2 Module (ON BOARD)
<b>REGULATION</b>	Manufactured in accordance with EN 60598-1 and CE 93/68/EOK
<b>PROTECTION DEGREE AGAINST MOISTURE AND DUST</b>	IP65
<b>ACCESSORIES</b>	Pole 7013  Base Prefix A

<b>BODY</b>	Aluminium
<b>LAMPHOLDER</b>	GU10
<b>REGULATION</b>	Manufactured in accordance with EN 60598-1 and CE 93/68/EOK
<b>PROTECTION DEGREE AGAINST MOISTURE AND DUST</b>	IP65
<b>ACCESSORIES</b>	Pole 7013

## FOCUS GROUND LED



CODE*	WATT	KELVIN	CRI	REFLECTOR DEGREES	LED DRIVER	COLOUR
 7027	6,2W (6)	3000K (3)	80 (8)	12° (12)	ON-OFF (C)	BLACK (-03)
		4000K (4)	90 (9)	24° (24)		ALUMINUM (-01)
				40° (40)		OTHER** (-XX)
 7027	9,2W (09)	3000K (3)	80 (8)	12° (12)	BASE MOUNTING** (A)	BLACK (-03)
		4000K (4)	90 (9)	24° (24)		ALUMINUM (-01)
				40° (40)		OTHER** (-XX)
<b>FINAL CODE</b>						
7027	---	--	--	--	-	-
	(WATT)	(KELVIN)	(CRI)	(REFLECTOR DEGREES)	(LED DRIVER)	(COLOUR)

### LED VOSSLÖH ActiveLine LED Module

KELVIN	6,2W @350 mA	
	Lm	Lm/W
3000	615	99
4000	645	104

\*Luminous flux & power consumption of led.  
Φωτεινή ροή & κατανάλωση πυρήνα led.

### OSRAM PrevaLED Coin 50G2 Module

KELVIN	9,2 W	
	Lm	Lm/W
3000	800	87
4000	830	90

\*Luminous flux & power consumption of led.  
Φωτεινή ροή & κατανάλωση πυρήνα led.

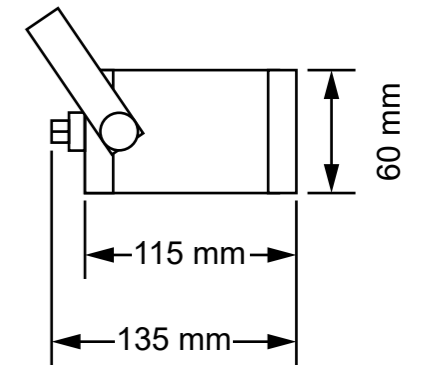
\* Για να δημιουργήσετε τον τελικό κωδικό του προϊόντος που επιθυμείτε, προσθέστε μετά τον αρχικό κωδικό τους πορτοκαλί αριθμούς ή γράμματα που βρίσκονται μέσα στις παρενθέσεις ανάλογα με την επιλογή σας. \*\*Πρόθεμα "A" για στήριξη με βάση οροφής. \*\*\* Διαθέσιμο και σε άλλα χρώματα από το χρωματολόγιο στη σελίδα 10.

## FOCUS GROUND GU 10



CODE	DESCRIPTION	LAMPHOLDER
7027	FOCUS 1	GU10

## FOCUS 1/A GU10



CODE	DESCRIPTION	LAMPHOLDER
7027/A	FOCUS 1/A	GU10

\* To create the final product code add after the prefix, the colour code you wish from the available colours, see page 10.

# OUTDOOR PROJECTORS



<b>BODY</b>	Aluminium Processed
<b>SOURCE</b>	VOSSLOH ReadyLine COB (ON BOARD)
<b>REGULATION</b>	Manufactured in accordance with EN 60598-1 and CE 93/68/EOK
<b>PROTECTION DEGREE AGAINST MOISTURE AND DUST</b>	IP65
<b>ACCESSORIES</b>	Pole 7013

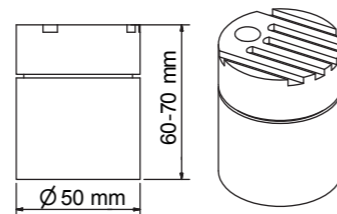
## ALFA AC LED



COLOUR TEMPERATURE KELVIN	4W		6W		8W	
	Lm	Lm/W	Lm	Lm/W	Lm	Lm/W
3000K	352	88	498	83	656	82
4000K	368	92	522	87	688	86

\*Luminous flux & power consumption of led. Φωτεινή ροή & κατανάλωση πυρήνα led.

CODE*	WATT	KELVIN	CRI	REFLECTOR DEGREES	LED DRIVER	COLOUR
7028	4W (04)	3000K (3)	80 (8)	12° (12)	ON - OFF (C)	WHITE (-01)
	24° (24)			BLACK (-03)		
	8W (08)	4000K (4)	90 (9)	40° (40)	BASE MOUNTING (A)	ALUMINUM (-26)
FINAL CODE						
7028	-- (WATT)	-- (KELVIN)	-- (CRI)	-- (REFLECTOR DEGREES)	-- (LED DRIVER)	-- (COLOUR)

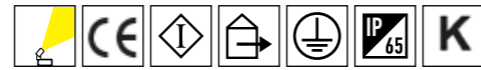


\* Για να δημιουργήσετε τον τελικό κωδικό του προϊόντος που επιθυμείτε, προσθέστε μετά τον αρχικό κωδικό τους πορτοκαλί αριθμούς ή γράμματα που βρίσκονται μέσα στις παρενθέσεις ανάλογα με την επιλογή σας. \*\*Πρόθεμα "A" για στήριξη με βάση οροφής. \*\*\*Διαθέσιμο και σε άλλα χρώματα από το χρωματολόγιο στη σελίδα 10.





# OUTDOOR PROJECTORS

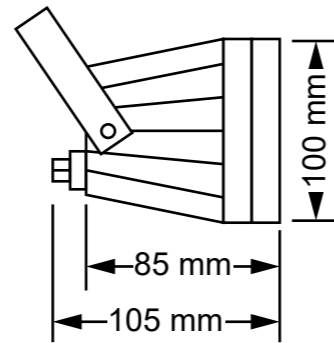


**BODY** Cast pressed aluminium • Glass cover 5mm • Stainless steel screws  
**LAMPHOLDER** GU10  
**REGULATION** Manufactured in accordance with EN 60598-1 and CE 93/68/EOK  
**PROTECTION DEGREE AGAINST MOISTURE AND DUST** IP65  
**ACCESSORIES** Pole 7013

## TANGO 1A



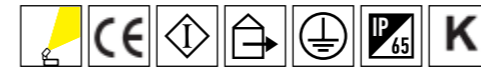
CODE	DESCRIPTION	LAMPHOLDER
6002/A	TANGO 1/A with base	GU10



## TANGO 1

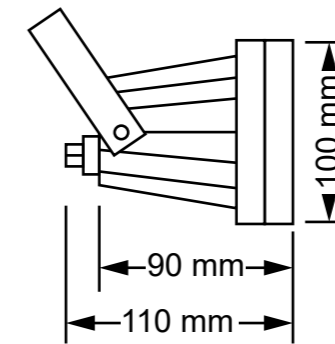


CODE	DESCRIPTION	LAMPHOLDER
6002	TANGO 1	GU10



**BODY** Cast pressed aluminium • Glass cover 5mm • Stainless steel screws  
**LAMPHOLDER** G9/G53  
**REGULATION** Manufactured in accordance with EN 60598-1 and CE 93/68/EOK  
**PROTECTION DEGREE AGAINST MOISTURE AND DUST** IP65  
**ACCESSORIES** Pole 7013

## LUNA 1A



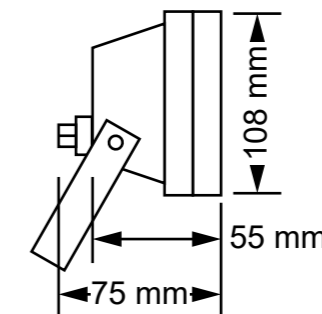
CODE	DESCRIPTION	LAMPHOLDER
6032/A	LUNA 1/A with base	GU10

## LUNA 1



CODE	DESCRIPTION	LAMPHOLDER
6032	LUNA 1	GU10

## CHIOS 1/A



CODE	DESCRIPTION	LAMPHOLDER
7571/A	CHIOS 1/A with base	G53
7551/A	CHIOS 1/A with base	G9

## CHIOS 1



CODE	DESCRIPTION	LAMPHOLDER
7551	CHIOS 1	G53
7571	CHIOS 1	G9

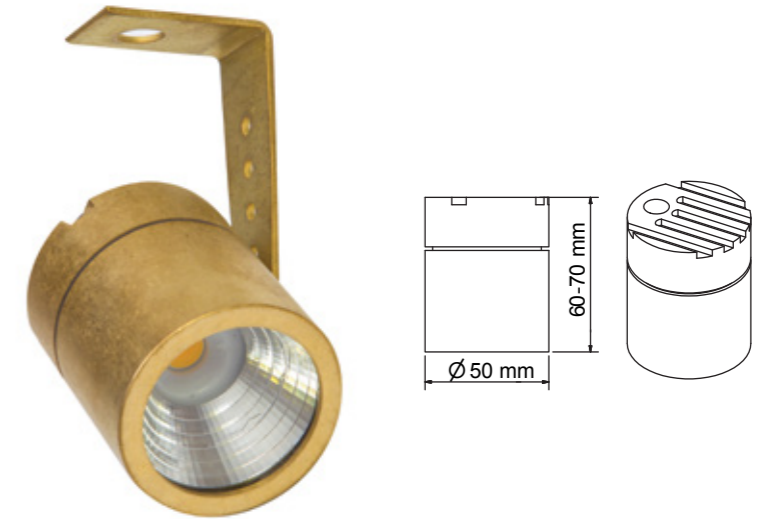


## OUTDOOR PROJECTORS BRASS



<b>BODY</b>	Aluminium Processed
<b>SOURCE</b>	VOSSLOH ReadyLine COB (ON BOARD)
<b>REGULATION</b>	Manufactured in accordance with EN 60598-1 and CE 93/68/EOK
<b>PROTECTION DEGREE AGAINST MOISTURE AND DUST</b>	IP65
<b>ACCESSORIES</b>	Pole brass 15 cm (70130P)  Base Prefix A

## ALFA AC BRASS LED



COLOUR TEMPERATURE KELVIN	4W		6W		8W	
	Lm	Lm/W	Lm	Lm/W	Lm	Lm/W
3000K	352	88	498	83	656	82
4000K	368	92	522	87	688	86

\*Luminous flux & power consumption of led. Φωτεινή ροή & κατανάλωση πυρίνα led.

CODE*	WATT	KELVIN	CRI	REFLECTOR DEGREES	LED DRIVER	COLOUR
7028 OP	4W (4)	3000K (3)	80 (8)	12° (1)	ON - OFF (C)	WHITE (-01)
	6W (6)			24° (2)		BLACK (-03)
	8W (8)	4000K (4)	90 (9)	40° (4)	BASE (A)	ALUMINUM (-26)
FINAL CODE						
7028 OP	-- (WATT)	-- (KELVIN)	-- (CRI)	-- (REFLECTOR DEGREES)	-- (LED DRIVER)	-- (COLOUR)

\* Για να δημιουργήσετε τον τελικό κωδικό του προϊόντος που επιθυμείτε, προσθέστε μετά τον αρχικό κωδικό τους πορτοκαλί αριθμούς ή γράμματα που βρίσκονται μέσα στις παρενθέσεις ανάλογα με την επιλογή σας. \*\*Πρόθεμα "A" για στήριξη με βάση οροφής. \*\*\*Διαθέσιμο και σε άλλα χρώματα από το χρωματολόγιο στη σελίδα 10.

## OUTDOOR PROJECTORS BRASS



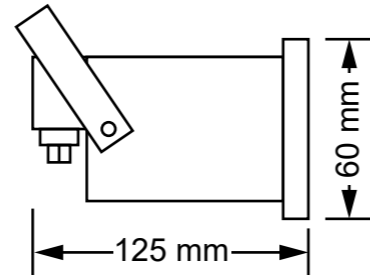
<b>BODY</b>	Brass with brass screws and glass cover of 5 mm
<b>SOURCE</b>	VOSSLOH MODULE READYLINE COB (230V) (ON BOARD)
<b>REGULATION</b>	Manufactured in accordance with EN 60598-1 and CE 93/68/EOK
<b>PROTECTION DEGREE AGAINST MOISTURE AND DUST</b>	IP65
<b>ACCESSORIES</b>	Pole brass 15cm (70130P)  Pole brass 30cm (70140P)

### OXYGEN BRASS COB LED



COLOUR TEMPERATURE KELVIN	4W		6W		8W	
	Lm	Lm/W	Lm	Lm/W	Lm	Lm/W
3000K	352	88	498	83	656	82
4000K	368	92	522	87	688	86

\*Luminous flux & power consumption of led. Φωτεινή ροή & κατανάλωση πυρήνα led.



CODE*	WATT	KELVIN	CRI	REFLECTOR DEGREES	LED DRIVER	COLOUR
6681 OP	4W (4)	3000K (3)	80 (8)	12° (1)	ON - OFF (C)	WHITE (-01)
	6W (6)			24° (2)		BLACK (-03)
	8W (8)	4000K (4)	90 (9)	40° (4)	BASE MOUNTING** (A)	ALUMINUM (-26)
FINAL CODE						
6681 OP	-- (WATT)	-- (KELVIN)	-- (CRI)	-- (REFLECTOR DEGREES)	-- (LED DRIVER)	-- (COLOUR)

\* Για να δημιουργήσετε τον τελικό κωδικό του προϊόντος που επιθυμείτε, προσθέστε μετά τον αρχικό κωδικό τους πορτοκαλί αριθμούς ή γράμματα που βρίσκονται μέσα στις παρενθέσεις ανάλογα με την επιλογή σας. \*\*\*Διαθέσιμο και σε άλλα χρώματα από το χρωματολόγιο στη σελίδα 10.



<b>BODY</b>	Brass, with brass screws and glass cover of 5mm
<b>LAMPHOLDER</b>	GU10
<b>REGULATION</b>	Manufactured in accordance with EN 60598-1 and CE 93/68/EOK
<b>PROTECTION DEGREE AGAINST MOISTURE AND DUST</b>	IP65
<b>ACCESSORIES</b>	Pole brass 15cm (70130P)  Pole brass 30cm (70140P)

### OXYGEN BRASS GU10



CODE	DESCRIPTION	LAMPHOLDER
6681 OP	OXYGEN BRASS GU10	GU10

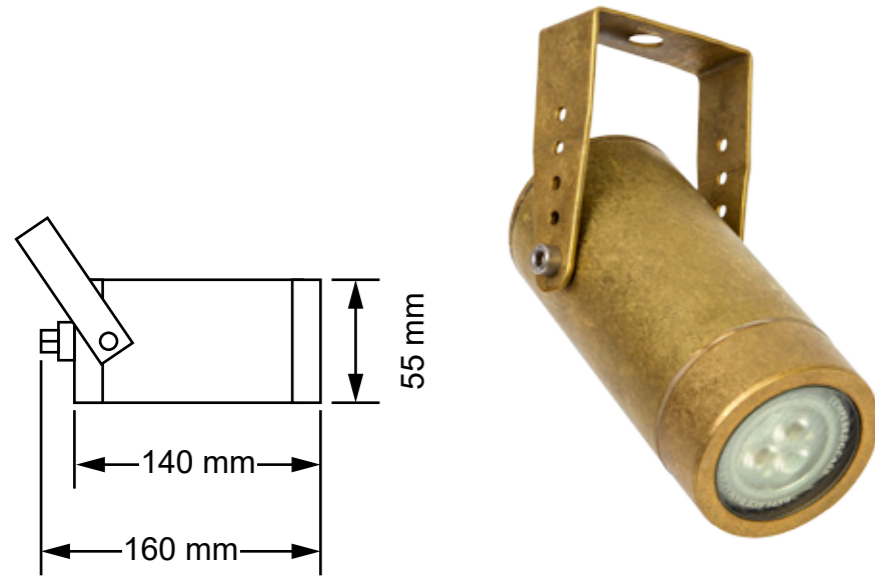


## OUTDOOR PROJECTORS BRASS



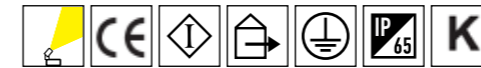
<b>BODY</b>	Pressed Brass
<b>SOURCE</b>	VOSSLOH MODULE READYLINE COB (230V) • OSRAM PrevaLED Coin 50g2 Module (ON BOARD)
<b>REGULATION</b>	Manufactured in accordance with EN 60598-1 and CE 93/68/EOK
<b>PROTECTION DEGREE AGAINST MOISTURE AND DUST</b>	IP65
<b>ACCESSORIES</b>	Pole brass 15cm (70130P)  Pole brass 30cm (70140P)

### FOCUS 1 BRASS COB LED



CODE*	WATT	KELVIN	CRI	REFLECTOR DEGREES	LED DRIVER	COLOUR
 7026 OP	6,2W (6)	3000K (3)	80 (8)	12° (1)	ON-OFF (C)	BLACK (-03)
		4000K (4)	90 (9)	24° (2)		ALUMINUM (-01)
				40° (4)		OTHER** (-XX)
 7026 OP	9,2W (9)	3000K (3)	80 (8)	12° (1)	BASE MOUNTING** (A)	BLACK (-03)
		4000K (4)	90 (9)	24° (2)		ALUMINUM (-01)
				40° (4)		OTHER** (-XX)
<b>FINAL CODE</b>						
7026	---	--	--	--	-	- --
	(WATT)	(KELVIN)	(CRI)	(REFLECTOR DEGREES)	(LED DRIVER)	(COLOUR)

\* Για να δημιουργήσετε τον τελικό κωδικό του προϊόντος που επιθυμείτε, προσθέστε μετά τον αρχικό κωδικό τους πορτοκαλί αριθμούς ή γράμματα που βρίσκονται μέσα στις παρενθέσεις ανάλογα με την επιλογή σας. \*\*Πρόθεμα "A" για στήριξη με βάση οροφής. \*\*\* Διαθέσιμο και σε άλλα χρώματα από το χρωματολόγιο στη σελίδα 10.

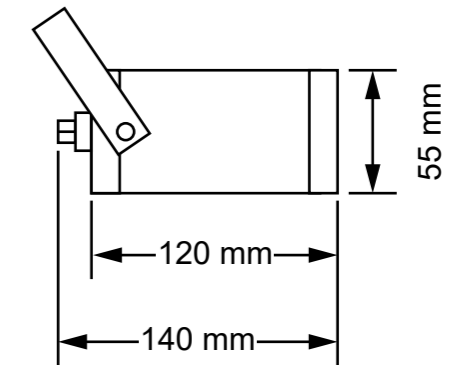


<b>BODY</b>	Pressed Brass
<b>LAMPHOLDER</b>	GU10
<b>REGULATION</b>	Manufactured in accordance with EN 60598-1 and CE 93/68/EOK
<b>PROTECTION DEGREE AGAINST MOISTURE AND DUST</b>	IP65
<b>ACCESSORIES</b>	Pole brass 15cm (70130P)  Pole brass 30cm (70140P)

### FOCUS 1 BRASS GU10



CODE	DESCRIPTION	LAMPHOLDER
7026 OP	FOCUS 1 BRASS GU10	GU10



# OUTDOOR PROCESSED BRASS

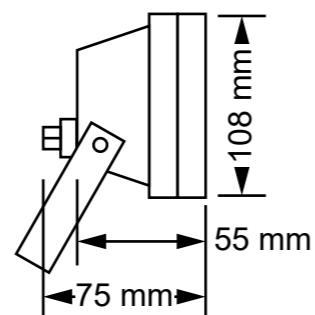


<b>BODY</b>	Brass, with brass screws and glass cover of 5mm	
<b>LAMPHOLDER</b>	G53	
<b>REGULATION</b>	Manufactured in accordance with EN 60598-1 and CE 93/68/EOK	
<b>PROTECTION DEGREE AGAINST MOISTURE AND DUST</b>	IP65	
<b>ACCESSORIES</b>	Pole brass 15cm (70130P) — Pole brass 30cm (70140P) —	

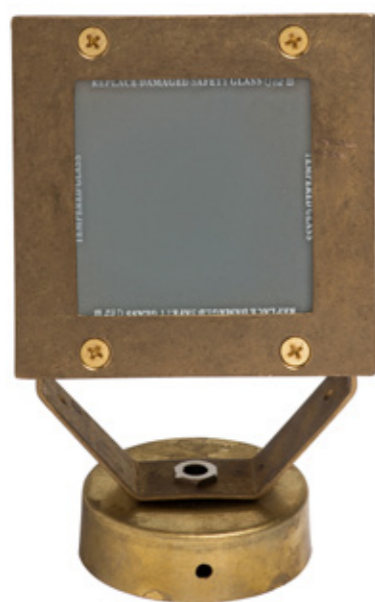
## CHIOS 1 BRASS G53



CODE	DESCRIPTION	LAMPHOLDER
755 OP	CHIOS 1 BRASS G53	G53



## CHIOS 1/A BRASS G53



CODE	DESCRIPTION	LAMPHOLDER
755/A OP	CHIOS 1/A BRASS G53	G53



# **OUTDOOR RECESSED**



# OUTDOOR RECESSED

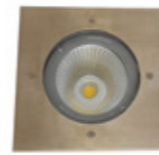


**BODY** Die cast aluminium body and INOX PAFILA cover  
**LSOURCE** OSRAM AC PRO LED Modle 230V (ON BOARD)  
**REGULATION** Manufactured in accordance with EN 60598-1 and CE 93/68/EOK  
**PROTECTION DEGREE AGAINST MOISTURE AND DUST** IP65  
**ALSO AVAILABLE WITH** Square INOX antimagnetic cover (prefix Q) • Round INOX antimagnetic cover (prefix N)  
**ACCESSORIES** Plus Siena 6050

## SIENA AC LED



Prefix IN



Prefix SQ

COLOUR TEMPERATURE KELVIN	20W		33W		40W	
	Lm	Lm/W	Lm	Lm/W	Lm	Lm/W
3000K	1816	91	2724	82	3800	90
4000K	1871	94	2806	84	3920	98

\*Luminous flux & power consumption of led. Φωτεινή ροή & κατανάλωση πυρήνα led.

CODE*	WATT	KELVIN	CRI	REFLECTOR DEGREES	LED DRIVER	COLOUR
77	20W (20)	3000K (30)	80 (80)	12° (12)	ON - OFF (C)	WHITE (-01)
	33W (33)			24° (24)		BLACK (-03)
		40W (40)		40° (40)		INOX PAFILA (-18)
				60° (60)		INOX SQ (SQ)
FINAL CODE						
77	-- (WATT)	-- (KELVIN)	-- (CRI)	-- (REFLECTOR DEGREES)	-- (LED DRIVER)	-- (COLOUR)

\* Για να δημιουργήσετε τον τελικό κωδικό του προϊόντος που επιθυμείτε, προσθέστε μετά τον αρχικό κωδικό τους πορτοκαλί αριθμούς ή γράμματα που βρίσκονται μέσα στις παρενθέσεις ανάλογα με την επιλογή σας. \*\*\*Διαθέσιμο και σε άλλα χρώματα από το χρωματολόγιο στη σελίδα 10.



**BODY** Die cast aluminium body and INOX PAFILA cover  
**SOURCE** Chip on board (COB) LED Module (ON BOARD)  
**REGULATION** Manufactured in accordance with EN 60598-1 and CE 93/68/EOK  
**PROTECTION DEGREE AGAINST MOISTURE AND DUST** IP65  
**ALSO AVAILABLE WITH** Square INOX antimagnetic cover (prefix Q) • Round INOX antimagnetic cover (prefix N)  
**ACCESSORIES** Plus Siena 6051

## SIENA COB LED



Prefix IN



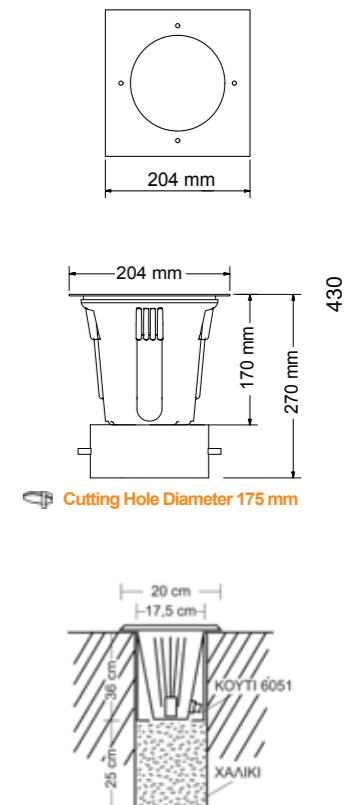
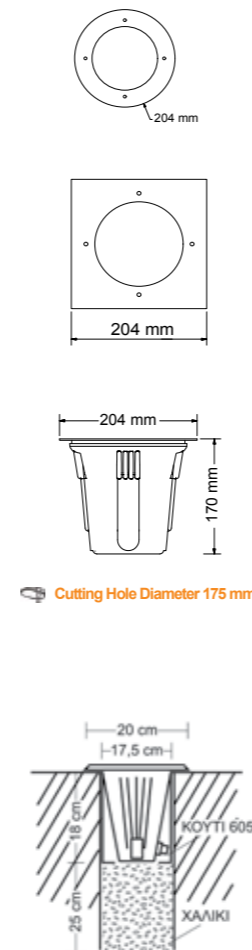
Prefix SQ

KELVIN	23,2W @700mA		30,4W @900mA		35,9W @1050mA		49,3W @1400mA		60	
	Lm	Lm/W	Lm	Lm/W	Lm	Lm/W	Lm	Lm/W	Lm	Lm/W
3000	3899	168	4888	161	5596	156	7247	147	830	140
4000	4115	177	5159	170	5907	165	7638	155	8600	143

\*Luminous flux & power consumption of led. Φωτεινή ροή & κατανάλωση πυρήνα led.

CODE*	WATT	KELVIN	CRI	REFLECTOR DEGREES	LED DRIVER	COLOUR	
77	23,3W (23)	3000K (30)	80 (80)	12° (12)	ON - OFF (C)	WHITE (-01)	
	30,4W (30)			24° (24)		BLACK (-03)	
			35,9W (35)	40° (40)		INOX PAFILA (-18)	
	49,3W (49)	4000K (40)	97 (97)	60° (60)		DIM 1-10V (V)	INOX ANTIMAGNETIC (IN)
	60W (60)			INOX SQ (SQ)			
FINAL CODE							
77	-- (WATT)	-- (KELVIN)	-- (CRI)	-- (REFLECTOR DEGREES)	-- (LED DRIVER)	-- (COLOUR)	

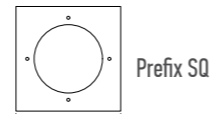
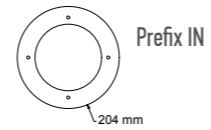
\* To create the final product code add after their original prefix the orange numbers or letters, inside the parentheses, according to your choice. \*\*Available in other colours, see page 10.



## OUTDOOR RECESSED



<b>BODY</b>	Top cover made of stainless steel • Glass cover 5mm • Stainless steel screws
<b>LAMPHOLDER</b>	R111 • PAR 30 • E27
<b>REGULATION</b>	Manufactured in accordance with EN 60598-1 and CE 93/68/EOK
<b>PROTECTION DEGREE AGAINST MOISTURE AND DUST</b>	IP65
<b>ALSO AVAILABLE WITH</b>	Square INOX antimagnetic cover (prefix Q) • <b>Round INOX antimagnetic cover (prefix N)</b>
<b>ACCESSORIES</b>	Plus Siena 6050



### SIENA R111



CODE	DESCRIPTION	LAMPHOLDER
7601/K-18	SIENA R111 INOX PAFILA MOVABLE	R111
7601/K-INA	SIENA R111 INOX MOVABLE	R111
7601-1 INA	SIENA R111 INOX SQ	R111
7604-18	SIENA ES111	GU10

### SIENA PAR 30



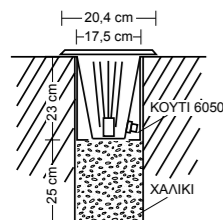
CODE	DESCRIPTION	LAMPHOLDER
7605-18	SIENA PAR 30 INOX PAFILA	E27
7605-INA	SIENA PAR 30 INOX	E27
7605-1 IN	SIENA PAR 30 SQ	E27
7618-18	SIENA PAR 38	E27

### SIENA E27



CODE	DESCRIPTION	LAMPHOLDER
7619-18	SIENA E27 INOX PAFILA	E27
7619 IN	SIENA E27 INOX	E27
7619-1 IN	SIENA E27 SQ	E27

60 Degree Reflector





# OUTDOOR RECESSED



**BODY** INOX cover and die cast aluminium body  
**SOURCE** Chip on board (COB) LED VOSSL0H ActiveLine LED Module • OSRAM Prevalled coin 50 G1 Module (ON BOARD)  
**FACE** Inox Antimagnetic  
**REGULATION** Manufactured in accordance with EN 60598-1 and CE 93/68/EOK  
**PROTECTION DEGREE AGAINST MOISTURE AND DUST** IP65  
**ACCESSORIES** Plus Vita 6070

**BODY** Aluminium Inox Antimagnetic Cover  
**SOURCE** Chip on board (COB) • OSRAM Prevalled coin 50 G2 Module (ON BOARD)  
**FACE** Inox Antimagnetic  
**REGULATION** Manufactured in accordance with EN 60598-1 and CE 93/68/EOK  
**PROTECTION DEGREE AGAINST MOISTURE AND DUST** IP65  
**ACCESSORIES** Plus Vita 6071

## VITA S2 COB LED



LED VOSSL0H ActiveLine LED Module

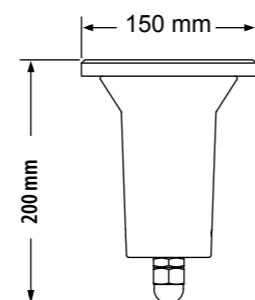
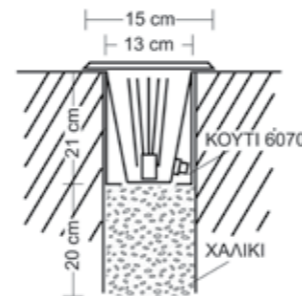
COLOUR TEMPERATURE KELVIN	6,2W @350mA		9,3W @350mA	
	Lm	Lm/W	Lm	Lm/W
3000K	615	99	1200	129
4000K	645	104	1252	135

OSRAM PrevalLED Coin 50G1 Module

COLOUR TEMPERATURE KELVIN	10,7W @350mA		12,9W @350mA	
	Lm	Lm/W	Lm	Lm/W
3000K	1100	103	1360	105
4000K	1200	112	1430	111

CODE*	WATT	KELVIN	CRI	REFLECTOR DEGREES	LED DRIVER	COLOUR
7629	6,2W (6)	3000K (3)	80 (8)	12° (12)	ON - OFF (C)	WHITE (-01)
	9,3W (9)	4000K (4)		25° (25)		BLACK (-03)
				36° (36)		INOX (IN)
7640	10,7W (1)	3000K (3)	80 (8)	24° (24)	ON - OFF (C)	WHITE (-01)
	12,9W (3)	4000K (4)		40° (40)		BLACK (-03)
				OTHER** (-XX)		
FINAL CODE						
76	---	---	---	---	---	---
	(WATT)	(KELVIN)	(CRI)	(REFLECTOR DEGREES)	(LED DRIVER)	(COLOUR)

\*Luminus flux & power consumption of led. Φωτεινή ποή & κατανάλωση πυρήνα led.

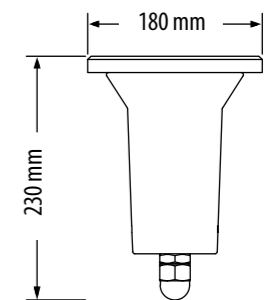
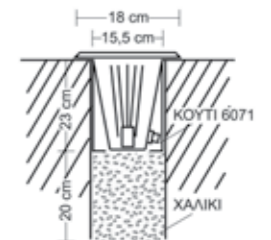


Cutting Hole Diameter 130 mm

## VITA L2 COIN LED



CODE	WATT	KELVIN	LM	LM/W
7611130-Color	22.5 W	3000 K	1850 Lm	82 Lm/W
7611140-Color	22.5 W	4000 K	1950 Lm	87 Lm/W

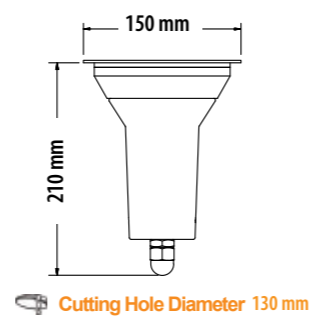
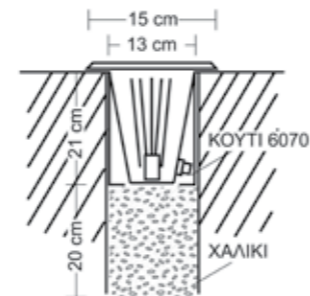


Cutting Hole Diameter 130 mm

**BODY** INOX cover and die cast aluminium body  
**SOURCE** GU E27  
**REGULATION** Manufactured in accordance with EN 60598-1 and CE 93/68/EOK  
**PROTECTION DEGREE AGAINST MOISTURE AND DUST** IP65  
**ACCESSORIES** Plus Vita 6070

**BODY** INOX cover and die cast aluminium body  
**SOURCE** R111 - GU10 - E27  
**REGULATION** Manufactured in accordance with EN 60598-1 and CE 93/68/EOK  
**PROTECTION DEGREE AGAINST MOISTURE AND DUST** IP65  
**ACCESSORIES** Plus Vita 6071

## VITA S2



CODE	DESCRIPTION	LAMP HOLDER
7640-IN	Vita S2 230 V	GU10
7641-IN	Vita S2 Par 20	E27

## VITA L2

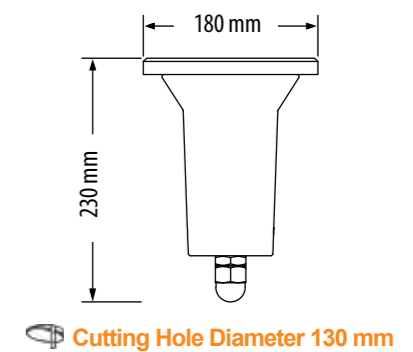
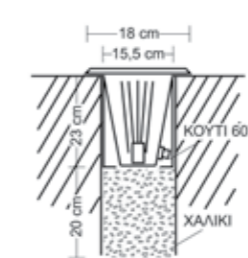


CODE	DESCRIPTION	LAMP HOLDER
7643-IN	R111	G53

CODE	DESCRIPTION	LAMP HOLDER
7644-IN	ES111	GU10



CODE	DESCRIPTION	LAMP HOLDER
76453-IN	Par 30	E 27



\* To create the final product code add after their original prefix the orange numbers or letters, inside the parentheses, according to your choice. \*\*Available in other colours, see page 10.

## OUTDOOR RECESSED



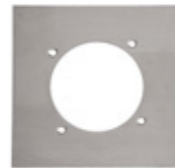
<b>BODY</b>	Die cast aluminium body and INOX PAFILA cover
<b>SOURCE</b>	Vossloh led module Ready line cob 230V (ON BOARD)
<b>REGULATION</b>	Manufactured in accordance with EN 60598-1 and CE 93/68/EOK
<b>PROTECTION DEGREE AGAINST MOISTURE AND DUST</b>	IP65
<b>ACCESSORIES</b>	Plastic box for placing OXYGEN 2 COB LED luminaire on concrete <b>6060</b>

## OXYGEN 2 COB LED

### INOX PAFILA



INOX ANTIMAGNETIC



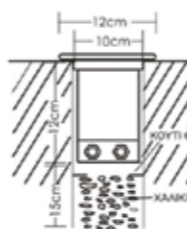
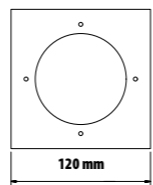
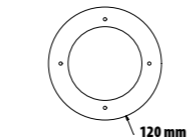
SQ

KELVIN	4W		6W	
	Lm	Lm/W	Lm	Lm/W
3000K	352	88	498	83
4000K	368	92	522	84

CODE*	WATT	KELVIN	CRI	REFLECTOR DEGREES	LED DRIVER	COLOUR
6193	4W (4)	3000K (3)	80 (8)	12° (12)	ON - OFF (C)	WHITE (-01)
			90 (9)	24° (24)		BLACK (-03)
	6W (6)	4000K (4)	97 (7)	40° (40)		INOX PAFILA (-18)
				60° (60)		INOX ANTIMAGNETIC (IN)
FINAL CODE						
6193	-- (WATT)	-- (KELVIN)	-- (CRI)	-- (REFLECTOR DEGREES)	-- (LED DRIVER)	-- (COLOUR)

\* Για να δημιουργήσετε τον τελικό κωδικό του προϊόντος που επιθυμείτε, προσθέστε μετά τον αρχικό κωδικό τους πορτοκαλί αριθμούς ή γράμματα που βρίσκονται μέσα στις παρενθέσεις ανάλογα με την επιλογή σας. \*\*\*Διαθέσιμο και σε άλλα χρώματα από το χρωματολόγιο στη σελίδα 10.

Cover Diameter: 12 cm  
Depth: 12 cm  
Cutting Hole: 10 cm

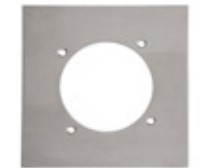


<b>BODY</b>	Cast pressed aluminium • Glass cover 5mm • Stainless steel screws
<b>LAMPHOLDER</b>	GU10
<b>REGULATION</b>	Manufactured in accordance with EN 60598-1 and CE 93/68/EOK
<b>PROTECTION DEGREE AGAINST MOISTURE AND DUST</b>	IP65
<b>ACCESSORIES</b>	Plastic box for placing OXYGEN 2-3-4-5-SQ luminaire on concrete <b>6060</b>

## OXYGEN 2

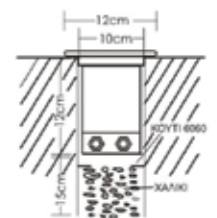


INOX ANTIMAGNETIC



SQ

CODE	DESCRIPTION	LAMPHOLDER
6193	INOX PAFILA	GU10
6193-IN	Inox Antimagnetic	GU10
6193-SQ	Square	GU10



Cover Diameter: 12 cm  
Depth: 12 cm  
Cutting Hole: 10 cm

## OUTDOOR RECESSED



<b>BODY</b>	Cast pressed aluminium • Glass cover 5mm • Stainless steel screws
<b>LAMPHOLDER</b>	GU10
<b>REGULATION</b>	Manufactured in accordance with EN 60598-1 and CE 93/68/EOK
<b>PROTECTION DEGREE AGAINST MOISTURE AND DUST</b>	IP65
<b>ACCESSORIES</b>	Plastic box for placing OXYGEN 2-3-4-5-SQ luminaire on concrete <b>6060</b>

### OXYGEN 3



CODE	DESCRIPTION	LAMPHOLDER
<b>6143-Colour</b>	OXYGEN 3	GU10

### OXYGEN 4



CODE	DESCRIPTION	LAMPHOLDER
<b>6114-Colour</b>	OXYGEN 4 WITH 4 HOLES	GU10
<b>6113-Colour</b>	OXYGEN 4 WITH 2 HOLES	GU10

\*\*\* Διαθέσιμο και σε άλλα χρώματα από το χρωματολόγιο στη σελίδα 10.

### OXYGEN 5



CODE	DESCRIPTION	LAMPHOLDER
<b>6115-Colour</b>	OXYGEN 5	GU10



<b>BODY</b>	Processed
<b>SOURCE</b>	VOSSL0H ReadyLine COB (ON BOARD)
<b>REGULATION</b>	Manufactured in accordance with EN 60598-1 and CE 93/68/EOK
<b>PROTECTION DEGREE AGAINST MOISTURE AND DUST</b>	IP65
<b>ACCESSORIES</b>	Plus Alfa 7036

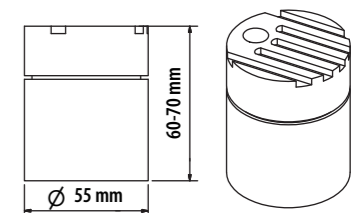
### ALFA 2 AC LED



COLOUR TEMPERATURE KELVIN	4W		6W		8W	
	Lm	Lm/W	Lm	Lm/W	Lm	Lm/W
3000K	352	88	498	83	656	82
4000K	368	92	522	87	688	86

\*Luminus flux & power consumption of led. Φωτεινή ροή & κατανάλωση πυρίνα led.

CODE*	WATT	KELVIN	CRI	REFLECTOR DEGREES	LED DRIVER	COLOUR
<b>7023</b>	4W (4)	3000K (3)	80 (8)	12° (12)	ON - OFF (C)	WHITE (-01)
	6W (6)			24° (24)		BLACK (-03)
	8W (8)	4000K (4)	90 (9)	40° (40)		ALUMINUM (-26)
FINAL CODE						
<b>7023</b>	-- (WATT)	-- (KELVIN)	-- (CRI)	-- (REFLECTOR DEGREES)	-- (LED DRIVER)	-- (COLOUR)



Cover Diameter 55 mm  
Depth 70 mm  
Cutting Hole 50 mm

\* Για να δημιουργήσετε τον τελικό κωδικό του προϊόντος που επιθυμείτε, προσθέστε μετά τον αρχικό κωδικό τους πορτοκαλί αριθμούς ή γράμματα που βρίσκονται μέσα στις παρενθέσεις ανάλογα με την επιλογή σας. \*\* Πρόθεμα "A" για στήριξη με βάση οροφής. \*\*\* Διαθέσιμο και σε άλλα χρώματα από το χρωματολόγιο στη σελίδα 10.

## OUTDOOR RECESSED

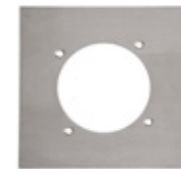


<b>BODY</b>	Cast pressed aluminium • Glass cover 5mm • Stainless steel screws
<b>LAMPHOLDER</b>	GU10 • GU5,3
<b>REGULATION</b>	Manufactured in accordance with EN 60598-1 and CE 93/68/EOK
<b>PROTECTION DEGREE AGAINST MOISTURE AND DUST</b>	IP65
<b>ACCESSORIES</b>	TANGO & TANGO-S Box made of Plastic for placing TANGO 2-3-4-5-6 luminaire on concrete - <b>6000</b>

## TANGO 2

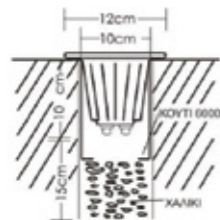


INOX ANTIMAGNETIC



SQ

**INOX PAFILA**



Cover Diameter 12 cm  
Depth 10 cm  
Cutting Hole 10 cm

CODE	DESCRIPTION	LAMPHOLDER
6020-18	TANGO 2 INOX Prafila	GU10
6020-In	Tango 2 Inox Antimagnetic	GU10
6020-SQ	Tango 2 Square	GU10

\*\*\* Διαθέσιμο και σε άλλα χρώματα από το χρωματολόγιο στη σελίδα 10.



## TANGO 3



CODE	DESCRIPTION	LAMPHOLDER
6023	TANGO 3	GU10

## TANGO 5



CODE	DESCRIPTION	LAMPHOLDER
6015	TANGO 5	GU10

## TANGO 4 WITH 4 HOLES

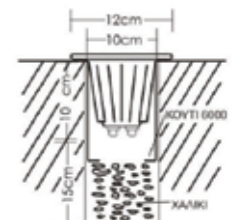


CODE	DESCRIPTION	LAMPHOLDER
6024	TANGO 4 WITH 4 HOLES	GU10

## TANGO 4 WITH 2 HOLES



CODE	DESCRIPTION	LAMPHOLDER
6014	TANGO 4 WITH 2 HOLES	GU10

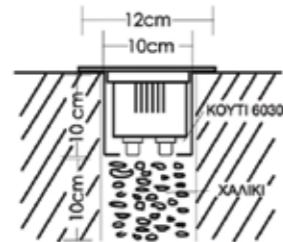


## OUTDOOR RECESSED



<b>BODY</b>	Cast pressed aluminium • Glass cover 5mm • <b>Stainless steel screws</b>
<b>LAMPHOLDER</b>	GU10
<b>REGULATION</b>	Manufactured in accordance with EN 60598-1 and CE 93/68/EOK
<b>PROTECTION DEGREE AGAINST MOISTURE AND DUST</b>	IP65

## LUNA 2

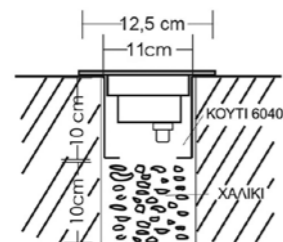


CODE	DESCRIPTION	LAMPHOLDER
6033	LUNA 2	GU10

CODE	BOX	DESCRIPTION
6030	PLUS LUNA	Metal box placing LUNA 2 luminaire on concrete

<b>BODY</b>	Cast pressed aluminium • Glass cover 5mm • Stainless steel screws
<b>LAMPHOLDER</b>	G9
<b>REGULATION</b>	Manufactured in accordance with EN 60598-1 and CE 93/68/EOK
<b>PROTECTION DEGREE AGAINST MOISTURE AND DUST</b>	IP65

## CHIOS 2



CODE	DESCRIPTION	LAMPHOLDER
6042	CHIOS 2	G9

CODE	BOX	DESCRIPTION
6040	PLUS CHIOS	Metal box placing CHIOS 2 luminaire on concrete



## OUTDOOR RECESSED WALL



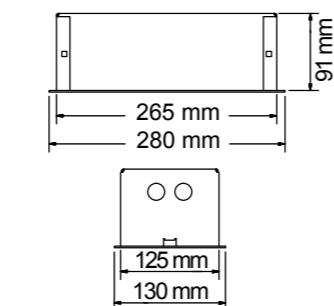
**BODY** INOX cover, steel box and die cast aluminium body  
**SOURCE** LUGA line RX LED Module (ON BOARD)  
**REGULATION** Manufactured in accordance with EN 60598-1 and CE 93/68/EOK  
**PROTECTION DEGREE AGAINST MOISTURE AND DUST** IP65

## REMO COB LED



KELVIN	8,2W @700 mA		16,4W @700 mA	
	Lm	Lm/W	Lm	Lm/W
3000	950	116	1900	116
4000	1000	122	2000	122

CODE*	WATT	KELVIN	CRI	REFLECTOR DEGREES	LED DRIVER	COLOUR
35	8,2W (13)	3000K (30)	80 (80)	78° (78)	ON - OFF (C)	WHITE (-01)
						BLACK (-03)
	16,4W (26)	4000K (40)				INOX INTIMAGNETIC (18)
						OTHER** (-XX)
FINAL CODE						
35	-- (WATT)	-- (KELVIN)	-- (CRI)	-- (REFLECTOR DEGREES)	-- (LED DRIVER)	-- (COLOUR)



✂ Cutting Hole 265 x 125 mm

Cable management box included

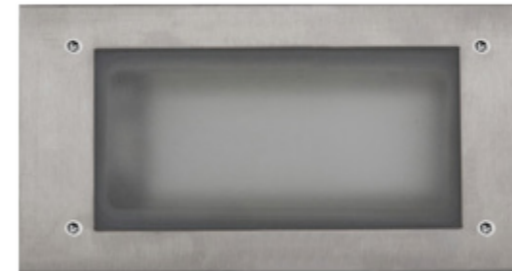
\* Για να δημιουργήσετε τον τελικό κωδικό του προϊόντος που επιθυμείτε, προσθέστε μετά τον αρχικό κωδικό τους πορτοκαλί αριθμούς ή γράμματα που βρίσκονται μέσα στις παρενθέσεις ανάλογα με την επιλογή σας. \*\*\*Διαθέσιμο και σε άλλα χρώματα από το χρωματολόγιο στη σελίδα 10.

## OUTDOOR RECESSED WALL



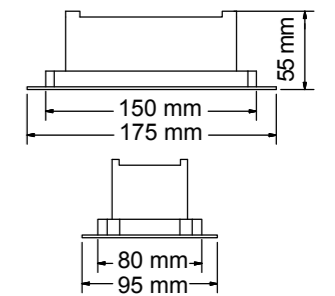
**BODY** INOX cover, steel box and die cast aluminium body  
**SOURCE** LUGA line RX LED Module (ON BOARD)  
**REGULATION** Manufactured in accordance with EN 60598-1 and CE 93/68/EOK  
**PROTECTION DEGREE AGAINST MOISTURE AND DUST** IP65

## CRONOS COB LED



KELVIN	2W @350 mA		4,1W @700 mA	
	Lm	Lm/W	Lm	Lm/W
3000	255	128	475	116
4000	270	135	500	112

CODE*	WATT	KELVIN	CRI	REFLECTOR DEGREES	LED DRIVER	COLOUR
36	2W (02)	3000K (30)	80 (80)	78° (78)	ON - OFF (C)	WHITE (-01)
						BLACK (-03)
	4,1W (04)	4000K (40)				INOX (-18)
						OTHER*** (-XX)
FINAL CODE						
36	-- (WATT)	-- (KELVIN)	-- (CRI)	-- (REFLECTOR DEGREES)	-- (LED DRIVER)	-- (COLOUR)



✂ Cutting Hole 150x 80 mm

Cable management box included

\* To create the final product code add after their original prefix the orange numbers or letters, inside the parentheses, according to your choice. \*\*Available in other colours, see page 10.

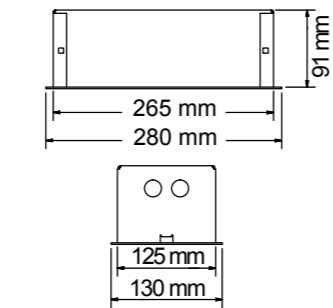
## OUTDOOR RECESSED WALL



**BODY** Cast pressed aluminium • Glass cover 5mm • Stainless steel screws  
**LAMPHOLDER** E27  
**REGULATION** Manufactured in accordance with EN 60598-1 and CE 93/68/EOK  
**PROTECTION DEGREE AGAINST MOISTURE AND DUST** IP65

**BODY** Cast pressed aluminium • Glass cover 5mm • Stainless steel screws  
**LAMPHOLDER** E27  
**REGULATION** Manufactured in accordance with EN 60598-1 and CE 93/68/EOK  
**PROTECTION DEGREE AGAINST MOISTURE AND DUST** IP65

### REMO E27



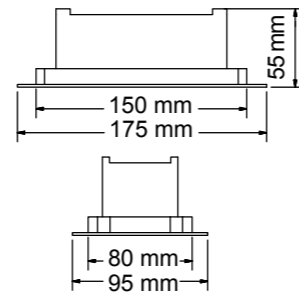
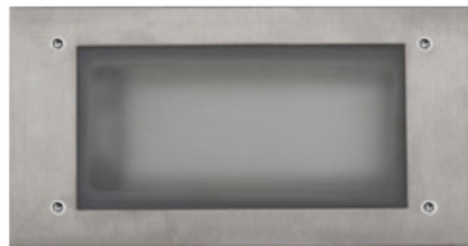
Cutting Hole 265 x 125 mm

DESCRIPTION	CODE	LAMPHOLDER
REMO E27	7050	E 27

\*Cable management box included

**BODY** Die cast aluminium • Glass cover 5mm • Stainless steel screws  
**LAMPHOLDER** G9  
**REGULATION** Manufactured in accordance with EN 60598-1 and CE 93/68/EOK  
**PROTECTION DEGREE AGAINST MOISTURE AND DUST** IP65

### CRONOS G9



Cutting Hole 150x 80 mm

DESCRIPTION	CODE	LAMPHOLDER
CRONOS G9	8143	G9

\*Cable management box included

### HERMES



CODE	DESCRIPTION	LAMPHOLDER
7093	HERMES WITH NET	E27
7092	HERMES	E27
600-TK-7092	PLUS HERMES	

230x100 mm Height 85 mm Cutting Hole 227x85 mm



## OUTDOOR RECESSED BRASS



<b>BODY</b>	Processed
<b>SOURCE</b>	VOSSL0H ReadyLine COB (ON BOARD)
<b>REGULATION</b>	Manufactured in accordance with EN 60598-1 and CE 93/68/EOK
<b>PROTECTION DEGREE AGAINST MOISTURE AND DUST</b>	IP65
<b>ACCESSORIES</b>	Plus Alfa 7036

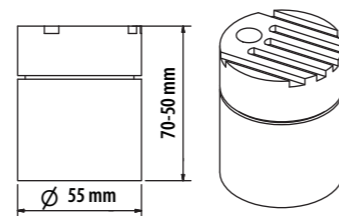
## ALFA 2 AC LED BRASS



COLOUR TEMPERATURE KELVIN	4W		6W		8W	
	Lm	Lm/W	Lm	Lm/W	Lm	Lm/W
3000K	352	88	498	83	656	82
4000K	368	92	522	87	688	86

\*Luminus flux & power consumption of led. Φωτεινή ροή & κατανάλωση πυρήνα led.

CODE*	WATT	KELVIN	CRI	REFLECTOR DEGREES	LED DRIVER	COLOUR
7023 B	4W (1)	3000K (3)	80 (8)	12° (12)	ON - OFF (C)	WHITE (-01)
	6W (2)			24° (24)		BLACK (-03)
	8W (3)	4000K (4)	90 (9)	40° (40)	BASE (A)	ALUMINUM (-26)
FINAL CODE						
7023 B	-- (WATT)	-- (KELVIN)	-- (CRI)	-- (REFLECTOR DEGREES)	-- (LED DRIVER)	-- (COLOUR)



Cover Diameter 55 cm  
Depth 70 cm  
Cutting Hole 50 cm



## Delta

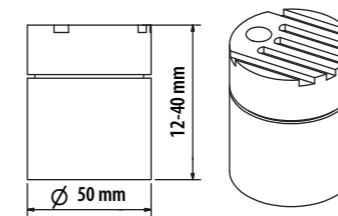


<b>BODY</b>	Aluminium profile
<b>SOURCE</b>	ReadyLine COB (ON BOARD)
<b>REGULATION</b>	Manufactured in accordance with EN 60598-1 and CE 93/68/EOK
<b>PROTECTION DEGREE AGAINST MOISTURE AND DUST</b>	IP65
<b>ACCESSORIES</b>	Plus 6036

Diameter 6 cm and height 45 cm

CODE	KELVIN	2W	2W
		Lm	mA
703930610P-Color	4000K	247	350

\*Luminus flux & power consumption of led. Φωτεινή ροή & κατανάλωση πυρήνα led.



Cover Diameter 50 cm  
Depth 12 cm  
Cutting Hole 40 cm

\* Για να δημιουργήσετε τον τελικό κωδικό του προϊόντος που επιθυμείτε, προσθέστε μετά τον αρχικό κωδικό τους πορτοκαλί αριθμούς ή γράμματα που βρίσκονται μέσα στις παρενθέσεις ανάλογα με την επιλογή σας. \*\*Πρόβλημα "A" για στήριξη με βάση οροφής. \*\*\*Διαθέσιμο και σε άλλα χρώματα από το χρωματολόγιο στη σελίδα 10.

## OUTDOOR RECESSED BRASS



<b>BODY</b>	Top cover made of Brass
<b>SOURCE</b>	VOSSL0H led module Ready line COB 230V (ON BOARD)
<b>REGULATION</b>	Manufactured in accordance with EN 60598-1 and CE 93/68/EOK
<b>PROTECTION DEGREE AGAINST MOISTURE AND DUST</b>	IP65
<b>ALSO AVAILABLE WITH</b>	Square INOX antimagnetic cover (prefix 6084) • Round INOX antimagnetic cover (prefix N)
<b>ACCESORIES</b>	Plus oxygen 6060

## OXYGEN 2 BRASS COB LED



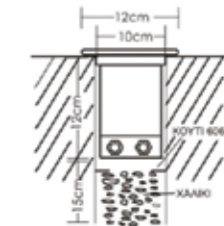
CODE*	WATT	KELVIN	CRI	REFLECTOR DEGREES	LED DRIVER	COLOUR
6682	4W (04)	3000K (3)	80 (8)	12° (12)	ON - OFF (C)	WHITE (-01)
			90 (9)	24° (24)		BLACK (-03)
	6W (06)	4000K (4)	97 (7)	40° (40)		ALUMINUM (-26)
				60° (60)		OTHER** (-XX)
<b>FINAL CODE</b>						
6682	-- (WATT)	-- (KELVIN)	-- (CRI)	-- (REFLECTOR DEGREES)	-- (LED DRIVER)	-- (COLOUR)

\* Για να δημιουργήσετε τον τελικό κωδικό του προϊόντος που επιθυμείτε, προσθέστε μετά τον αρχικό κωδικό τους **πορτοκαλί αριθμούς ή γράμματα** που βρίσκονται μέσα στις παρενθέσεις ανάλογα με την επιλογή σας. \*\* Πρόβλημα για στήριξη με βάση οροφής. \*\*\* Διαθέσιμο και σε άλλα χρώματα από το χρωματολόγιο στη σελίδα 10.



<b>BODY</b>	Brass • Glass cover 5mm • Brass screws
<b>LAMPHOLDER</b>	GU10
<b>REGULATION</b>	Manufactured in accordance with EN 60598-1 and CE 93/68/EOK
<b>PROTECTION DEGREE AGAINST MOISTURE AND DUST</b>	IP65
<b>ACCESORIES</b>	Plus oxygen 6060

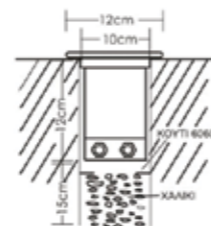
## OXYGEN 2 BRASS GU10



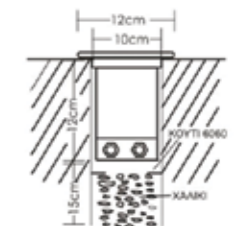
Cover Diameter: 12 cm  
Depth: 12 cm  
Cutting Hole: 10 cm

CODE	DESCRIPTION	LAMPHOLDER
6682	OXYGEN 2 BRASS GU10	GU10
6682-18	Oxygen 2 Brass Inox Cover	GU10
6682-IN	Oxygen 2 Brass Inox Antimagnetic Cover	GU10
6682SQ	Oxygen 2 Brass Inox Cover SQ	GU10
6682K	Oxygen 2 Brass Movable	GU10

## OXYGEN 4 BRASS GU10



Cover Diameter: 12 cm  
Depth: 12 cm  
Cutting Hole: 10 cm



Cover Diameter: 12 cm  
Depth: 12 cm  
Cutting Hole: 10 cm

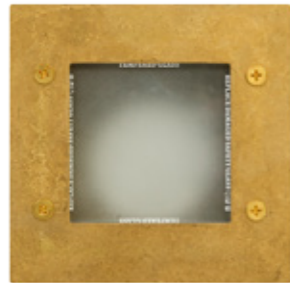
CODE	DESCRIPTION	LAMPHOLDER
6684	OXYGEN 4 BRASS GU10	GU10

# OUTDOOR RECESSED BRASS



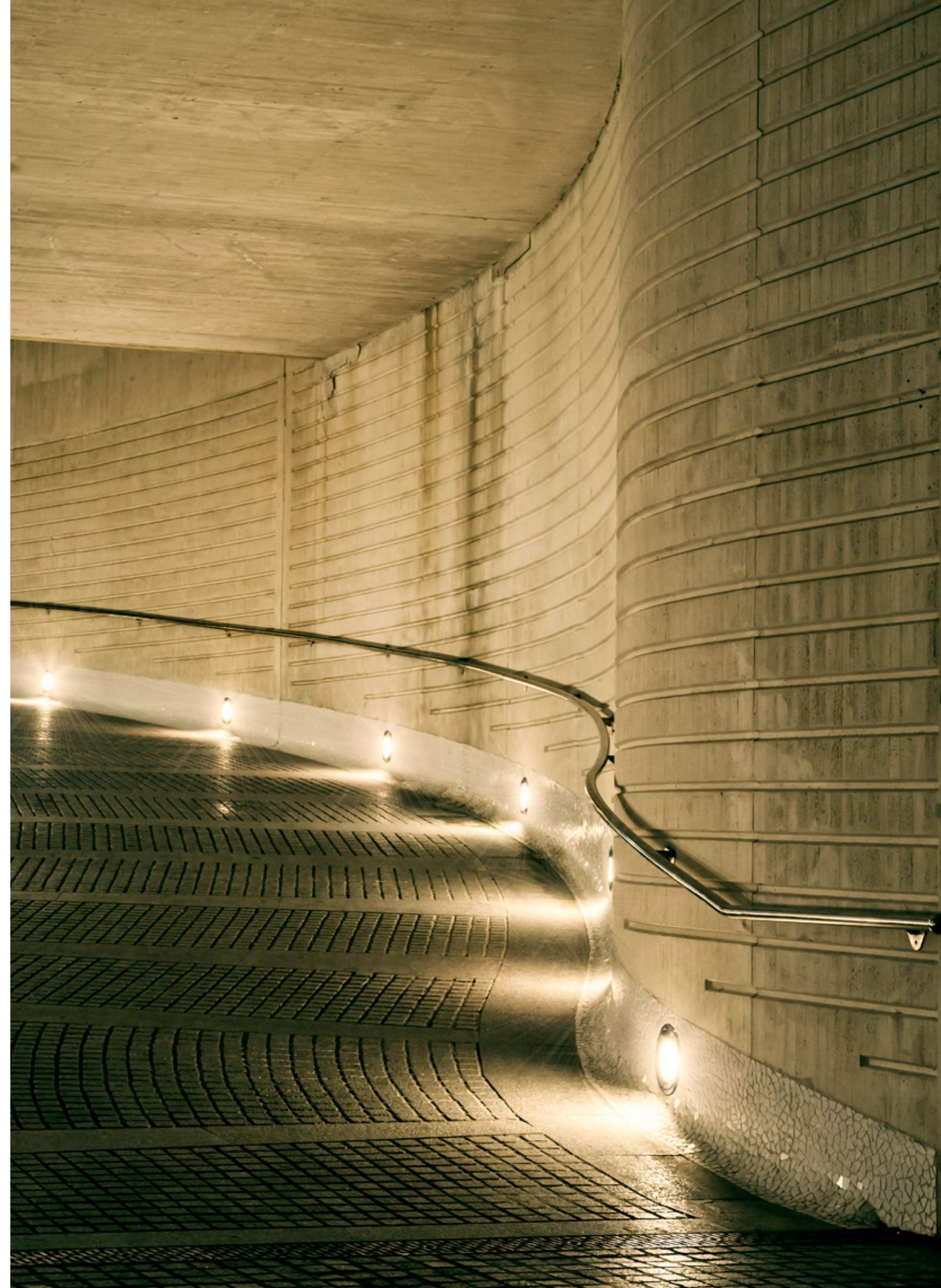
**BODY** Brass • Glass cover 5mm • Brass screws  
**LAMPHOLDER** G9  
**REGULATION** Manufactured in accordance with EN 60598-1 and CE 93/68/EOK  
**PROTECTION DEGREE AGAINST MOISTURE AND DUST** IP65

## CHIOS 2 BRASS



Dimension 110x110 mm, Height 60 mm  
cutting hole 90x90 mm

CODE	DESCRIPTION	LAMPHOLDER
200-606-__ (COLOR)	CHIOS 2 BRASS G9	G9
6040	PLUS CHIOS 2	



**PLUS CHIOS 2**

Metal Box 6040

☒ 11x11 cm ↓ 10 cm



**PLUS LUNA**

Metal Box 6030

☒ 10,5x10,5 cm ↓ 10 cm



**PLUS OXYGEN**

Plastic Box 6060

☒ 11 cm ↓ 10 cm



**PLUS TANGO**

Plastic Box 6000

☒ 10,5 cm ↓ 15 cm



**PLUS SIENA**

Plastic Box 6050

☒ 17 cm ↓ 18 cm



**PLUS SIENA DOUBLE**

Plastic Box 6051

☒ 17 cm ↓ 36 cm



**PLUS VITA S**

Metal Box 6070

☒ 13 cm ↓ 22 cm



**PLUS VITA L**

Metal Box 6071

☒ 16,5 cm ↓ 26 cm



**PLUS HERMES**

Plastic Box TK092K

☒ 23x10 cm ↓ 9 cm



**PLUS ALFA**

Metal Box 7036

☒ 5 cm ↓ 9 cm



**PLUS DELTA**

Metal Box 6036

☒ 4,3 cm ↓ 14 cm



**7013 - CAST ALUMINIUM**

Lenght 21 cm



**7014 - METAL**

Lenght 30 cm

Pole Aluminum



**70130P - BRASS**

Lenght 17 cm

Pole Brass



**70140P - BRASS**

Lenght 30 cm

Pole Aluminum



# GARDEN





**BODY** Aluminum profile pole and aluminum die cast luminaire  
**SOURCE** VOSSL0H Module readyline COB (230V) (ON BOARD)  
**REGULATION** Manufactured in accordance with EN 60598-1 and CE 93/68/EOK  
**PROTECTION DEGREE AGAINST MOISTURE AND DUST** IP65 • OXYGENE LED LUMINAIRE

COLOUR TEMPERATURE KELVIN	4W		6W		8W	
	Lm	Lm/W	Lm	Lm/W	Lm	Lm/W
3000K	352	88	498	83	656	82
4000K	368	92	522	87	688	86

\*Luminus flux & power consumption of led. Φωτεινή ροή & κατανάλωση πυρήνα led.

**TOWER AC LED**



CODE*	WATT	KELVIN	CRI	REFLECTOR DEGREES	LED DRIVER	COLOUR
4519	4W (4)	3000K (3)	80 (8)	12° (12)	ON - OFF (C)	WHITE (-01)
	6W (6)			24° (24)		BLACK (-03)
	8W (8)	4000K (4)	90 (9)	40° (40)		ALUMINUM (-26)
				OTHER** (-XX)		
FINAL CODE						
4519	-- (WATT)	-- (KELVIN)	-- (CRI)	-- (REFLECTOR DEGREES)	-- (LED DRIVER)	-- (COLOUR)

Dimensions 6x6cm  
Height 65 cm

\* Για να δημιουργήσετε τον τελικό κωδικό του προϊόντος που επιθυμείτε, προσθέστε μετά τον αρχικό κωδικό τους πορτοκαλί αριθμούς ή γράμματα που βρίσκονται μέσα στις παρενθέσεις ανάλογα με την επιλογή σας. \*\*\*Διαθέσιμο και σε άλλα χρώματα από το χρωματολόγιο στη σελίδα 10.

**HOPE AC LED**



CODE*	WATT	KELVIN	CRI	REFLECTOR DEGREES	LED DRIVER	COLOUR
4513	4W (3)	3000K (3)	80 (8)	12° (12)	ON - OFF (C)	WHITE (-01)
	6W (6)			24° (24)		BLACK (-03)
	8W (8)	4000K (4)	90 (9)	40° (40)		ALUMINUM (-26)
				OTHER** (-XX)		
FINAL CODE						
4513	-- (WATT)	-- (KELVIN)	-- (CRI)	-- (REFLECTOR DEGREES)	-- (LED DRIVER)	-- (COLOUR)

Dimensions 17 cm  
Height 65 cm

\* To create the final product code add after their original prefix the orange numbers or letters, inside the parentheses, according to your choice. \*\*Available in other colours, see page 10.

## GARDEN



<b>BODY</b>	Aluminum profile pole and aluminum die cast luminaire
<b>SOURCE</b>	Chip On Board (COB) LED VOSSL0H ActiveLine LED Module • OSRAM PrevaLED Coin 50g2 Module (ON BOARD)
<b>REGULATION</b>	Manufactured in accordance with EN 60598-1 and CE 93/68/EOK
<b>PROTECTION DEGREE AGAINST MOISTURE AND DUST</b>	IP65 • WALL DOWN LED LUMINAIRE

## BRIDGE LED



CODE*	WATT	KELVIN	CRI	REFLECTOR DEGREES	LED DRIVER	COLOUR
4619	6,2W (6)	3000K (3)	80 (8)	12° (12)	ON - OFF (C)	WHITE (-01)
		4000K (4)		24° (24)		BLACK (-03)
				40° (40)		OTHER** (-XX)
4619	9,2W (9)	3000K (3)	80 (8)	12° (12)	ON - OFF (C)	WHITE (-01)
		4000K (4)		24° (24)		BLACK (-03)
				40° (40)		OTHER** (-XX)
				60° (60)		
<b>FINAL CODE</b>						
4619	---	--	--	--	-	- --
	(WATT)	(KELVIN)	(CRI)	(REFLECTOR DEGREES)	(LED DRIVER)	(COLOUR)

Dimensions 6x6 cm  
Height 67 cm  
Base dimensions: 12x12 cm

\* Για να δημιουργήσετε τον τελικό κωδικό του προϊόντος που επιθυμείτε, προσθέστε μετά τον αρχικό κωδικό τους πορτοκαλί αριθμούς ή γράμματα που βρίσκονται μέσα στις παρενθέσεις ανάλογα με την επιλογή σας. \*\*\*Διαθέσιμο και σε άλλα χρώματα από το χρωματολόγιο στη σελίδα 10.



<b>BODY</b>	Aluminum profile and aluminum luminaire
<b>SOURCE</b>	VOSSL0H ReadyLine COB (ON BOARD)
<b>REGULATION</b>	Manufactured in accordance with EN 60598-1 and CE 93/68/EOK
<b>PROTECTION DEGREE AGAINST MOISTURE AND DUST</b>	IP65 • ALFA LED LUMINAIRE

## IEFFEL LED



CODE*	WATT	KELVIN	CRI	REFLECTOR DEGREES	LED DRIVER	COLOUR
7028	8W (8)	3000K (3)	80 (8)	12° (12)	ON - OFF (C)	WHITE (-01)
		4000K (4)		24° (24)		BLACK (-03)
				40° (40)		ALUMINUM (-26)
<b>FINAL CODE</b>						
7028	---	--	--	--	-	- --
	(WATT)	(KELVIN)	(CRI)	(REFLECTOR DEGREES)	(LED DRIVER)	(COLOUR)

Diameter 6 cm  
Height 45 cm

\* To create the final product code add after their original prefix the orange numbers or letters, inside the parentheses, according to your choice. \*\*Available in other colours, see page 10.



**BODY** Aluminum profile and aluminum luminaire  
**SOURCE** Chip On Board (COB) LED VOSSL0H ActiveLine LED Module • OSRAM PrevaLED Coin 50g2 Module (ON BOARD)  
**REGULATION** Manufactured in accordance with EN 60598-1 and CE 93/68/EOK  
**PROTECTION DEGREE AGAINST MOISTURE AND DUST** IP65 • FOCUS DOWN LED LUMINAIRE

**BODY** Aluminum profile and aluminum luminaire  
**SOURCE** Chip On Board (COB) LED VOSSL0H ActiveLine LED Module • OSRAM PrevaLED Coin 50g2 Module (ON BOARD)  
**REGULATION** Manufactured in accordance with EN 60598-1 and CE 93/68/EOK  
**PROTECTION DEGREE AGAINST MOISTURE AND DUST** IP65 • FOCUS DOWN LED LUMINAIRE

FOC LED



CODE*	WATT	KELVIN	CRI	REFLECTOR DEGREES	LED DRIVER	COLOUR
 4620	6,2W (6)	3000K (3)	80 (8)	12° (12)	ON - OFF (C)	WHITE (-01)
		4000K (4)		24° (24)		BLACK (-03)
				40° (40)		OTHER** (-XX)
 4620	9,2W (9)	3000K (3)	80 (8)	12° (12)	ON - OFF (C)	WHITE (-01)
		4000K (4)		24° (24)		BLACK (-03)
				40° (40)		OTHER** (-XX)
				60° (60)		
FINAL CODE						
4620	---	--	--	--	-	- --
	(WATT)	(KELVIN)	(CRI)	(REFLECTOR DEGREES)	(LED DRIVER)	(COLOUR)

Diameter 6 cm and height 45 cm

\* Για να δημιουργήσετε τον τελικό κωδικό του προϊόντος που επιθυμείτε, προσθέστε μετά τον αρχικό κωδικό τους πορτοκαλί αριθμούς ή γράμματα που βρίσκονται μέσα στις παρενθέσεις ανάλογα με την επιλογή σας. \*\*\*Διαθέσιμο και σε άλλα χρώματα από το χρωματολόγιο στη σελίδα 10.

FOCER LED



CODE*	WATT	KELVIN	CRI	REFLECTOR DEGREES	LED DRIVER	COLOUR
 4625	6,2W (6)	3000K (3)	80 (8)	12° (12)	ON - OFF (C)	WHITE (-01)
		4000K (4)		24° (24)		BLACK (-03)
				40° (40)		OTHER** (-XX)
 4625	9,2W (9)	3000K (3)	80 (8)	12° (12)	ON - OFF (C)	WHITE (-01)
		4000K (4)		24° (24)		BLACK (-03)
				40° (40)		OTHER** (-XX)
				60° (60)		
FINAL CODE						
4625	---	--	--	--	-	- --
	(WATT)	(KELVIN)	(CRI)	(REFLECTOR DEGREES)	(LED DRIVER)	(COLOUR)

Diameter 6 cm and height 45 cm

\* To create the final product code add after their original prefix the orange numbers or letters, inside the parentheses, according to your choice. \*\*Available in other colours, see page 10.

**BODY** Aluminum profile  
**LAMPHOLDER** OSRAM BOX LED MODULE (ON BOARD)  
**REGULATION** Manufactured in accordance with EN 60598-1 and CE 93/68/EOK  
**PROTECTION DEGREE AGAINST MOISTURE AND DUST** IP65

**BODY** Aluminium pipe and polycarbonate satin cover  
**LAMPHOLDER** VOSSLOH READYLINE COB  
**REGULATION** Manufactured in accordance with EN 60598-1 and CE 93/68/EOK  
**PROTECTION DEGREE AGAINST MOISTURE AND DUST** IP65

**ECO 1 LED**



KELVIN	3,1W (24V)	
	Lm	Lm/W
3000	327	105
4000	327	105

\* Luminus flux & power consumption of led. Φωτεινή ροή & κατανάλωση πυρήνα led.

Dimensions 6x6 cm and height 40 cm  
 Base dimensions: 12x12 cm

CODE	DESCRIPTION	KELVIN
100130-__ (COLOR)	ECO 1 LED	3000
100140-__ (COLOR)		4000

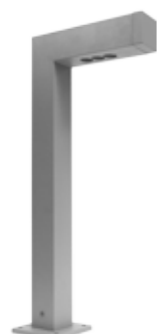
**ECO 2 LED**



Dimensions 6x6 cm and height 60 cm  
 Base dimensions: 12x12 cm

CODE	DESCRIPTION	KELVIN
100230-__ (COLOR)	ECO 2 LED	3000
100240-__ (COLOR)		4000

**ECO 3 LED**



Dimensions 6x6 cm and height 60 cm  
 Base dimensions: 12x12 cm

CODE	DESCRIPTION	KELVIN
100330-__ (COLOR)	ECO 3 LED	3000
100340-__ (COLOR)		4000

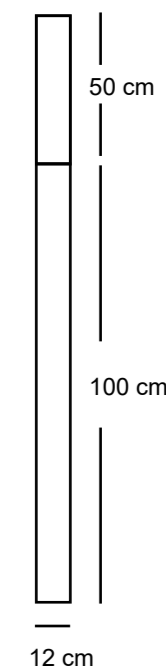
\* Για να δημιουργήσετε τον τελικό κωδικό του προϊόντος που επιθυμείτε, προσθέστε μετά τον αρχικό κωδικό τους πορτοκαλί αριθμούς ή γράμματα που βρίσκονται μέσα στις παρενθέσεις ανάλογα με την επιλογή σας. \*\*\*Διαθέσιμο και σε άλλα χρώματα από το χρωματολόγιο στη σελίδα 10.

**STATUS LED**

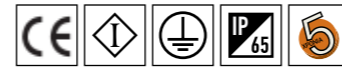


CODE*	WATT	KELVIN	CRI	REFLECTOR DEGREES	LED DRIVER	COLOUR
3013	20W (2)	3000K (3)	80 (8)	12° (12)	ON - OFF (C)	WHITE (-01)
				24° (24)		BLACK (-03)
		40° (40)	ALUMINUM (-26)			
FINAL CODE						
3013	-- (WATT)	-- (KELVIN)	-- (CRI)	-- (REFLECTOR DEGREES)	-- (LED DRIVER)	-- (COLOUR)

\* Για να δημιουργήσετε τον τελικό κωδικό του προϊόντος που επιθυμείτε, προσθέστε μετά τον αρχικό κωδικό τους πορτοκαλί αριθμούς ή γράμματα που βρίσκονται μέσα στις παρενθέσεις ανάλογα με την επιλογή σας. \*\*\*Διαθέσιμο και σε άλλα χρώματα από το χρωματολόγιο στη σελίδα 10.

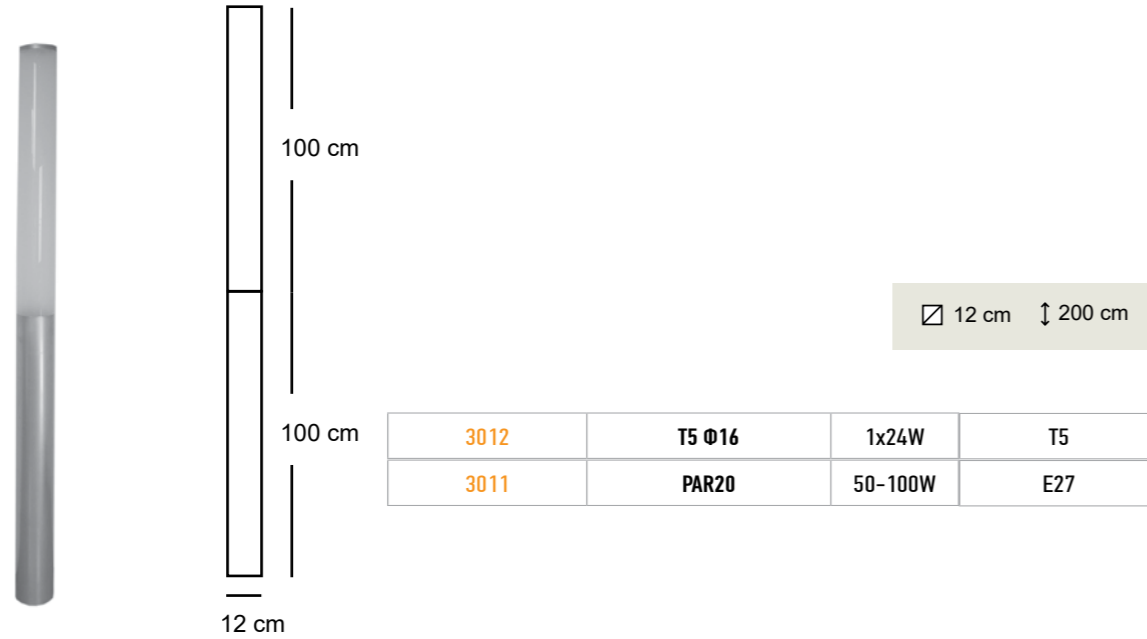


# GARDEN



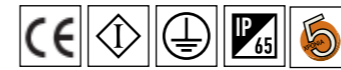
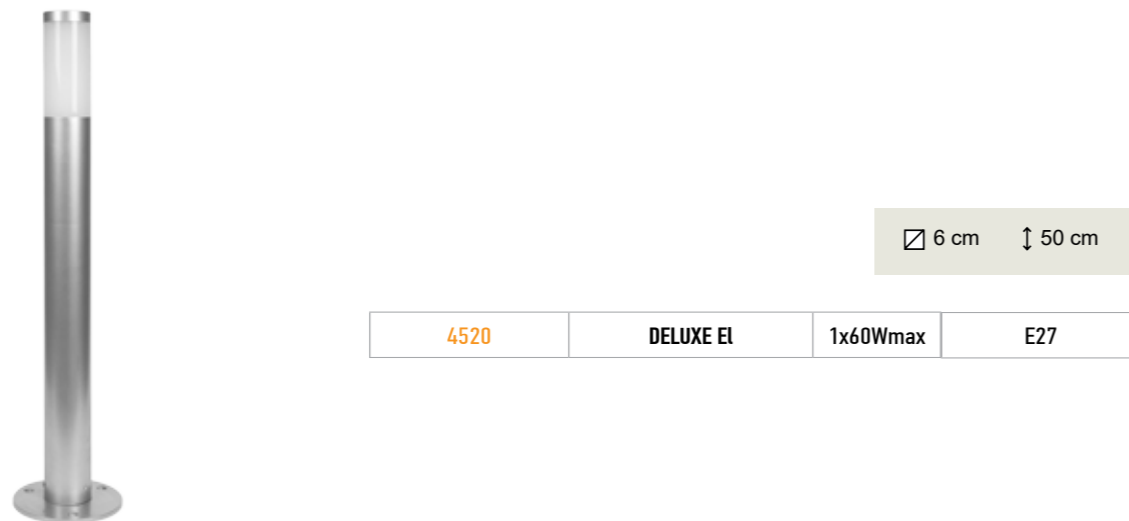
**BODY** Aluminium pipe and polycarbonate satin cover  
**LAMPHOLDER** T5-E27  
**REGULATION** Manufactured in accordance with EN 60598-1 and CE 93/68/EOK  
**PROTECTION DEGREE AGAINST MOISTURE AND DUST** IP65

## STATUS



**BODY** Cast pressed aluminium pipe and polycarbonate SATIN COVER  
**LAMPHOLDER** GU10  
**REGULATION** Manufactured in accordance with EN 60598-1 and CE 93/68/EOK  
**PROTECTION DEGREE AGAINST MOISTURE AND DUST** IP65

## FAROS



**BODY** Aluminum profile and glass satin cover  
**LAMPHOLDER** E27  
**REGULATION** Manufactured in accordance with EN 60598-1 and CE 93/68/EOK  
**PROTECTION DEGREE AGAINST MOISTURE AND DUST** IP65

## MINOS



Glass satin cover • External diameter 10cm, height 42 and 82 cm

CODE	DESCRIPTION	LAMPHOLDER
4510	MINOS E27 40cm	E27
8510	MINOS E27 80cm	E27

## FOSS



Glass satin cover Diam 6x6 cm

CODE	DESCRIPTION	LAMPHOLDER
525305	FOSS 35cm	E14
525705	FOSS 75cm	E14

## GARDEN



<b>BODY</b>	Aluminium pipe
<b>LAMPHOLDER</b>	GU10
<b>REGULATION</b>	Manufactured in accordance with EN 60598-1 and CE 93/68/EOK
<b>PROTECTION DEGREE AGAINST MOISTURE AND DUST</b>	IP65-Oxygen

## TOWER



Dimensions 6x6cm and height 65 cm

CODE	DESCRIPTION	LAMPHOLDER
4519	TOWER GU10	GU10

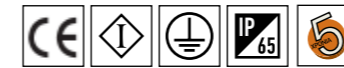
<b>BODY</b>	Aluminiu
<b>LAMPHOLDER</b>	GU10
<b>REGULATION</b>	Manufactured in accordance with EN 60598-1 and CE 93/68/EOK
<b>PROTECTION DEGREE AGAINST MOISTURE AND DUST</b>	IP65-Focus

## FOC



Diameter 6 cm and height 45 cm

CODE	DESCRIPTION	LAMPHOLDER
4627	FOC E27	GU10



<b>BODY</b>	Aluminium
<b>LAMPHOLDER</b>	GU10
<b>REGULATION</b>	Manufactured in accordance with EN 60598-1 and CE 93/68/EOK
<b>PROTECTION DEGREE AGAINST MOISTURE AND DUST</b>	IP65 - OXYGEN

## HOPE



Dimensions 12cm and height 45 cm

CODE	DESCRIPTION	LAMPHOLDER
4513	HOPE	GU10

<b>BODY</b>	Aluminiu
<b>LAMPHOLDER</b>	GU10
<b>REGULATION</b>	Manufactured in accordance with EN 60598-1 and CE 93/68/EOK
<b>PROTECTION DEGREE AGAINST MOISTURE AND DUST</b>	IP65-Focus

## FOCER



CODE	DESCRIPTION	LAMPHOLDER
4625	FOCER	GU10

**BODY** Brass  
**SOURCE** Chip On Board (COB) LED VOSSL0H ActiveLine LED Module • OSRAM PrevaLED Coin 50g2 Module (ON BOARD)  
**REGULATION** Manufactured in accordance with EN 60598-1 and CE 93/68/EOK  
**PROTECTION DEGREE AGAINST MOISTURE AND DUST** IP65 • FOCUS DOWN LED BRASS LUMINAIRE

**BODY** Brass  
**SOURCE** Chip On Board (COB) LED VOSSL0H ActiveLine LED Module • OSRAM PrevaLED Coin 50g2 Module (ON BOARD)  
**REGULATION** Manufactured in accordance with EN 60598-1 and CE 93/68/EOK  
**PROTECTION DEGREE AGAINST MOISTURE AND DUST** IP65 • FOCUS DOWN LED BRASS LUMINAIRE

## FOC BRASS LED



Cover Diameter: 6 cm  
Height: 35 cm

CODE*	WATT	KELVIN	CRI	REFLECTOR DEGREES	LED DRIVER	COLOUR
4620 OR	6,2W (6)	3000K (3)	80 (80)	12° (2)	ON - OFF (C)	WHITE (-01)
		4000K (4)		24° (4)		BLACK (-03)
				40° (0)		OTHER** (-XX)
4620 OR	9,2W (9)	3000K (3)	80 (80)	12° (2)	ON - OFF (C)	WHITE (-01)
		4000K (4)		24° (4)		BLACK (-03)
				40° (0)		OTHER** (-XX)
				60° (6)		
FINAL CODE						
4620 OR	---	--	--	--	-	- --
	(WATT)	(KELVIN)	(CRI)	(REFLECTOR DEGREES)	(LED DRIVER)	(COLOUR)

\* Για να δημιουργήσετε τον τελικό κωδικό του προϊόντος που επιθυμείτε, προσθέστε μετά τον αρχικό κωδικό τους πορτοκαλί αριθμούς ή γράμματα που βρίσκονται μέσα στις παρενθέσεις ανάλογα με την επιλογή σας. \*\*\*Διαθέσιμο και σε άλλα χρώματα από το χρωματολόγιο στη σελίδα 10.

## FOCER LED BRASS



Cover Diameter: 6 cm  
Height: 35 cm

CODE*	WATT	KELVIN	CRI	REFLECTOR DEGREES	LED DRIVER	COLOUR
4625 OR	6,2W (6)	3000K (3)	80 (8)	12° (12)	ON - OFF (C)	WHITE (-01)
		4000K (4)		24° (24)		BLACK (-03)
				40° (40)		OTHER** (-XX)
4625 OR	9,2W (9)	3000K (3)	80 (8)	12° (12)	ON - OFF (C)	WHITE (-01)
		4000K (4)		24° (24)		BLACK (-03)
				40° (40)		OTHER** (-XX)
				60° (60)		
FINAL CODE						
4625 OR	---	--	--	--	-	- --
	(WATT)	(KELVIN)	(CRI)	(REFLECTOR DEGREES)	(LED DRIVER)	(COLOUR)

\* To create the final product code add after their original prefix the orange numbers or letters, inside the parentheses, according to your choice. \*\*Available in other colours, see page 10.

## GARDEN BRASS



<b>BODY</b>	Brass Profile and Brass Luminaire
<b>SOURCE</b>	VOSSLÖH ReadyLine COB (ON BOARD)
<b>REGULATION</b>	Manufactured in accordance with EN 60598-1 and CE 93/68/EOK
<b>PROTECTION DEGREE AGAINST MOISTURE AND DUST</b>	IP65 • ALFA LED LUMINAIRE

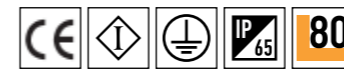
## EIFFEL LED BRASS



Cover Diameter: 6 cm  
Height: 45 cm

CODE*	WATT	KELVIN	CRI	REFLECTOR DEGREES	LED DRIVER	COLOUR
7058 OP	8W (8)	3000K (3)	80 (8)	12° (12)	ON - OFF (C)	WHITE (-01)
		4000K (4)	90 (9)	24° (24)		BLACK (-03)
				40° (40)		ALUMINUM (-26)
<b>FINAL CODE</b>						
7058 OP	-- (WATT)	-- (KELVIN)	-- (CRI)	-- (REFLECTOR DEGREES)	-- (LED DRIVER)	-- (COLOUR)

\* To create the final product code add after their original prefix the orange numbers or letters, inside the parentheses, according to your choice. \*\* Available in other colours, see page 10.



<b>BODY</b>	Brass Profile and Brass Luminaire
<b>LAMPHOLDER</b>	GU10-E27
<b>REGULATION</b>	Manufactured in accordance with EN 60598-1 and CE 93/68/EOK
<b>PROTECTION DEGREE AGAINST MOISTURE AND DUST</b>	IP65 • FOCUS LUMINAIRE

## FOC BRASS



Diameter 6 cm and height 35 cm

CODE	DESCRIPTION	LAMPHOLDER
4620 OR	FOC BRASS	GU10

## FOCER BRASS



Diameter 6 cm and height 35 cm

CODE	DESCRIPTION	LAMPHOLDER
4625 OR	FOCER BRASS	GU10

## FAROS BRASS



Diameter 6 cm and height 44 cm

CODE	DESCRIPTION	LAMPHOLDER
4521 OR	FAROS BRASS	E27

## GARDEN COLUMNS



<b>BODY</b>	Galvanized iron pipe
<b>SOURCE</b>	Chip On Board (COB) LED Module
<b>REGULATION</b>	Manufactured in accordance with EN 60598-1 and CE 93/68/EOK
<b>PROTECTION DEGREE AGAINST MOISTURE AND DUST</b>	IP65 SIENA
<b>DESCRIPTION</b>	Single or double luminaire with the ability of double rotation

## IONIA COB LED



CODE*	WATT	KELVIN	TYPE	LENGTH	DEGREES	
3015	49,3W (49)	3000K (3)	SINGLE (1)	3m (3)	12° (12)	
	60W (60)	4000K (4)	DOUBLE (2)	3,5 m (5)		
FINAL CODE						
3015	--- (WATT)	-- (KELVIN)	-- (CRI)	-- (REFLECTOR DEGREES)	-- (LED DRIVER)	-- (COLOUR)

Diameter 90mm  
Square base 30x30x10 cm  
Height of 3-3,5 m

\* To create the final product code add after their original prefix the **orange numbers or letters**, inside the parentheses, according to your choice. \*\*Available in other colours, see page 10.



<b>BODY</b>	Galvanized iron pipe
<b>SOURCE</b>	Chip On Board (COB) LED Module
<b>REGULATION</b>	Manufactured in accordance with EN 60598-1 and CE 93/68/EOK
<b>PROTECTION DEGREE AGAINST MOISTURE AND DUST</b>	IP65-Siena
<b>DESCRIPTION</b>	Single or double luminaire with the ability of double rotation

## POSEIDON COB LED



CODE*	WATT	KELVIN	TYPE	LENGTH	DEGREES	
3035	49,3W (49)	3000K (3)	SINGLE (1)	3m (3)	12° (12)	
	60W (60)	4000K (4)	DOUBLE (2)	3,5 m (5)		
FINAL CODE						
3035	--- (WATT)	-- (KELVIN)	-- (CRI)	-- (REFLECTOR DEGREES)	-- (LED DRIVER)	-- (COLOUR)

Diameter 90mm  
Square base 30x30x10 cm  
Height of 3-3,5 m

\* To create the final product code add after their original prefix the **orange numbers or letters**, inside the parentheses, according to your choice. \*\*Available in other colours, see page 10.

## GARDEN COLUMNS

<b>BODY</b>	Heavy iron pipe
<b>REGULATION</b>	Manufactured in accordance with EN 60598-1 and CE 93/68/EOK
<b>PROTECTION DEGREE AGAINST MOISTURE AND DUST</b>	IP65

### STILOS 1



Column's height from 0,2 - 4 m and diameter of the column 42 or 60 mm

CODE	DESCRIPTION	
0021	0,20M	Ø42
7042	0,70M	42MM
0020	0,20M	Ø60
0050	0,50M	Ø60
5042	0,50M	42MM
7060	0,70M	60MM
1060	1,00M	60MM
1560	1,50M	60MM
2060	2,00M	60MM
2560	2,50M	60MM
3060	3,00M	60MM
4060	4,00M	60MM

### STILOS 2



Column's height from 0,2 - 3,5 m and diameter of the column 60 or 90 mm

CODE	DESCRIPTION	NOTE
2090	60-90 2M	WITH CONSTRUCTION
2590	60-90 2,5M	
3090	60-90 3M	
3590	60-90 3,5M	

<b>BODY</b>	Heavy iron pipe, plastic light balls
<b>LAMPHOLDER</b>	E27
<b>REGULATION</b>	Manufactured in accordance with EN 60598-1 and CE 93/68/EOK
<b>PROTECTION DEGREE AGAINST MOISTURE AND DUST</b>	IP65

### ISTOI



Column's height 2 - 3,5 m and column's diameter 60 - 90 mm

CODE	DESCRIPTION	NOTE
1027	DIAMETER 60 2,5m	WITH 2 BULBS
1037	DIAMETER 60 2,5m	WITH 3 BULBS



<b>BODY</b>	Lamp head made of iron pipe ,plastic lamp bals
<b>LAMPHOLDER</b>	E27
<b>REGULATION</b>	Manufactured in accordance with EN 60598-1 and CE 93/68/EOK
<b>PROTECTION DEGREE AGAINST MOISTURE AND DUST</b>	IP65

### IRA



Placed on a column with a diameter of 60mm

CODE	DESCRIPTION	LAMPHOLDER
001F	SINGLE HEAD	E27
002F	DOUBLE HEAD	E27
003F	TRIPLE HEAD	E27

### ERATO



For column diameter 60 mm

CODE	DESCRIPTION	LAMPHOLDER
004F	SINGLE HEAD	E27
005F	DOUBLE HEAD	E27
006F	TRIPLE HEAD	E27

### THALIA



For column diameter 60 mm

CODE	DESCRIPTION	LAMPHOLDER
007F	SINGLE HEAD	E27
008F	DOUBLE HEAD	E27
009F	TRIPLE HEAD	E27



INDEX

CODE	PAGE	CODE	PAGE	CODE	PAGE	CODE	PAGE	CODE	PAGE
007	142	1111	107	4518	340	6101	254	7124	238
0020	348	1112	107	4519	340	6110	264	7129	238
0021	348	1115	107	4520	338	6111	264	7175	105
022	142	1116	107	4521	345	6114	308	7211	105
0050	348	1125	144	4620	345	6115	308	7225	105
001F	349	1126	145	4625	341	6143	308	7228	238
002F	349	1127	144	4625	345	6143	308	7230	105
003F	349	1128	145	4627	340	6193	307	7280	150
004F	349	1129	107	4680	149	6200	254	7380	150
005F	349	1130	107	5042	348	6201	254	7511	104
006F	349	1132	107	5127	139	6210	264	7535	104
007F	349	1135	107	5180	148	6211	264	7551	287
008F	349	1136	107	6000	324	6300	254	7571	287
009F	349	1137	106	6002	286	6301	254	7575	104
031630	89	1235	141	6009	106	6400	254	7601	300
031640	89	1236	141	6010	129	6401	254	7602	274
032230	89	1254	140	6011	129	6500	254	7604	300
032240	89	1280	149	6012	129	6501	254	7605	300
032330	89	1367	184	6014	311	6510	339	7606	274
032340	89	1368	185	6015	311	6600	254	7608	274
032730	89	1369	185	6020	310	6601	254	7618	300
032740	89	1370	185	6023	311	6682	321	7619	300
042030	99	1371	185	6024	311	6684	321	7620	279
042040	99	1560	348	6030	312	7005	183	7621	278
051630	84	1656	77	6030	324	7009	107	7622	279
051640	84	1657	77	6032	287	7010	182	7627	278
052230	84	2060	348	6033	312	7013	325	7636	279
052240	84	2090	348	6036	324	7014	325	7640	302
053030	84	2106	143	6040	312	7022	253	7641	302
053040	84	2107	143	6040	322	7024	246	7643	302
053530	84	2108	143	6042	312	7025	247	7644	302
053540	84	2280	148	6043	255	7027	283	8143	252
062030	96	2560	348	6044	255	7028	246	8143	316
063240	96	2590	348	6045	255	7030	103	8222	164
114	107	2780	149	6046	255	7031	253	8230	164
500	264	3011	338	6047	255	7036	324	8280	150
501	264	3012	338	6050	324	7038	103	8422	164
600	264	3060	348	6051	324	7042	348	8430	164
601	264	3090	348	6053	255	7044	252	8480	150
606	322	3280	148	6054	255	7054	183	10111	102
701	165	3590	348	6055	255	7055	183	10112	102
704	165	3939	182	6056	255	7055	316	11406	75
706	165	4060	348	6057	255	7060	348	12109	75
720	105	4127	138	6060	324	7080	106	12111	138
1027	348	4280	148	6070	324	7081	106	12111	149
1037	348	4343	107	6071	324	7092	317	12112	139
1060	348	4510	339	6082	281	7093	317	12112	142
1110	107	4513	341	6100	254	7111	105	12230	138

INDEX

CODE	PAGE	CODE	PAGE	CODE	PAGE	CODE	PAGE	CODE	PAGE
12275	138	91001	76	11A640	160	1250S981	131	173540	118
12406	75	91005	76	11K130	179	1250S983	131	174230	118
12541	132	91006	76	11K630	179	13150/1	215	174240	118
12546	132	91007	77	11K930	179	13150/2	215	174930	118
12549	132	92001	76	12030/1	210	13150/3	215	174940	118
12812	75	92003	77	12030/2	210	132030	95	183050	170
13130	134	92004	77	12030/3	210	132040	95	184030	176
13140	134	93002	76	12075/1	210	133030	95	184040	176
13212	139	94400	77	12075/2	210	133040	95	188030	170
13515	75	96350	77	12075/3	210	134030	95	188040	170
13630	134	96450	77	12111/1	210	134040	95	190630	92
13640	134	96451	77	12111/2	210	13Q130	135	190640	92
13909	75	96452	77	12111/3	210	13Q630	135	190930	92
13930	134	96501	76	12112SQ	142	13Q930	135	190940	92
13940	134	96504	76	121630	114	13Q981	135	191030	92
13981	134	96506	107	121640	114	13Q983	135	191040	92
13981	134	100130	336	122230	114	141630	83	19A130	161
13983	134	100140	336	122240	114	141640	83	19A140	161
13983	134	100230	336	123130	114	142230	83	19A630	161
14915	75	100240	336	123140	114	142240	83	19A640	161
15412	75	100330	336	1235S	141	143130	83	19A930	161
18015	75	100340	336	123530	114	143140	83	19A940	161
22230	128	101630	85	123540	114	143830	83	19K130	178
32230	128	101640	85	1240S130	136	143840	83	19K140	178
44630	206	102030	97	1240S630	136	151630	91	19K630	178
44640	207	102230	85	1240S930	136	151640	91	19K640	178
44930	206	102240	85	1240S981	136	152230	91	19K930	178
44940	207	102730	85	1240S983	136	152240	91	19K940	178
57123	156	102740	85	124230	114	152330	91	201058	41
57132	156	103230	85	124240	114	152330	91	201086	41
63630	202	103240	85	124930	114	152340	91	201114	41
63640	202	103340	97	124940	114	152730	91	201142	41
63930	202	104930	85	1250D1	133	152740	91	201170	41
63940	202	104940	85	1250D6	133	162030	100	201198	41
70033	231	10A2030	162	1250D9	133	162040	100	201254	41
70081	182	10A2040	162	1250D981	133	164830	83	201282	41
70133	231	10A3030	162	1250D983	133	164840	83	201310	41
70233	231	10A3040	162	1250K	140	171630	118	201338	41
70630	248	10K2030	180	1250K1	130	171640	118	201366	41
70640	248	10K2040	180	1250K6	130	172030	125	201394	41
71033	231	10K3330	180	1250K9	130	172040	125	201422	41
71111	102	10K3340	180	1250K981	130	172230	118	201450	41
71133	231	1127	144	1250K983	130	172240	118	202020	76
71233	231	1127K	144	1251KD	140	173030	125	202058	41
76453	302	1128K	145	1250S	140	173040	125	202086	41
77230	298	11A130	160	1250S1	131	173130	118	202114	41
77240	298	11A630	160	1250S6	131	173140	118	202142	41
77772	182	11A640	160	1250S9	131	173530	118	202170	41

INDEX

CODE	PAGE	CODE	PAGE	CODE	PAGE	CODE	PAGE	CODE	PAGE
202198	41	212254	47	224240	112	30175/3	213	333130	123
202254	41	212282	47	224930	112	30235/1	213	333140	123
202282	41	212310	47	224940	112	30235/2	213	340830	250
202310	41	212338	47	23150/1	217	30235/3	213	340840	250
202338	41	212366	47	23150/2	217	311406	75	341630	250
202366	41	212394	47	23150/3	217	312109	75	341640	250
202394	41	212422	47	232430	122	312406	75	351330	314
202422	41	212450	47	232440	122	312812	75	351340	314
202450	41	212730	88	233530	122	313515	75	352630	314
203058	41	212740	88	233540	122	313909	75	352640	314
203086	41	213058	47	24021/1	218	314915	75	360230	251
203114	41	213086	47	24021/2	218	315412	75	360230	315
203142	41	213114	47	24021/3	218	318015	75	360240	251
203170	41	213142	47	251330	116	32111/1	212	360240	315
203198	41	213170	47	251340	116	32111/2	212	360430	251
203254	41	213198	47	251630	116	32111/3	212	360430	315
203282	41	213254	47	251640	116	321406	75	360440	251
203310	41	213282	47	252430	116	321630	113	360440	315
203338	41	213310	47	252440	116	321640	113	371630	173
203366	41	213330	88	253030	116	32175/1	212	371640	173
203394	41	213338	47	253040	116	32175/2	212	372430	173
203422	41	213340	88	272128	107	32175/3	212	372440	173
203450	41	213366	47	281058	55	322109	75	373130	173
211058	47	213394	47	281086	55	322230	113	373140	173
211086	47	213422	47	281114	55	322240	113	373630	173
211114	47	213450	47	281142	55	322240	128	373640	173
211142	47	22111/1	211	281170	55	32235/1	212	374230	173
211170	47	22111/2	211	281198	55	32235/2	212	374240	173
211198	47	22111/3	211	281254	55	32235/3	212	380010	174
211254	47	216030	88	282058	55	322406	75	380015	174
211282	47	221630	112	282086	55	322812	75	380020	174
211310	47	221640	112	282114	55	323030	128	391058	45
211338	47	22175/1	211	282142	55	323040	128	391086	45
211366	47	22175/2	211	282170	55	323130	113	391114	45
211394	47	22175/3	211	282198	55	323140	113	391142	45
211422	47	222230	112	282254	55	323515	75	391170	45
211450	47	222240	112	283058	55	323530	113	391198	45
211640	88	222240	128	283086	55	323540	113	391254	45
212030	98	22235/1	211	283114	55	323909	75	391282	45
212040	98	22235/2	211	283142	55	324230	113	391310	45
212058	47	22235/3	211	283170	55	324240	113	391338	45
212086	47	223030	128	283198	55	324915	75	391366	45
212114	47	223040	128	283254	55	324930	113	391394	45
212142	47	223130	112	30111/1	213	324940	113	391422	45
212170	47	223140	112	30111/2	213	325412	75	391450	45
212198	47	223530	112	30111/3	213	328015	75	392058	45
212230	88	223540	112	30175/1	213	332230	123	392086	45
212240	88	224230	112	30175/2	213	332240	123	392114	45

INDEX

CODE	PAGE	CODE	PAGE	CODE	PAGE	CODE	PAGE	CODE	PAGE
392142	45	402338	43	412240	128	423130	124	492093	56
392170	45	402366	43	412254	46	423140	124	492122	56
392198	45	402394	43	412282	46	423515	75	493065	56
392254	45	402422	43	412310	46	423909	75	493093	56
392282	45	402450	43	412338	46	424915	75	493122	56
392310	45	403058	43	412366	46	425412	75	512045	67
392338	45	403086	43	412394	46	428015	75	512072	67
392366	45	403114	43	412406	75	441130	206	512108	67
392394	45	403142	43	412422	46	441140	207	512135	67
392422	45	403170	43	412450	46	441230	207	512180	67
392450	45	403198	43	412812	75	441240	207	52030/1	221
393058	45	403254	43	413030	127	441830	207	52030/2	221
393086	45	403282	43	413030	128	441840	207	52030/3	221
393114	45	403310	43	413040	127	442230	207	52030/4	221
393142	45	403338	43	413040	128	442240	207	52075/1	221
393170	45	403366	43	413058	46	449813	206	52075/2	221
393198	45	403394	43	413086	46	449813	207	52075/3	221
393254	45	403422	43	413114	46	449814	207	52075/4	221
393282	45	403450	43	413130	119	449814	207	52111/1	221
393310	45	411058	46	413140	119	449833	206	52111/2	221
393338	45	411086	46	413142	46	449833	207	52111/3	221
393366	45	411114	46	413170	46	449834	207	52111/4	221
393394	45	411142	46	413198	46	449834	207	525305	339
393422	45	411170	46	413254	46	46200P0630	342	525705	339
393450	45	411198	46	413282	46	46200P0640	342	53150/3	222
401058	43	411254	46	413310	46	46200P093	342	53150/4	222
401086	43	411282	46	413338	46	46200P094	342	532065	71
401114	43	411310	46	413366	46	462230	126	532098	71
401142	43	411338	46	413394	46	462230	128	532130	71
401170	43	411366	46	413422	46	462240	126	532260	71
401198	43	411394	46	413450	46	462240	128	541230	198
401254	43	411406	75	413515	75	46250P0630	343	541240	198
401282	43	411422	46	413530	119	46250P0640	343	541330	198
401310	43	411450	46	413540	119	46250P093	343	541340	198
401338	43	411630	119	413909	75	46250P094	343	541430	198
401366	43	411640	119	414230	119	463030	128	541440	198
401394	43	412030	127	414240	119	463040	128	541630	198
401422	43	412040	127	414915	75	463130	126	541640	198
401450	43	412058	46	414930	119	463140	126	542230	199
402058	43	412086	46	414940	119	468622	107	542240	199
402086	43	412109	75	415412	75	471630	121	542330	199
402114	43	412114	46	418015	75	471640	121	542340	199
402142	43	412142	46	421406	75	472230	121	542430	199
402170	43	412170	46	422109	75	472240	121	542440	199
402198	43	412198	46	422230	124	491065	56	542630	199
402254	43	412230	119	422240	124	491093	56	542640	199
402282	43	412230	128	422406	75	491122	56	551630	86
402310	43	412240	119	422812	75	492065	56	551640	86

INDEX

CODE	PAGE	CODE	PAGE	CODE	PAGE	CODE	PAGE	CODE	PAGE
552230	86	623240	201	700830	240	712240	87	722230	159
552240	86	623630	200	700840	240	712254	29	722240	159
553130	86	623640	200	701230	245	712282	29	722254	53
553140	86	624230	200	701240	245	712310	29	722282	53
553830	86	624240	200	701830	240	712338	29	722310	53
553840	86	624430	201	701830	245	712366	29	722338	53
554230	86	624440	201	701840	240	712394	29	722366	53
554240	86	624930	200	701840	245	712422	29	722394	53
572043	69	624940	200	702230	181	712450	29	722422	53
572108	69	626430	201	702240	181	713058	29	722450	53
572169	69	626440	201	702804	101	713086	29	723058	53
572230	157	627030	201	702806	101	713114	29	723086	53
57230K	181	627040	201	702808	101	713130	87	723114	53
572240	157	629430	201	703030	181	713142	29	723142	53
572240K	181	629440	201	703040	181	713170	29	723170	53
572288	69	629830	201	703799	93	713198	29	723198	53
572612	69	629840	201	710630	233	713254	29	723254	53
573030	157	631130	202	710640	233	713282	29	723282	53
573030K	181	631140	202	710930	233	713310	29	723310	53
573040K	181	631230	203	710940	233	713338	29	723338	53
573040	157	631240	203	711058	29	713366	29	723366	53
598030	171	63150/1	216	711086	29	713394	29	723394	53
598040	171	63150/2	216	711114	29	713422	29	723422	53
598050	171	63150/3	216	711142	29	713450	29	723450	53
6002/A	286	631830	203	711170	29	713830	87	731630	175
6032/A	287	631840	203	711198	29	713840	87	731640	175
60440P	264	632230	203	711199	93	714230	87	732430	175
6082/A	281	632240	203	711230	232	714240	87	732440	175
62111/1	214	639813	202	711240	232	721058	53	733130	175
62111/2	214	639813	203	711254	29	721086	53	733140	175
62111/3	214	639814	202	711282	29	721114	53	733630	175
621630	200	639814	203	711310	29	721142	53	733640	175
621640	200	639833	202	711338	29	721170	53	734230	175
62175/1	214	639833	203	711366	29	721198	53	734240	175
62175/2	214	639834	202	711394	29	721254	53	734930	175
62175/3	214	639834	203	711422	29	721282	53	734940	175
622072	70	656809	77	711450	29	721310	53	742030	229
622108	70	66810P	291	711630	87	721338	53	742040	229
622144	70	66810P0430	290	711640	87	721366	53	744030	228
622180	70	66810P0440	290	711830	232	721394	53	744040	228
62235/1	214	66810P0630	290	711840	232	721422	53	760230	273
62235/2	214	66810P0640	290	712058	29	721450	53	760240	273
62235/3	214	66810P0830	290	712086	29	722058	53	762230	277
622430	200	66810P0840	290	712114	29	722086	53	762240	277
622440	200	700430	240	712142	29	722114	53	762330	272
623130	200	700440	240	712170	29	722142	53	762340	272
623140	200	700630	240	712198	29	722170	53	763130	272
623230	201	700640	240	712230	87	722198	53	763140	272

INDEX

CODE	PAGE	CODE	PAGE	CODE	PAGE	CODE	PAGE	CODE	PAGE
763630	272	812086	27	821422	52	854240	192	883640	197
763640	272	812109	74	821450	52	854930	192	884230	197
764930	272	812114	27	822058	52	854940	192	884240	197
764940	272	812142	27	822086	52	856030	208	884930	197
766030	272	812170	27	822114	52	856040	208	884940	197
766040	272	812198	27	822142	52	861630	172	891330	204
772330	299	812254	27	822170	52	861630	193	891340	204
772330	299	812282	27	822198	52	861640	172	891630	204
772340	299	812310	27	822254	52	861640	193	891640	204
773030	299	812338	27	822282	52	862430	172	892430	204
773040	299	812366	27	822310	52	862430	193	892440	204
773330	298	812394	27	822338	52	862440	172	893030	204
773340	298	812406	74	822366	52	862440	193	893040	204
773530	299	812422	27	822394	52	863130	172	901050	36
773540	299	812450	27	822422	52	863130	193	901100	36
774930	299	812812	74	822450	52	863140	172	901150	36
774940	299	813058	27	823058	52	863140	193	901200	36
781630	82	813086	27	823086	52	863630	172	901250	36
781640	82	813114	27	823114	52	863630	193	901300	36
782230	82	813142	27	823142	52	863640	172	901330	205
782240	82	813170	27	823170	52	863640	193	901340	205
783130	82	813198	27	823198	52	864230	172	901630	205
783140	82	813254	27	823254	52	864230	193	901640	205
783830	82	813282	27	823282	52	864240	172	902050	36
783840	82	813310	27	823310	52	864240	193	902100	36
784830	82	813338	27	823338	52	864930	172	902150	36
784840	82	813366	27	823366	52	864930	193	902200	36
791530	94	813394	27	823394	52	864940	172	902250	36
791540	94	813422	27	823422	52	864940	193	902300	36
792030	94	813450	27	823450	52	871630	196	902430	205
792040	94	813515	74	851630	192	871640	196	902440	205
794030	94	813909	74	851640	192	872430	196	903030	205
794040	94	814016	74	852030	208	872440	196	903040	205
811058	27	814915	74	852040	208	873130	196	903050	36
811086	27	815412	74	852054	72	873140	196	903100	36
811114	27	818015	74	852081	72	873630	196	903150	36
811142	27	821058	52	852108	72	873640	196	903200	36
811170	27	821086	52	852430	192	874230	196	903250	36
811198	27	821114	52	852440	192	874240	196	903300	36
811254	27	821142	52	853030	208	874930	196	911058	25
811282	27	821170	52	853040	208	874940	196	911086	25
811310	27	821198	52	853130	192	881630	197	911114	25
811338	27	821254	52	853140	192	881640	197	911142	25
811366	27	821282	52	853630	192	882430	197	911170	25
811394	27	821310	52	853640	192	882440	197	911198	25
811422	27	821338	52	854030	208	883130	197	911254	25
811450	27	821366	52	854040	208	883140	197	911282	25
812058	27	821394	52	854230	192	883630	197	911310	25

INDEX

CODE	PAGE	CODE	PAGE	CODE	PAGE	CODE	PAGE	CODE	PAGE
911338	25	921142	51	951198	32	963150	33	4625093	335
911366	25	921170	51	951254	32	971065	35	4625094	335
911394	25	921198	51	951282	32	971093	35	5016048	48
911406	74	921254	51	951310	32	971120	35	5033096	48
911422	25	921282	51	951338	32	971150	35	5050144	48
911450	25	921310	51	951366	32	972065	35	5067192	48
912058	25	921338	51	951394	32	972093	35	5084240	48
912086	25	921366	51	951422	32	972120	35	5211640	194
912109	74	921394	51	951450	32	972150	35	5211640	194
912114	25	921422	51	952058	32	973065	35	5212440	194
912142	25	921450	51	952086	32	973093	35	5212440	194
912170	25	922058	51	952114	32	973120	35	5213140	194
912198	25	922086	51	952142	32	973150	35	5213140	194
912254	25	922114	51	952170	32	981065	34	5213640	194
912282	25	922142	51	952198	32	981093	34	5213640	194
912310	25	922170	51	952254	32	981120	34	5214240	194
912338	25	922198	51	952282	32	981150	34	5214240	194
912366	25	922254	51	952310	32	982065	34	5214940	194
912394	25	922282	51	952338	32	982093	34	5214940	194
912406	74	922310	51	952366	32	982120	34	5221640	195
912422	25	922338	51	952394	32	982150	34	5221640	195
912450	25	922366	51	952422	32	983065	34	5222440	195
912812	74	922394	51	952450	32	983093	34	5222440	195
913058	25	922422	51	953058	32	983120	34	5223140	195
913086	25	922450	51	953086	32	983150	34	5223140	195
913114	25	923058	51	953114	32	1211630	115	5223640	195
913142	25	923086	51	953142	32	1211640	115	5223640	195
913170	25	923114	51	953170	32	1212230	115	5224240	195
913198	25	923142	51	953198	32	1212240	115	5224240	195
913254	25	923170	51	953254	32	1213130	115	5224940	195
913282	25	923198	51	953282	32	1213140	115	5224940	195
913310	25	923254	51	953310	32	1213530	115	5911030	171
913339	25	923282	51	953338	32	1213540	115	5911040	171
913366	25	923310	51	953366	32	1214230	115	5911050	171
913394	25	923338	51	953394	32	1214240	115	7010630	244
913422	25	923366	51	953422	32	1214930	115	7010640	244
913450	25	923394	51	953450	32	1214940	115	7010930	244
913515	74	923422	51	961065	33	1254981	132	7010940	244
913909	74	923450	51	961093	33	1254983	132	7027630	282
914915	74	942230	158	961120	33	1811030	170	7027640	282
915405	38	942240	158	961150	33	1811040	170	7028830	333
915410	38	943030	158	962065	33	1811050	170	7028840	333
915412	74	943040	158	962093	33	3102058	54	7232630	249
915415	38	951058	32	962120	33	3103086	54	7232640	249
918015	74	951086	32	962150	33	3104114	54	7629630	302
921058	51	951114	32	963065	33	3105142	54	7629930	302
921086	51	951142	32	963093	33	4620093	334	7640114	302
921114	51	951170	32	963120	33	4620094	334	7640134	302

INDEX

CODE	PAGE	CODE	PAGE	CODE	PAGE	CODE	PAGE
30132030	337	7A0930	242	70250P	263	755/AOP	294
30132040	337	7A0940	242	7025/A	247	7551/A	287
30154930	346	70P/10640	259	7025/1	247	7550P	294
30154940	346	70P/10930	259	7025/10P	263	7571/A	287
30156030	346	70P/10940	259	70260P	293	76211130	276
30156040	346	70P/A0630	258	70260P630	292	76211140	276
30354930	347	70P/A0640	258	70260P640	292	76270630	276
30354940	347	70P/A0930	258	70260P0930	292	76270640	276
30356030	347	70P/A0940	258	70260P0940	292	76270930	276
30356040	347	70P/K0730	260	7027/A	283	76270940	276
45130430	331	70P/K0740	260	70270930	282	450405808	59
45130440	331	70P/K1030	260	70270940	282	450405811	59
45130630	331	70P/K1040	260	70280P0430	289	762198130	276
45130640	331	70P0430	257	70280P0440	289	762198140	276
45130830	331	70P0440	257	70280P0630	289	762198330	276
45130840	331	70P0630	257	70280P0640	289	762198340	276
45190430	330	70P0640	257	70280P0830	289	8025/AOP	263
45190440	330	70P0830	257	70280P0840	289	840411408	61
45190630	330	70P0840	257	70280430	284	840411411	61
45190640	330	70P1830	257	70280440	284	840411420	61
45190830	330	70P1840	257	70280630	284	910411420	60
45190840	330	70022/A	231	70280640	284	940411408	60
46190430	332	70130P	325	70280830	284	940411411	60
46190440	332	70P/10630	259	70280840	284	950405808	58
46190630	332	70142030	271	7029/1	246	950405811	58
46190640	332	70142040	271	7029/10P	262	L120058	31
46190830	332	70143030	271	70580P830	344	L230086	31
46190840	332	70143040	271	70580P840	344	L341114	31
46200630	334	70144040	271	71122/A	231	TK092K	324
46200640	334	70144040	271	71233/A	231		
46250630	335	70140P	325	7124/1	238		
46250640	335	70230430	309	7124/A	238		
60820430	280	70230430	318	71K0630	236		
60820440	280	70230440	309	71K0640	236		
60820630	280	70230440	318	71K0930	236		
60820640	280	70230630	309	71K0940	236		
60820830	280	70230630	318	71K1230	237		
60820840	280	70230640	309	71K1240	237		
61930430	306	70230640	318	71K1830	237		
61930440	306	70230830	309	71K1840	237		
61930630	306	70230830	318	72111/1	219		
61930640	306	70230840	309	72111/2	219		
66820430	320	70230840	318	72111/3	219		
66820440	320	70240P	262	73250/1	220		
66820630	320	7024/1	246	73250/2	220		
66820640	320	7024/2	246	73250/3	220		
7A0630	242	7024/10P	262	74A4030	230		
7A0640	242	7024/20P	262	74A4040	230		

Source replacement for MINI BILL GU10  
Driver Included



**OSRAM**  
PrevaLED COIN 50

	LUMEN	Rated Beam Angle	CRi	WATT	KELVIN	CODE
COB 830	1430	24.00 °	80	12.90	3000	901123024
COB 830	1360	40.00 °	80	12.90	3000	901123040
COB 840	1510	24.00 °	80	12.90	4000	901124024
COB 840	1430	40.00 °	80	12.90	4000	901124040

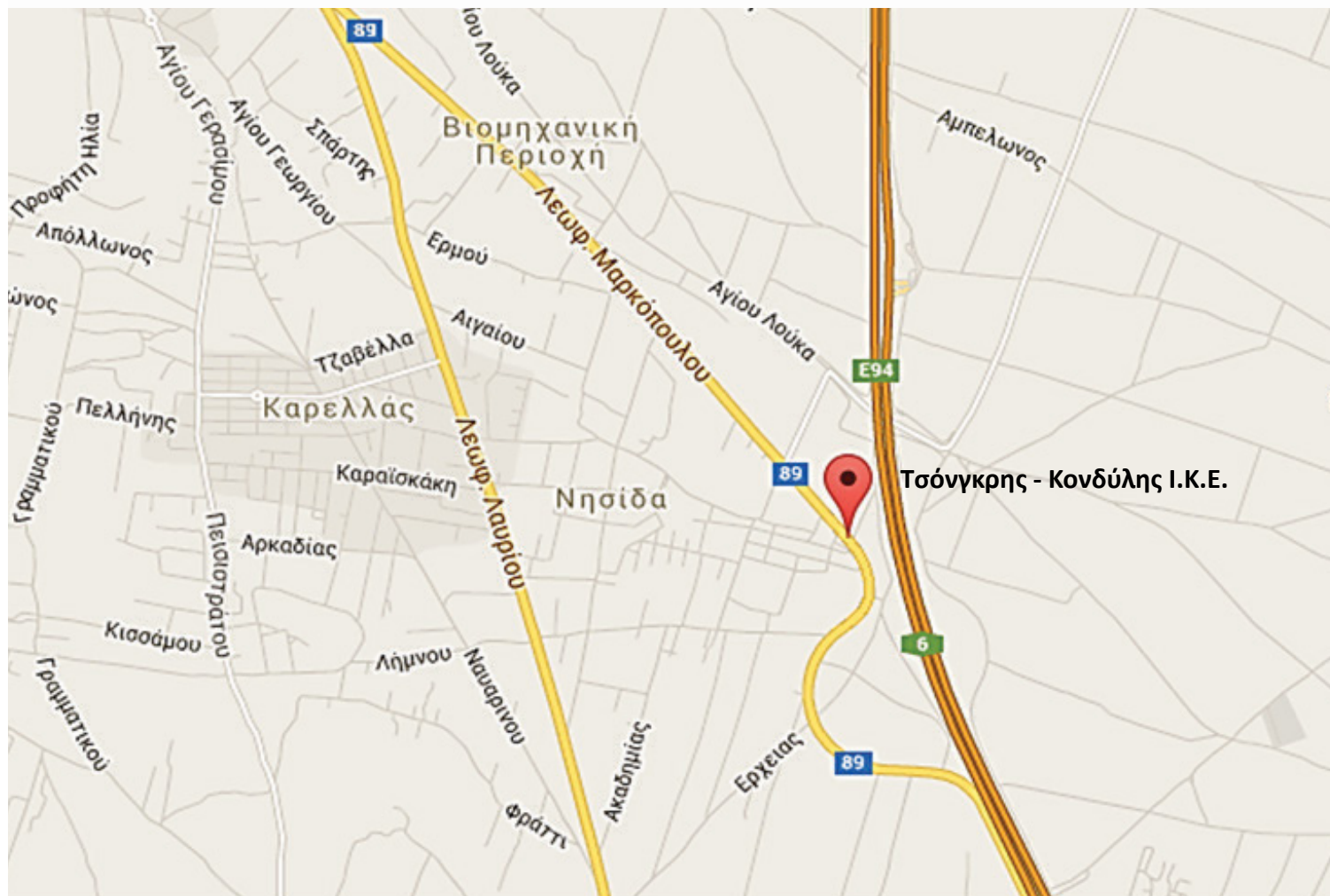
Source replacement for BILL R111  
Driver Included



**OSRAM**  
PrevaLED COIN 111

	LUMEN	Rated Beam Angle	CRi	WATT	KELVIN	CODE
COB 830	2760	24.00 °	80	25.90	3000	902253024
COB 830	2650	40.00 °	80	25.90	3000	902253040
COB 830	2700	15.00 °	80	25.90	3000	902253015
COB 840	2900	24.00 °	80	25.90	4000	902254024
COB 840	2780	40.00 °	80	25.90	4000	902254040
COB 840	2830	15.00 °	80	25.90	4000	902254015
COB 830	4550	24.00 °	80	37.60	3000	902373024
COB 830	4340	40.00 °	80	37.60	3000	902373040
COB 840	4780	24.00 °	80	37.60	4000	902374024
COB 840	4560	40.00 °	80	37.60	4000	902374040

## ΣΤΟΙΧΕΙΑ ΕΠΙΚΟΙΝΩΝΙΑΣ



### **Διεύθυνση:**

2ο Χλμ Παλαιάς - Μαρκοπούλου  
Παιανία  
Τ.Κ. 190 02  
Αθήνα

### **Email:**

sales@ktfotismos.gr  
info@ktfotismos.gr

### **Website:**

www.ktlighting.gr  
www.ktlights.com

### **ΔΙΑΘΕΣΙΜΟΙ ΤΡΑΠΕΖΙΚΟΙ ΛΟΓΑΡΙΑΣΜΟΙ**

#### **EUROBANK:**

ΑΡ. ΛΟΓ.: 00260234490200759915  
IBAN: GR 9002602340000490200759915

#### **ΕΘΝΙΚΗ ΤΡΑΠΕΖΑ:**

ΑΡ. ΛΟΓ.: 140/204750-01  
IBAN: GR 5001101400000014020475001

#### **ΤΡΑΠΕΖΑ ΠΕΙΡΑΙΩΣ:**

ΑΡ. ΛΟΓ.: 5041-082757-763  
IBAN: GR 6101720410005041082757763

#### **ΔΙΚΑΙΟΥΧΟΣ:**

ΤΣΟΝΓΚΡΗΣ - ΚΟΝΔΥΛΗΣ Ι.Κ.Ε.



2nd km. Leof. Paianias - Markopoulou

PO Box 44 Paiania - PC 190 02

Tel: +30 210-6645237

Fax: +30 210-6028043

[www.ktlighting.gr](http://www.ktlighting.gr)

[sales@ktfotismos.gr](mailto:sales@ktfotismos.gr)