

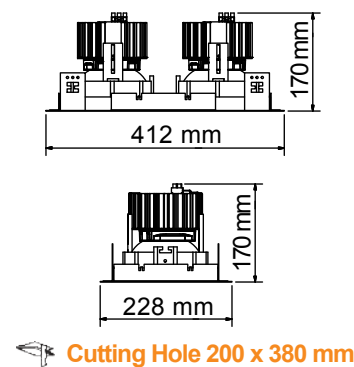


CIRCO DUBLU AC CUBE LED

BODY	Die cast aluminium internal spot and steel frame
SOURCE	OSRAM CUBE AC LED Module 230 V (ON BOARD)
ELECTRIC EQUIPMENT	On/Off • Push Button • Dali
CHARACTERISTICS	CCT 3000K - 4000K • CRI 80 • Protection degree IP 20 • LOR 92 • Power Factor 0,97
REGULATION	Manufactured in accordance with the Regulation EN 60598-1 and CE 93/68/EOK



CODE*	WATT	KELVIN	CRI	REFLECTOR DEGREES	LED DRIVER	COLOUR
85	37,6W (40)	3000K (30)	80 (80)	110° (110)	ON - OFF (C)	WHITE (-01)
		BLACK (-03)				
	60,8W (60)	4000K (40)				ALUMINUM (-26)
		OTHER** (-XX)				
FINAL CODE						
85	-- (WATT)	-- (KELVIN)	-- (CRI)	-- (REFLECTOR DEGREES)	-- (LED DRIVER)	-- (COLOUR)



Cutting Hole 200 x 380 mm

* To create the final product code add after their original prefix the orange numbers or letters, inside the parentheses, according to your choice. **Available in other colours, see page 10.

COLOUR TEMPERATURE KELVIN	18,8W	30,4W
	Lm	Lm
3000K	2000	3000
4000K	2000	3000

*Luminous flux & power consumption of led. Φωτεινή ροή & κατανάλωση πυρίνα led.