

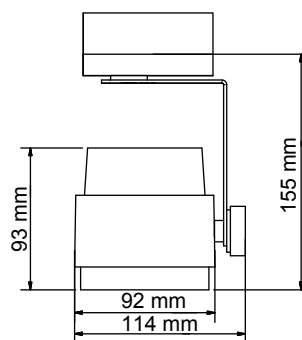




NISSOS AC LED

BODY	Die cast aluminum
SOURCE	OSRAM PrevaLED Core AC G2 230 V (ON BOARD)
ELECTRIC EQUIPMENT	On/Off
CHARACTERISTICS	CRI 83 • LOR 92 • Power Factor 0,98 • Ingress protection IP 20
REGULATION	Manufactured in accordance with the Regulation EN 60598-1 and CE 93/68/EOK
AVAILABLE	Based on wall mounting (prefix A) • Και με βάση για επίτοιχη στήριξη (πρόθεμα A)
ACCESSORY	Barndoors, code 20-K038-468622  Honeycomb, code 272128 



CODE*	WATT	KELVIN	CRI	REFLECTOR DEGREES	LED DRIVER	COLOUR
04	20W (20)	3000K (30)	80 (80)	12° (12)	ON - OFF (C)	WHITE (-01)
				40° (40)		BLACK (-03)
		4000K (40)		BASE MOUNTING** (A)	ALUMINUM (-26)	
				24° (24)		OTHER*** (-XX)
FINAL CODE						
04	-- (WATT)	-- (KELVIN)	-- (CRI)	-- (REFLECTOR DEGREES)	-- (LED DRIVER)	-- (COLOUR)

* To create the final product code add after their original prefix the **orange numbers or letters**, inside the parentheses, according to your choice. **Prefix "A" for based on wall mounting. ***Available in other colours, see page 10.

COLOUR TEMPERATURE KELVIN	20W	
	Lm	Lm/W
3000K	1816	91
4000K	1871	94

*Luminous flux & power consumption of led. Φωτεινή ροή & κατανάλωση πυρίνα led.