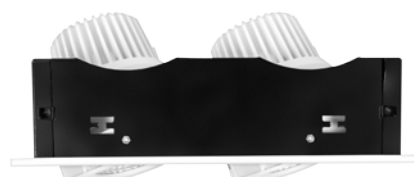


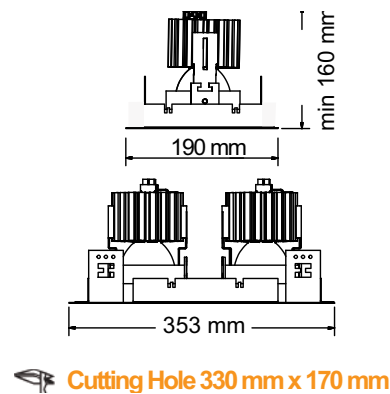


# STEALTH DUBLU COB LED

- BODY** Die cast aluminium internal spot and steel frame
- SOURCE** Chip On Board (COB) LED Module
- ELECTRIC EQUIPMENT** Constant Current LED Driver • On/Off • Push Button • Dim 1-10V • Emergency • Dali • Phase Cut
- CHARACTERISTICS** CCT 3000K - 4000K • CRI 80 • Chromaticity <3SDCM • Protection degree IP 20 • LOR 91 Power Factor 0,96
- UPON REQUEST** Constant Lumen Operation • CCT 2700K & 3500K • CRI 90 & 97
- REGULATION** Manufactured in accordance with the Regulation EN 60598-1 and CE 93/68/EOK



CODE*	WATT	KELVIN	CRI	REFLECTOR DEGREES	LED DRIVER	COLOUR
522	32,4W (1)	3000K (30)	80 (80)	12° (12)	ON - OFF (C)	WHITE (-01)
	46,4W (2)				DALI (D)	
	60,8W (3)		4000K (40)	90 (90)	24° (24)	DIM 1 - 10 V (V)
	71,8W (4)	PUSH BUTTON (B)				ALUMINUM (-26)
	83,2W (5)	97 (97)		60° (60)	PHASE CUT (P)	
	98,6W (6)				EMERGENCY (E)	
	<b>FINAL CODE</b>					
522	-- (WATT)	-- (KELVIN)	-- (CRI)	-- (REFLECTOR DEGREES)	-- (LED DRIVER)	-- (COLOUR)



\* To create the final product code add after their original prefix the **orange numbers or letters**, inside the parentheses, according to your choice. \*\*Available in other colours, see page 10.

COLOUR TEMPERATURE KELVIN	16,2W @500 mA		23,2W @700 mA		30,4W @900 mA		35,9W @1050 mA		41,6W @1200 mA		49,3W @1400 mA	
	Lm	Lm/W	Lm	Lm/W	Lm	Lm/W	Lm	Lm/W	Lm	Lm/W	Lm	Lm/W
3000K	2854	176	3899	168	4888	161	5596	156	6278	151	7247	147
4000K	3011	186	4115	177	5159	170	5907	165	6628	159	7638	155

\*Luminous flux & power consumption of led. Φωτεινή ροή & κατανάλωση πυρίνα led.